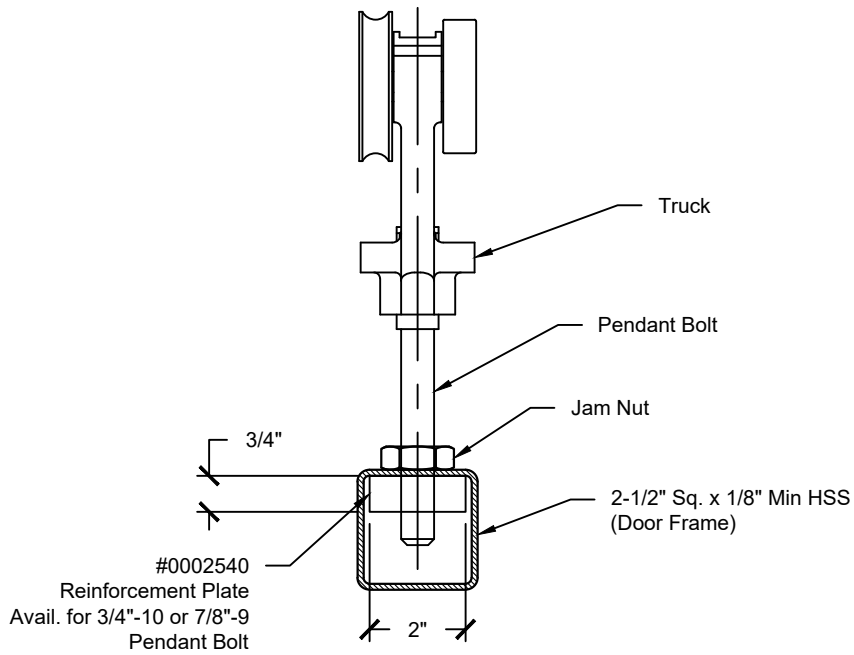
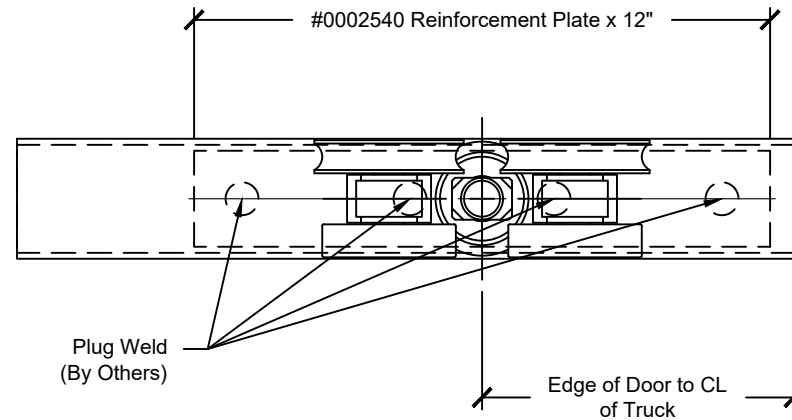


REVISIONS			
REV.	DESCRIPTION	DATE	APPROVED



1 Head Sectional



2 Plan View

-----  
 DWG #0002540  
 DESCRIP: TRUCK REINFORCEMENT PLATE  
 DRAWN:BCM 3-28-23 REV:-----  
 SCALE: 3" = 1'-0"  
 SHEET # 1  
 FILE:d:\vault\workspace\designs\\_door\970\0002540

THE INFORMATION CONTAINED IN THIS DRAWING IS THE SOLE PROPERTY OF CROWN INDUSTRIAL. ANY REPRODUCTION IN PART OR AS A WHOLE WITHOUT WRITTEN PERMISSION OF CROWN INDUSTRIAL IS PROHIBITED.



**CROWN INDUSTRIAL**  
 So. San Francisco, Ca  
 (650) 952-5150  
 www.crown-industrial.com