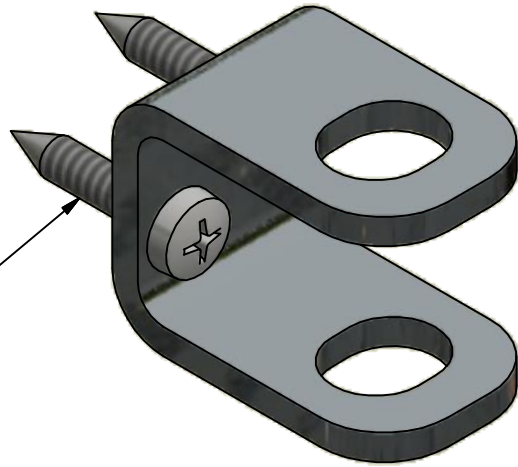


(2 ea.) PHPSMS 1/4-14 - 1 1/4  
Pan Head Phillips Sheet Metal Screw



**Available Finishes:**

- 0524PL-Z: Clear Zinc Plated w. Clear Zinc Fasteners
- 0524PL-BZ: Black Zinc Plated w. Black Zinc Fasteners
- 0524PL-S: 304 Stainless Steel w. #4 Brushed Finish, w. Stainless Steel Fasteners

**ALL DIMENSIONS IN INCHES**

THE INFORMATION CONTAINED IN THIS DRAWING IS THE SOLE PROPERTY OF CROWN INDUSTRIAL. ANY REPRODUCTION IN PART OR AS A WHOLE WITHOUT THE WRITTEN PERMISSION OF CROWN INDUSTRIAL IS PROHIBITED.	ID #:	0002804	STOCK PART #:	0524PL
	MATERIAL:			
DESCRIPTION: Pad Lockable Assembly for 524 Cane Bolt				
FINISH:			# PCS:	REV:



**CROWN INDUSTRIAL**

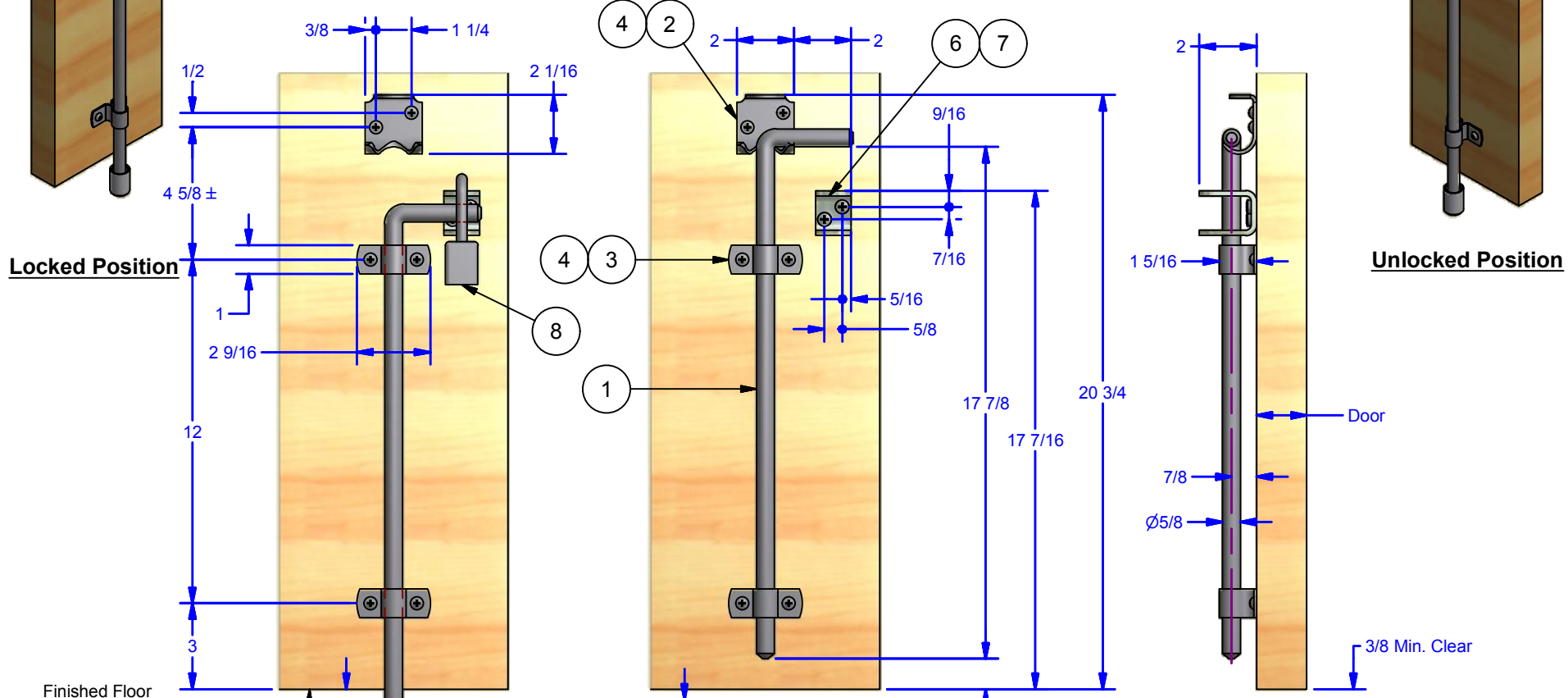
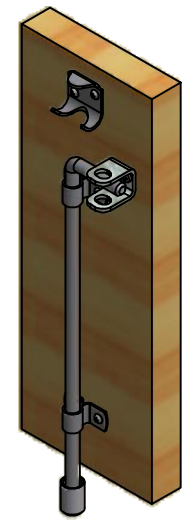
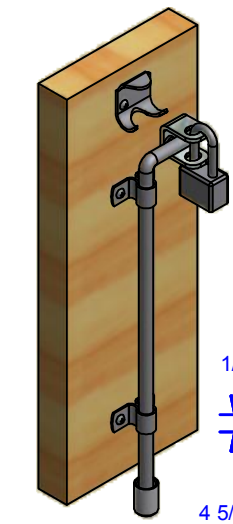
So. San Francisco, Ca  
(650) 952-5150

[www.crown-industrial.com](http://www.crown-industrial.com)

DWG #: 0524PL  
DRAWN: BCM 12/3/2018  
SHEET #1

File: 0000049.idw

Parts List			
ITEM	QTY	DESCRIPTION	STOCK #
1	1	Cane	
2	1	524p21 Cane Retainer	
3	2	524P21 Guide Clip	
4	6	Round Head Phillips Wood Screw, Zinc	14-10 x 1-1/4
5	1	524P42 Floor Insert Sleeve for 524P21 Cane Bolt	0524.00042
6	1	Pad Lockable Assembly for 524 Cane Bolt (OPTIONAL)	0524PL-Z
7	2	Pan Head Phillips Sheet Metal Screw	1/4-14 x 1 1/4
8	1	Padlock (By Others) Max. Shackle Dia: 1/2"; Min. Vertical Clear: 1-3/4"; Min. Horz. Clear: 1"	



**Locked Position**

**Unlocked Position**

**Unlocked Position**

**Locked Position**

ALL DIMENSIONS IN INCHES

THE INFORMATION CONTAINED IN THIS DRAWING IS THE SOLE PROPERTY OF CROWN INDUSTRIAL. ANY REPRODUCTION IN PART OR AS A WHOLE WITHOUT THE WRITTEN PERMISSION OF CROWN INDUSTRIAL IS PROHIBITED.

ID #: 0000478

STOCK PART #: 0524.00021

MATERIAL: Steel

DESCRIPTION: Cane Bolt 5/8" x 18"

FINISH: Clear Zinc

# PCS: B  
REV: B

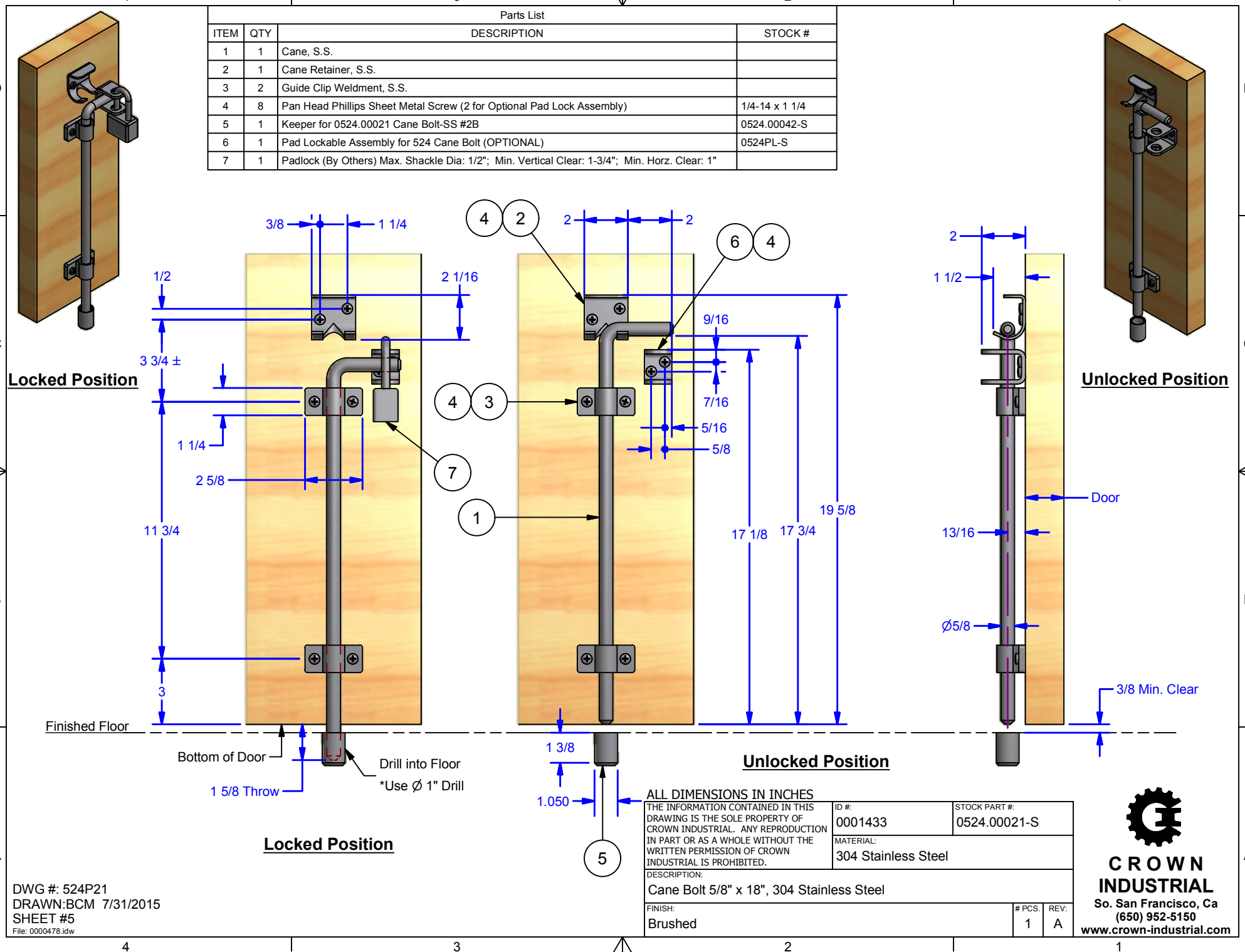
DWG #: 524P21  
DRAWN: BCM 7/31/2015  
SHEET #1  
File: 0000478.idw

\*Alternative Finish: #0524.00021BZC black zinc



**CROWN INDUSTRIAL**  
So. San Francisco, Ca  
(650) 952-5150  
www.crown-industrial.com

Parts List			
ITEM	QTY	DESCRIPTION	STOCK #
1	1	Cane, S.S.	
2	1	Cane Retainer, S.S.	
3	2	Guide Clip Weldment, S.S.	
4	8	Pan Head Phillips Sheet Metal Screw (2 for Optional Pad Lock Assembly)	1/4-14 x 1 1/4
5	1	Keeper for 0524.00021 Cane Bolt-SS #2B	0524.00042-S
6	1	Pad Lockable Assembly for 524 Cane Bolt (OPTIONAL)	0524PL-S
7	1	Padlock (By Others) Max. Shackle Dia: 1/2"; Min. Vertical Clear: 1-3/4"; Min. Horz. Clear: 1"	



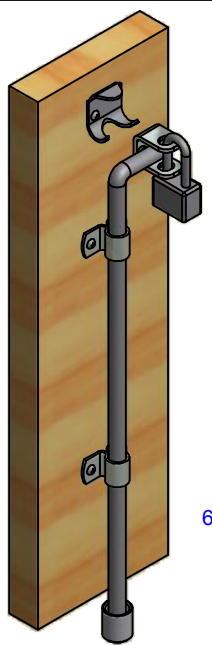
ALL DIMENSIONS IN INCHES		ID #:	STOCK PART #:
THE INFORMATION CONTAINED IN THIS DRAWING IS THE SOLE PROPERTY OF CROWN INDUSTRIAL. ANY REPRODUCTION IN PART OR AS A WHOLE WITHOUT THE WRITTEN PERMISSION OF CROWN INDUSTRIAL IS PROHIBITED.		0001433	0524.00021-S
DESCRIPTION:		MATERIAL:	
Cane Bolt 5/8" x 18", 304 Stainless Steel		304 Stainless Steel	
FINISH:	# PCS:	REV:	
Brushed	1	A	



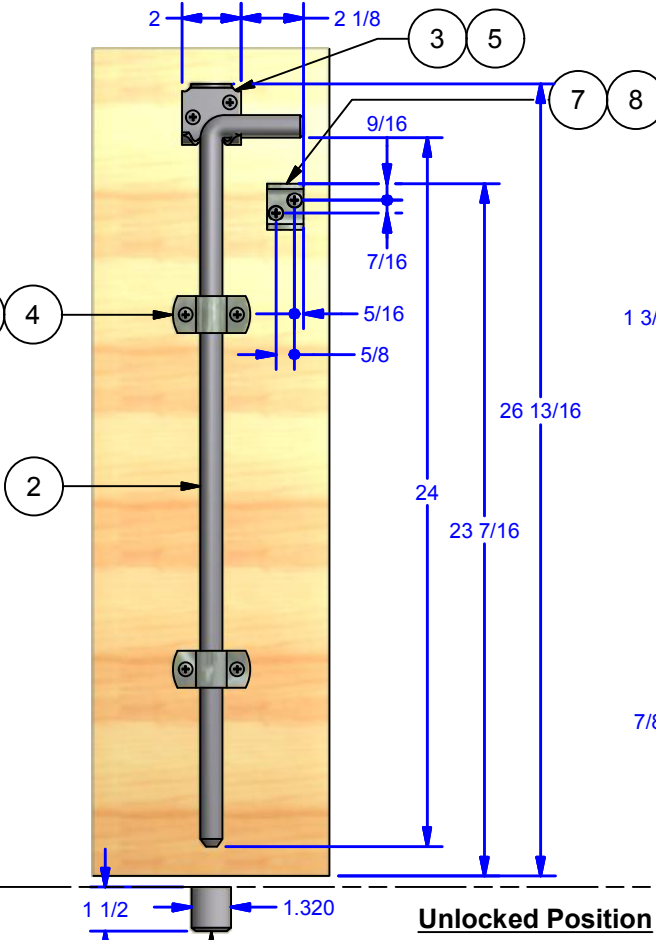
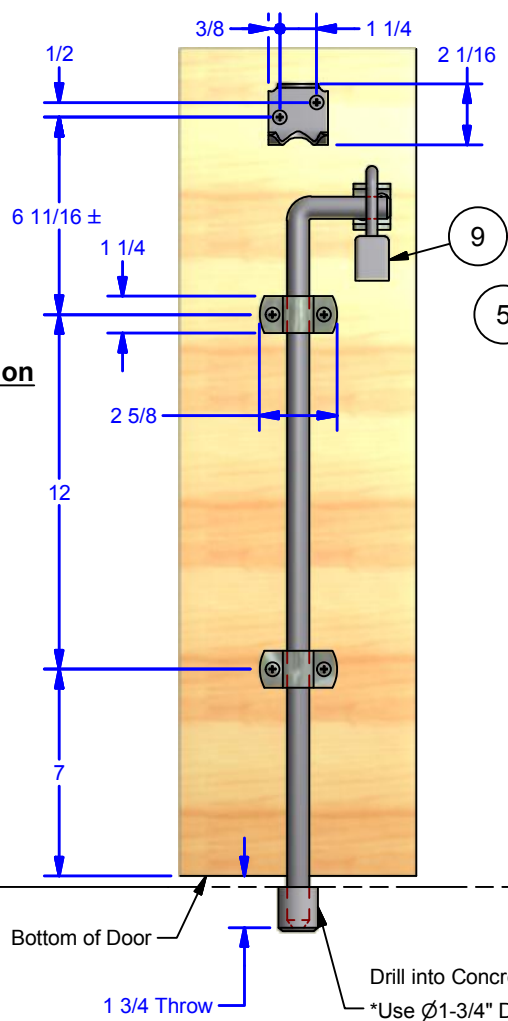
**CROWN INDUSTRIAL**  
 So. San Francisco, Ca  
 (650) 952-5150  
 www.crown-industrial.com

DWG #: 524P21  
 DRAWN: BCM 7/31/2015  
 SHEET #5  
 File: 000478.idw

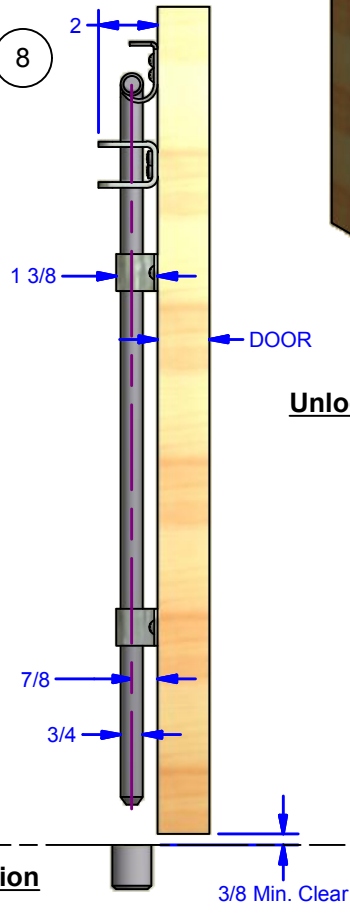
Parts List			
ITEM	QTY	DESCRIPTION	STOCK #
2	1	Cane	
3	1	524p23 Cane Retainer	
4	2	524P23 Guide Clip	
5	6	Round Head Phillips Wood Screw, Zinc	14-10 x 1-1/4
6	1	524P43 Floor Insert Sleeve for 524P23	0524.00043
7	1	Pad Lockable Assembly for 524 Cane Bolt (OPTIONAL)	0524PL-Z
8	2	Pan Head Phillips Sheet Metal Screw	1/4-14 x 1 1/4
9	1	Padlock (By Others) Max. Shackle Dia: 1/2"; Min. Vertical Clear: 1-3/4"; Min. Horz. Clear: 1"	



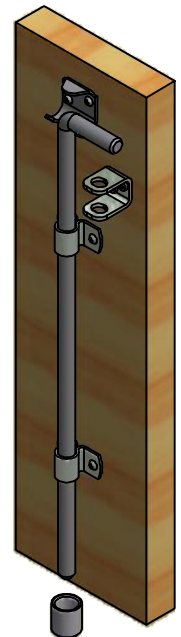
**Locked Position**



**Unlocked Position**



**Unlocked Position**



DWG #: 524P23  
 DRAWN: BCM 3/6/2009  
 SHEET #1  
 File: 0000461.idw

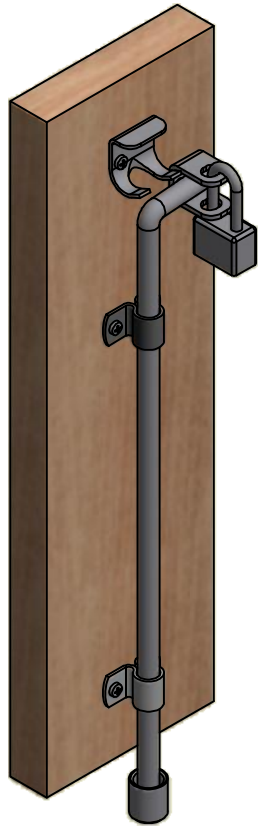
\*Alternative Finish: #0524.00023BZC black zinc

ALL DIMENSIONS IN INCHES		
THE INFORMATION CONTAINED IN THIS DRAWING IS THE SOLE PROPERTY OF CROWN INDUSTRIAL. ANY REPRODUCTION IN PART OR AS A WHOLE WITHOUT THE WRITTEN PERMISSION OF CROWN INDUSTRIAL IS PROHIBITED.	ID #: 0000461	STOCK PART #: 524P23
DESCRIPTION: Cane Bolt 3/4" x 24"	MATERIAL: Steel	
FINISH: US2C Zinc	# PCS: A	REV: A

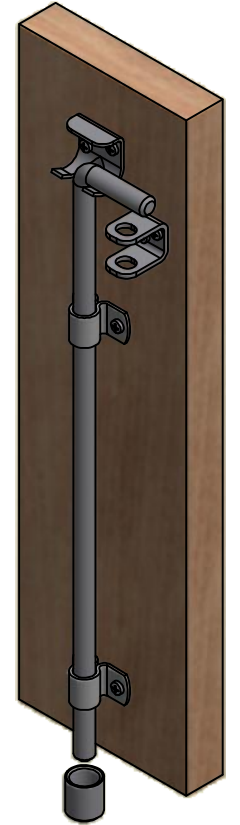
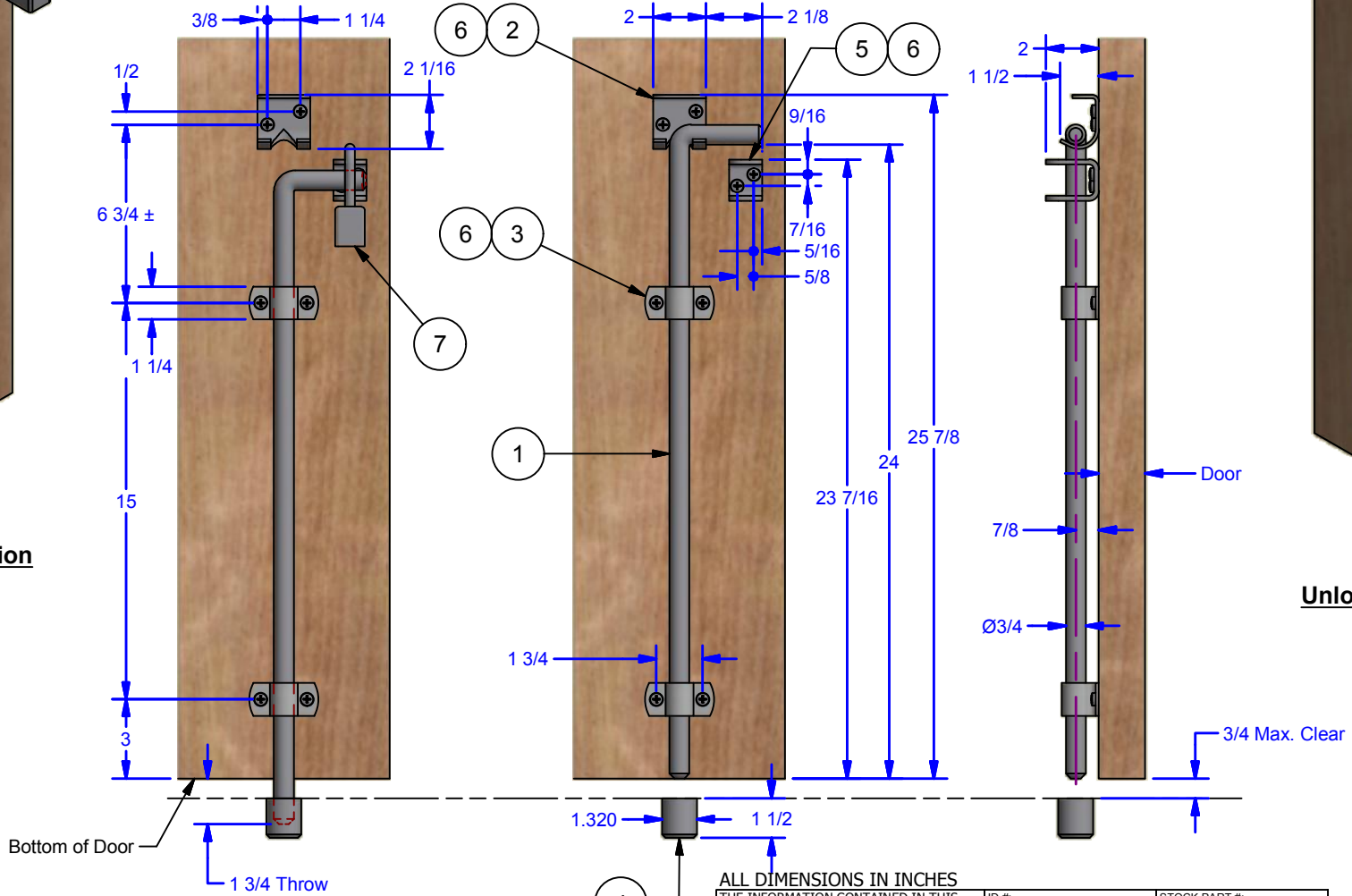


**CROWN INDUSTRIAL**  
 So. San Francisco, Ca  
 (650) 952-5150  
 www.crown-industrial.com

Parts List			
ITEM	QTY	DESCRIPTION	STOCK #
1	1	524P23 Cane, S.S.	
2	1	Cane Retainer, S.S.	
3	2	524P23 Guide Clip, Stainless Steel	
4	1	Keeper for 0524.00023 Cane Bolt-SS #2B	0524.00043-S
5	1	Pad Lockable Assembly for 524 S.S. Cane Bolt	0524PL-S
6	8	Pan Head Phillips Sheet Metal Screw	1/4-14 x 1 1/4
7	1	Padlock (By Others)	



**Locked Position**



**Unlocked Position**

**ALL DIMENSIONS IN INCHES**

THE INFORMATION CONTAINED IN THIS DRAWING IS THE SOLE PROPERTY OF CROWN INDUSTRIAL. ANY REPRODUCTION IN PART OR AS A WHOLE WITHOUT THE WRITTEN PERMISSION OF CROWN INDUSTRIAL IS PROHIBITED.

DESCRIPTION:

Cane Bolt 3/4" x 24", 304 Stainless Steel

FINISH:

Brushed

ID #: 0001021-1

MATERIAL: 304 Stainless Steel

STOCK PART #: 0524.00023-S

# PCS: 1  
REV: A