

4

3

2

1

D

D

C

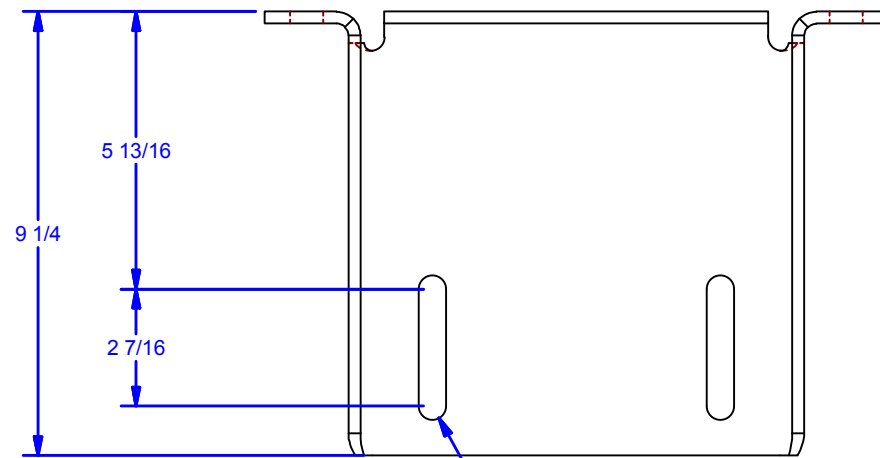
C

B

B

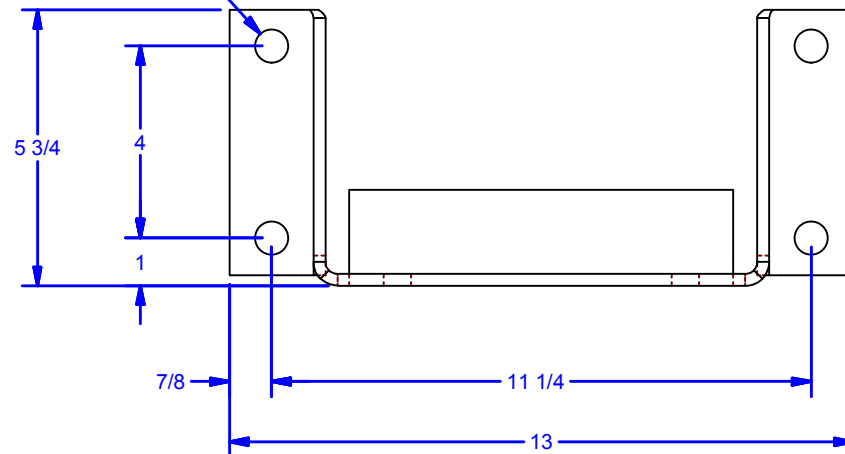
A

A

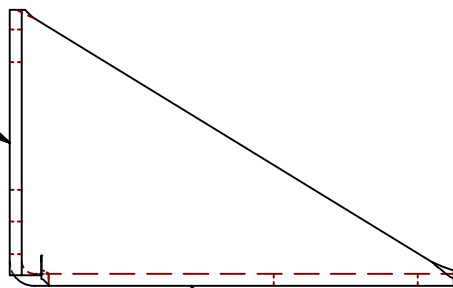


4XØ11/16 Holes  
For 5/8" Fasteners, By Others

For 1/2" Fasteners



Mount to Wall



Mount #067695  
Idler Housing Assembly

**067576-P:** Painted Finish  
**067576-HDG:** Hot Dipped Galvanized Finish

DWG #: 1265P404  
DRAWN:BCM 1/20/2010  
SHEET #2  
File: 1265P404.idw

**ALL DIMENSIONS IN INCHES**

THE INFORMATION CONTAINED IN THIS DRAWING IS THE SOLE PROPERTY OF CROWN INDUSTRIAL. ANY REPRODUCTION IN PART OR AS A WHOLE WITHOUT THE WRITTEN PERMISSION OF CROWN INDUSTRIAL IS PROHIBITED.	ID #:	1265P151	STOCK PART #:	067576
	MATERIAL:		Steel, Mild	
DESCRIPTION: Idler Support				
FINISH: Painted or Hot Dipped Galvanized			# PCS:	REV:



**CROWN INDUSTRIAL**  
So. San Francisco, Ca  
(650) 952-5150  
www.crown-industrial.com

4

3

2

1



4

3

2

1

D

D

C

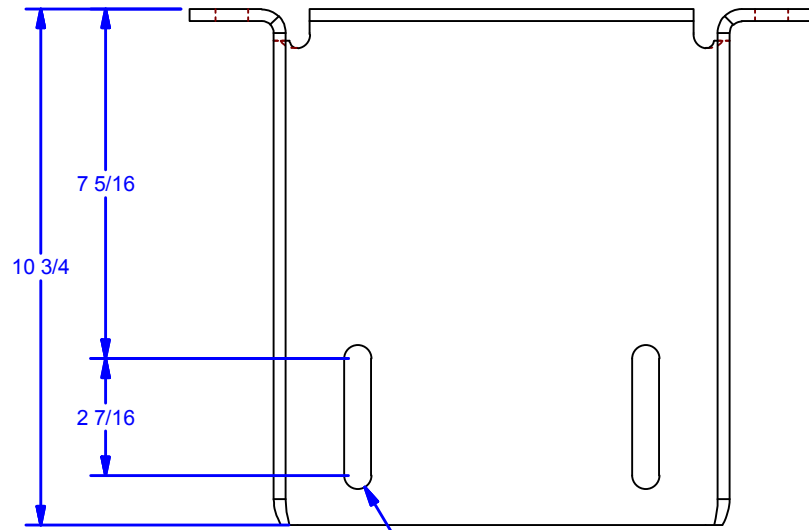
C

B

B

A

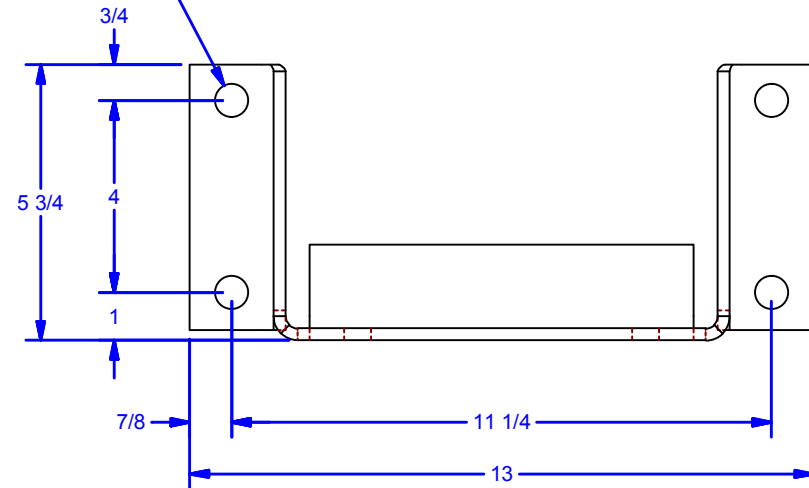
A



4XØ11/16 Holes  
For 5/8" Fasteners, By Others

Mount to Wall

Mount #067695  
Idler Housing Assembly



ALL DIMENSIONS IN INCHES

THE INFORMATION CONTAINED IN THIS DRAWING IS THE SOLE PROPERTY OF CROWN INDUSTRIAL. ANY REPRODUCTION IN PART OR AS A WHOLE WITHOUT THE WRITTEN PERMISSION OF CROWN INDUSTRIAL IS PROHIBITED.

ID #:  
1265P711

STOCK PART #:  
1265P711

MATERIAL:  
Steel, Mild

DESCRIPTION:  
Idler Support, Long

FINISH:  
PTD. or H.D.G.

# PCS:	1
REV:	



**CROWN INDUSTRIAL**

So. San Francisco, Ca  
(650) 952-5150

www.crown-industrial.com

DWG #: 1265P404  
DRAWN:BCM 12/4/2013  
SHEET #3

File: 1265P404.idw

4

3

2

1



4

3

2

1

D

D

C

C

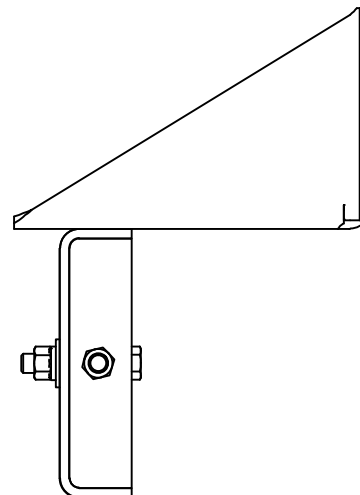
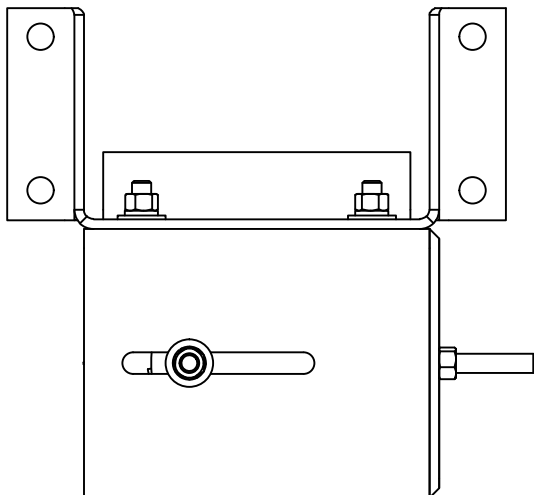
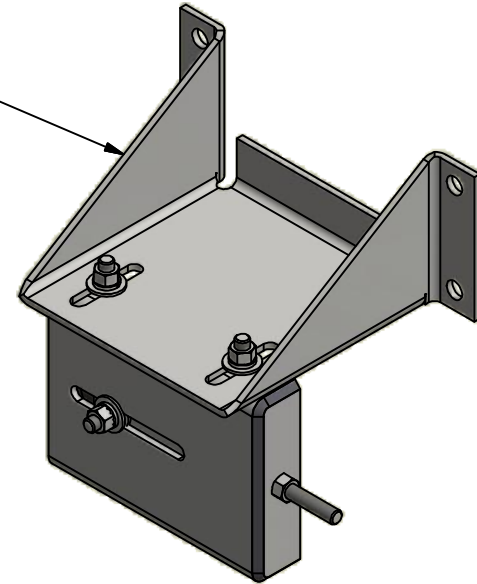
B

B

A

A

#067576 or #1265P711  
Idler Support



**ALL DIMENSIONS IN INCHES**

THE INFORMATION CONTAINED IN THIS DRAWING IS THE SOLE PROPERTY OF CROWN INDUSTRIAL. ANY REPRODUCTION IN PART OR AS A WHOLE WITHOUT THE WRITTEN PERMISSION OF CROWN INDUSTRIAL IS PROHIBITED.

ID #:  
**1265P696-02**

STOCK PART #:  
**1265P696-RH**

MATERIAL:

DESCRIPTION:  
**Idler Take-up and Support Assembly, Right Hand**

FINISH:

# PCS: **1** REV:

DWG #: 1265P404  
DRAWN:BCM 7/29/2013  
SHEET #4  
File: 1265P404.idw



**CROWN INDUSTRIAL**  
So. San Francisco, Ca  
(650) 952-5150  
www.crown-industrial.com

4

3

2

1