

4

3

2

1

D

D

C

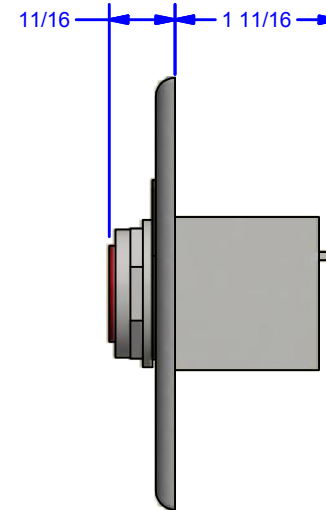
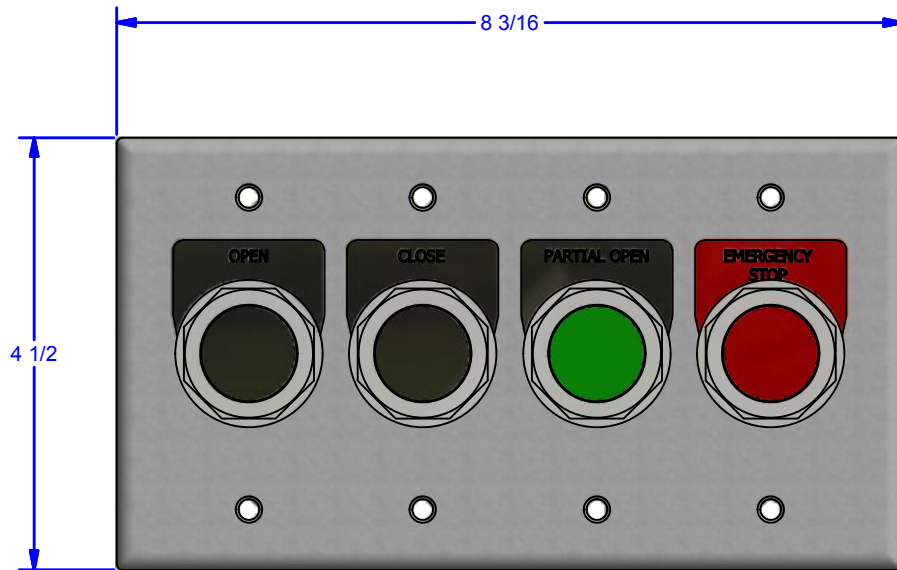
C

B

B

A

A



ALL DIMENSIONS IN INCHES

THE INFORMATION CONTAINED IN THIS DRAWING IS THE SOLE PROPERTY OF CROWN INDUSTRIAL. ANY REPRODUCTION IN PART OR AS A WHOLE WITHOUT THE WRITTEN PERMISSION OF CROWN INDUSTRIAL IS PROHIBITED.	ID #:	0002711	STOCK PART #:	072853x4ES
	MATERIAL:			
DESCRIPTION:				
Flush Mount 4 Button Station: Open / Close / Partial Open / Emer. Stop				
FINISH:			# PCS:	REV:
#4 Stainless Steel Face Plate				



CROWN INDUSTRIAL
 So. San Francisco, Ca
 (650) 952-5150
www.crown-industrial.com

DWG #: 0002283
 DRAWN: BCM 4/29/2016
 SHEET #2
 File: 0002283.idw

4

3

2

1