

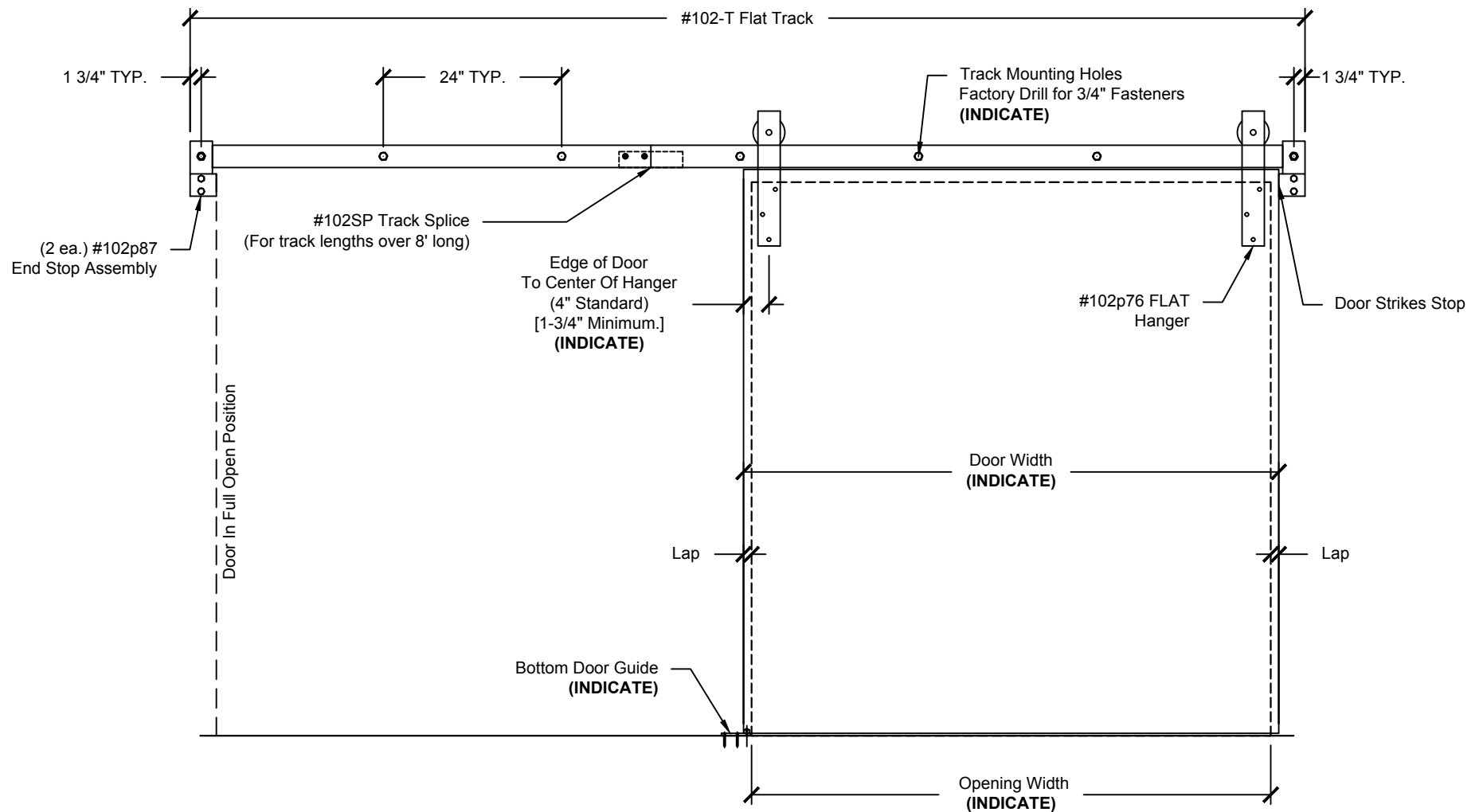
INDICATE:

1. OPENING WIDTH:
2. DOOR WIDTH:
3. DOOR THICKNESS:
4. EDGE OF DOOR TO CENTER OF HANGER:
5. PROJECTION OF MATERIALS BEYOND WALL BLOCKING:
(FOR WALL SPACER LENGTH -SEE SHEET #2)
6. FIELD OR FACTORY DRILLED TRACK MOUNTING HOLES:

DWG #102
 DESCRIP: #102p75 SINGLE SLIDE ELEVATION
 DRAWN:BCM 10-24-08
 SCALE: NONE
 SHEET # 1

FILE:z:\engineering\hardware\102\102 flat track customer

THE INFORMATION CONTAINED IN THIS DRAWING IS THE SOLE PROPERTY OF CROWN INDUSTRIAL. ANY REPRODUCTION IN PART OR AS A WHOLE WITHOUT WRITTEN PERMISSION OF CROWN INDUSTRIAL IS PROHIBITED.

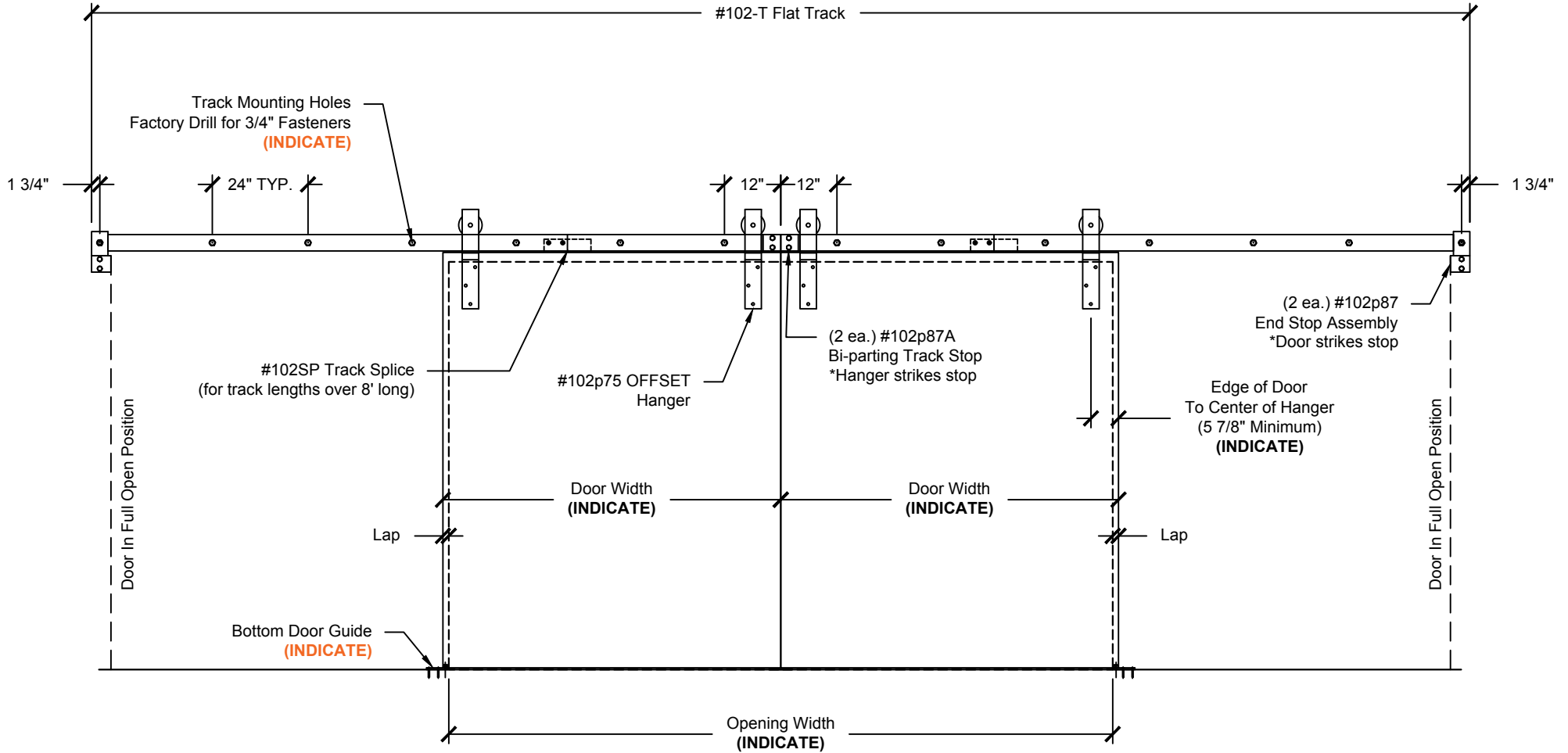


INDICATE:

1. OPENING WIDTH:
2. DOOR WIDTH:
3. DOOR THICKNESS:
4. EDGE OF DOOR TO CENTER OF HANGER:
5. PROJECTION OF MATERIALS BEYOND WALL BLOCKING:
(FOR WALL SPACER LENGTH -SEE SHEET #2)
6. FIELD OR FACTORY DRILLED TRACK MOUNTING HOLES:

DWG #102
 DESCRIP: #102p76 SINGLE SLIDE ELEVATION
 DRAWN:BCM 10-24-08
 SCALE: NONE
 SHEET # 1
 FILE:z:\engineering\hardware\102\102 flat track customer

THE INFORMATION CONTAINED IN THIS DRAWING IS THE SOLE PROPERTY OF CROWN INDUSTRIAL. ANY REPRODUCTION IN PART OR AS A WHOLE WITHOUT WRITTEN PERMISSION OF CROWN INDUSTRIAL IS PROHIBITED.



INDICATE:

1. OPENING WIDTH:
2. DOOR WIDTH:
3. DOOR THICKNESS:
4. EDGE OF DOOR TO CENTER OF HANGER:
5. PROJECTION OF MATERIALS BEYOND WALL BLOCKING:
(FOR WALL SPACER LENGTH -SEE SHEET #2)
6. FIELD OR FACTORY DRILLED TRACK HOLES:

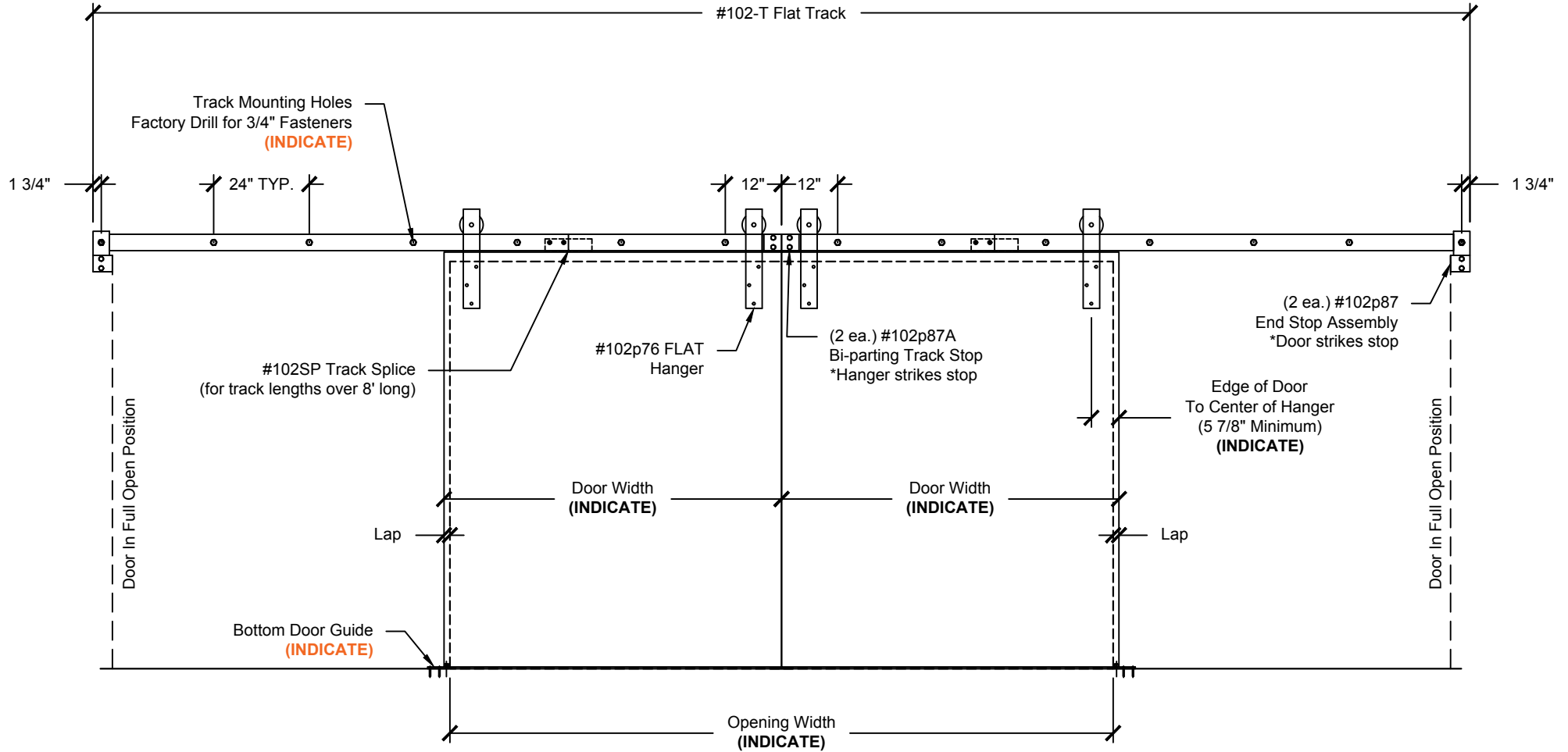
DWG #102
 DESCRIP: #102p75 BIPARTING ELEVATION
 DRAWN:BCM 10-24-08
 SCALE: NONE
 SHEET # 1

FILE:z:\engineering\hardware\102\102 flat track customer

THE INFORMATION CONTAINED IN THIS DRAWING IS THE SOLE PROPERTY OF CROWN INDUSTRIAL. ANY REPRODUCTION IN PART OR AS A WHOLE WITHOUT WRITTEN PERMISSION OF CROWN INDUSTRIAL IS PROHIBITED.



CROWN INDUSTRIAL
 So. San Francisco, Ca
 (650) 952-5150
 www.crown-industrial.com



- INDICATE:**
1. OPENING WIDTH:
 2. DOOR WIDTH:
 3. DOOR THICKNESS:
 4. EDGE OF DOOR TO CENTER OF HANGER:
 5. PROJECTION OF MATERIALS BEYOND WALL BLOCKING:
(FOR WALL SPACER LENGTH -SEE SHEET #2)
 6. FIELD OR FACTORY DRILLED TRACK HOLES:

DWG #102
 DESCRIP: #102p76 BIPARTING ELEVATION
 DRAWN:BCM 10-24-08
 SCALE: NONE
 SHEET # 1
 FILE:z:\engineering\hardware\102\102 flat track customer

THE INFORMATION CONTAINED IN THIS DRAWING IS THE SOLE PROPERTY OF CROWN INDUSTRIAL. ANY REPRODUCTION IN PART OR AS A WHOLE WITHOUT WRITTEN PERMISSION OF CROWN INDUSTRIAL IS PROHIBITED.



Projection of Materials
Beyond Wall Blocking
(i.e. Sheetrock, Trim, Baseboard)
(INDICATE)

3/8" Minimum Clearance

#102T Track
3/8"x3-1/2"

3/4" Fastener
(By Others
@ 24" Centers Approx.)

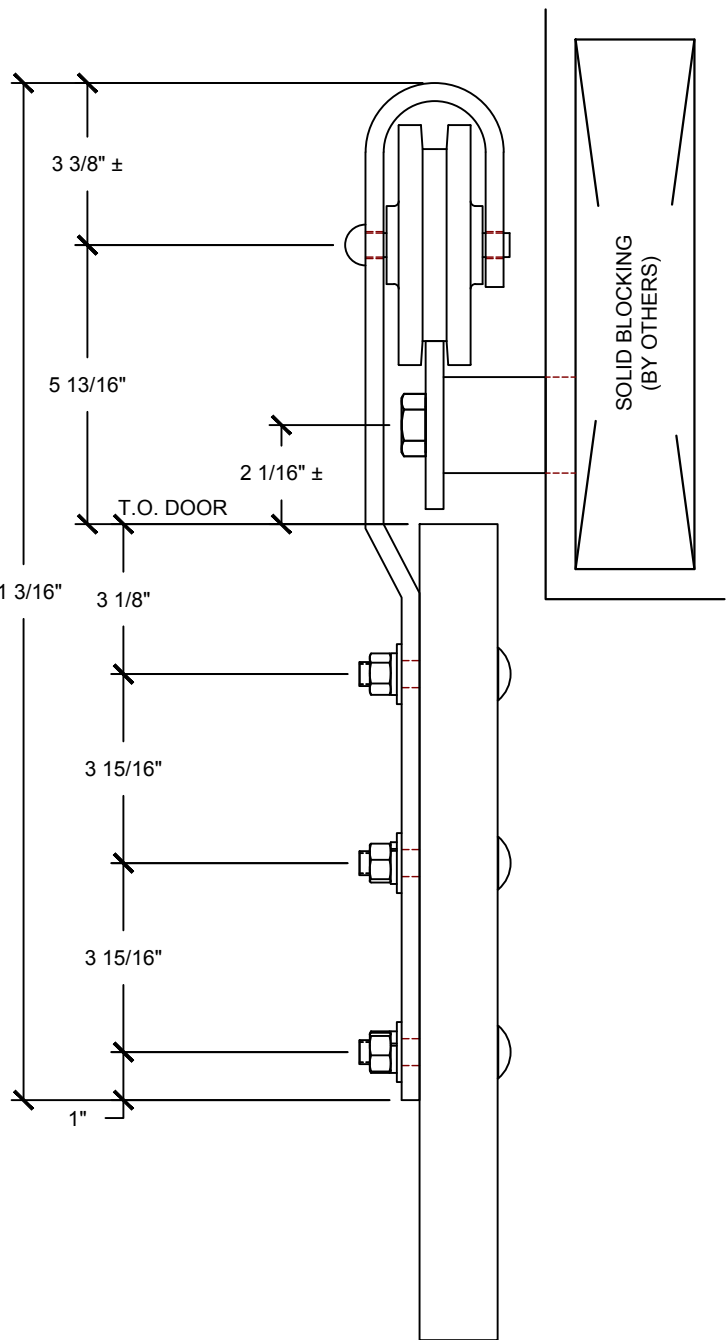
#102WS 3/4" I.D. Wallspacer

1" Clear
(1/2" Minimum)

1/2" Fasteners
(By Others)

#102P75 OFFSET Hanger
3/8" x 3-1/2"

1 5/8" TYP.
Door Thickness
(INDICATE)



4

3

2

1

D

D

C

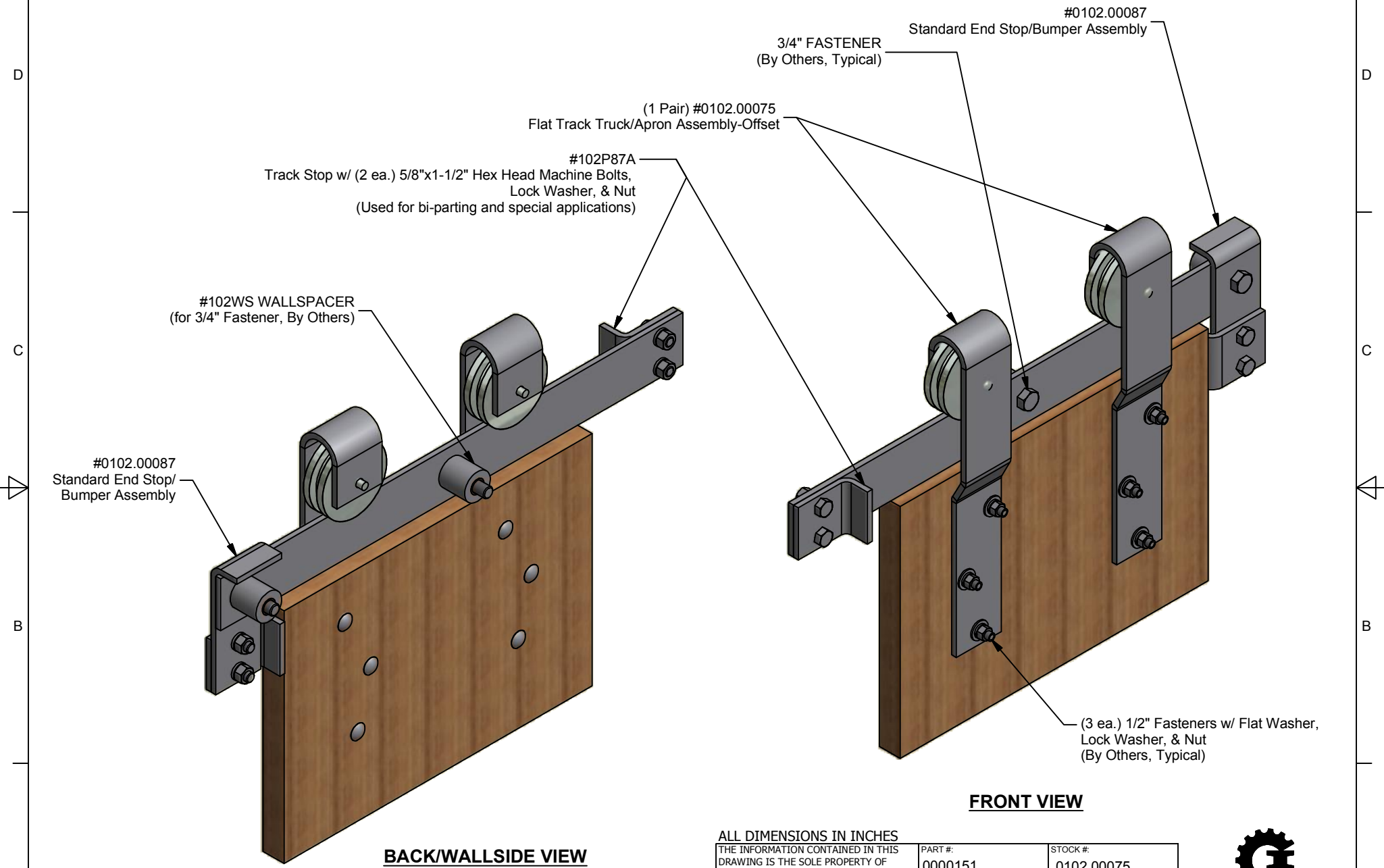
C

B

B

A

A



BACK/WALLSIDE VIEW

FRONT VIEW

NOTE: ALL WALLSPACERS MUST COME IN DIRECT CONTACT WITH SOLID BLOCKING

DWG #: 0001544
DRAWN:BCM 6/1/2007
SHEET #2
File: 0001544.idw

ALL DIMENSIONS IN INCHES

THE INFORMATION CONTAINED IN THIS DRAWING IS THE SOLE PROPERTY OF CROWN INDUSTRIAL. ANY REPRODUCTION IN PART OR AS A WHOLE WITHOUT THE WRITTEN PERMISSION OF CROWN INDUSTRIAL IS PROHIBITED.

DESCRIPTION:
#102 FLAT TRACK ASSEMBLY

FINISH:

PART #: 0000151

STOCK #: 0102.00075

MATERIAL:

PCS: 1
REV:



CROWN INDUSTRIAL
So. San Francisco, Ca
(650) 952-5150
www.crown-industrial.com

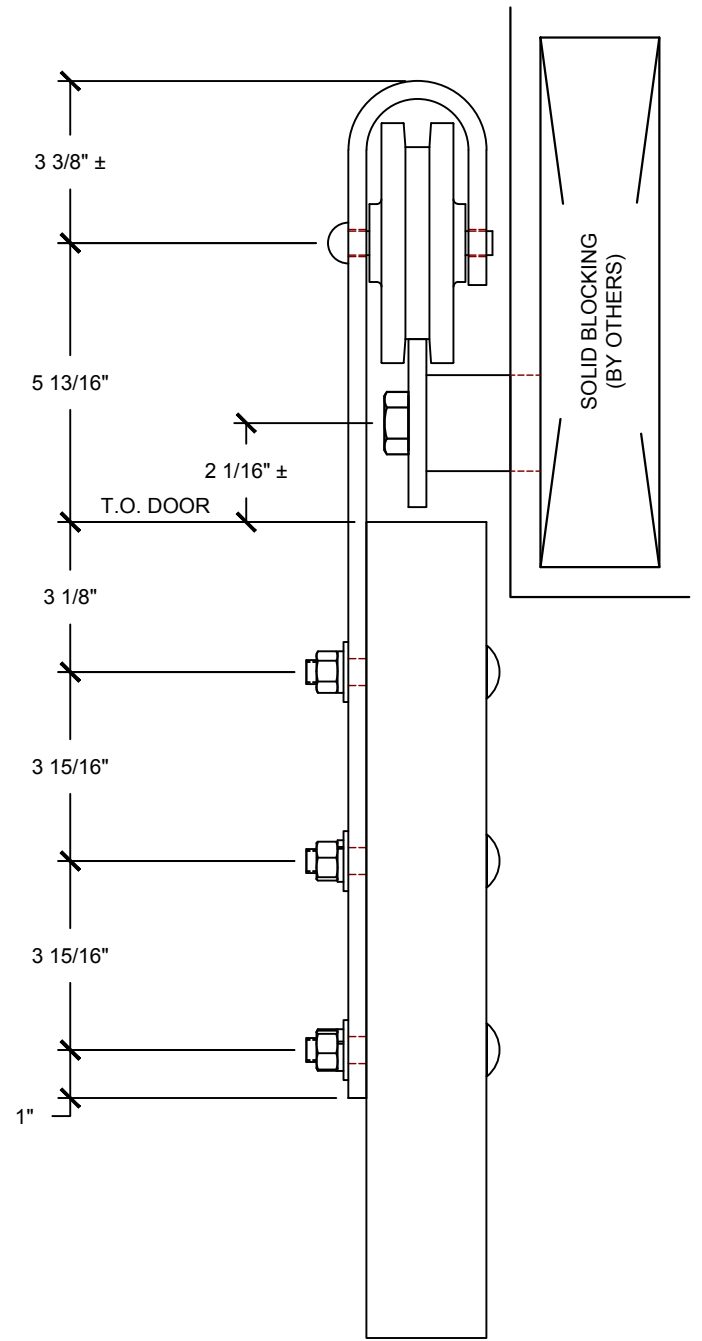
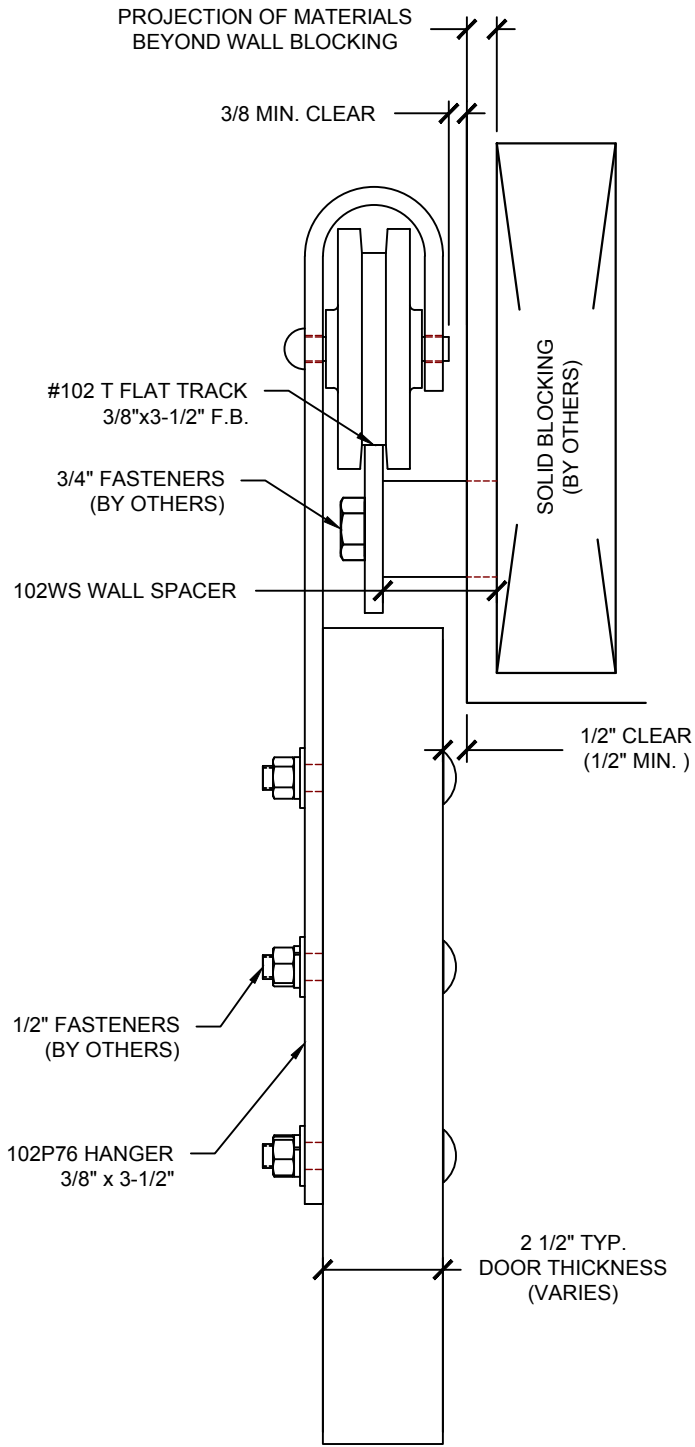
4

3

2

1





DWG #102
 DESCRIP: 102P76 HEAD SECTION
 DRAWN:BCM 10-24-08
 SCALE: NONE
 SHEET # 2
 FILE:z:\engineering\hardware\102\102 flat track customer

THE INFORMATION CONTAINED IN THIS
 DRAWING IS THE SOLE PROPERTY OF CROWN
 INDUSTRIAL. ANY REPRODUCTION IN PART OR
 AS A WHOLE WITHOUT WRITTEN PERMISSION
 OF CROWN INDUSTRIAL IS PROHIBITED.



**CROWN
 INDUSTRIAL**
 So. San Francisco, Ca
 (650) 952-5150
 www.crown-industrial.com

4

3

2

1

D

D

C

C

B

B

A

A

#0102.00087
Standard End Stop/
Bumper Assembly

#102WS WALLSPACER
(for 3/4" Fastener, By Others)

Track Stop w/ (2 ea.) 5/8"x1-1/2" Hex Head Machine Bolts,
Lock Washer, & Nut
(Used for bi-parting and special applications)

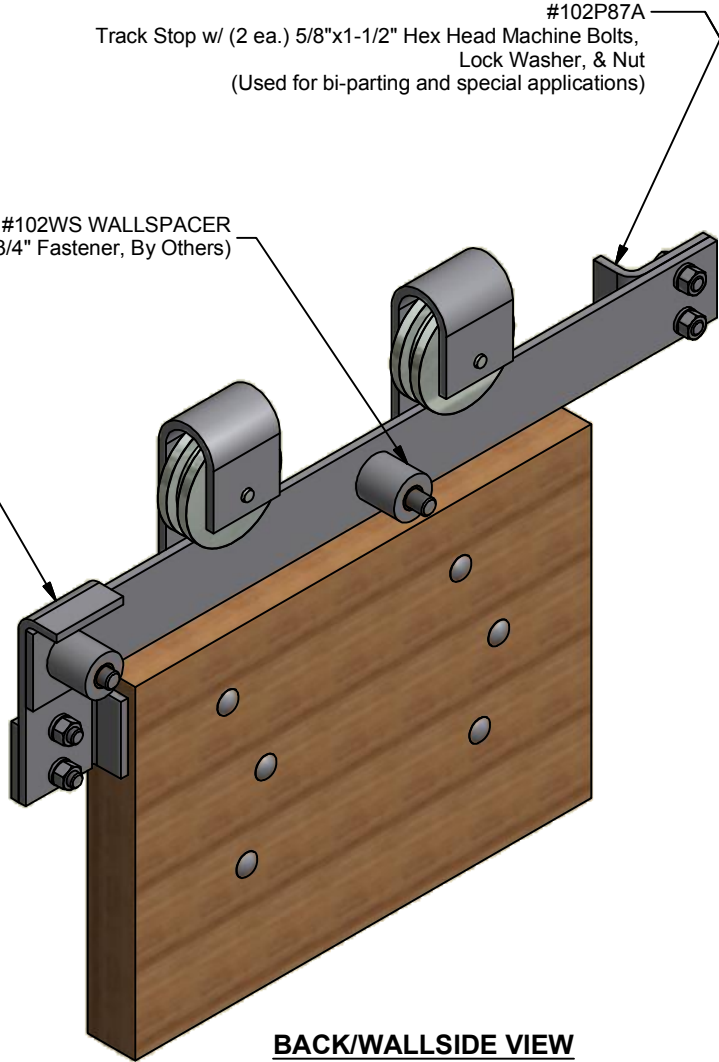
#102P87A

3/4" FASTENER
(By Others, Typical)
(1 Pair) #0102.00076
Flat Track Truck/Apron Assembly-Straight

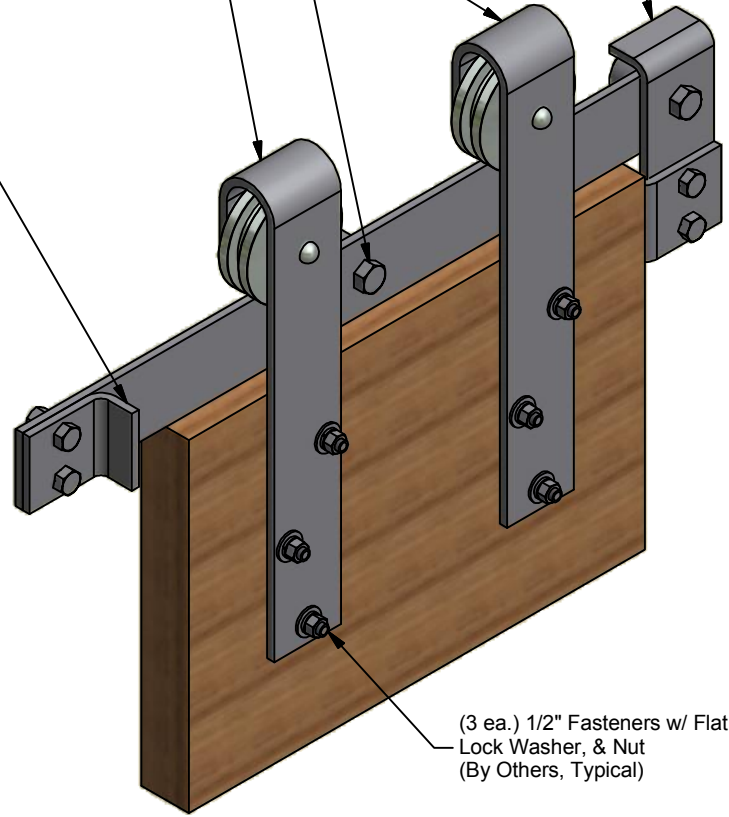
Standard End Stop/Bumper Assembly
#0102.00087

#0102.00087

(3 ea.) 1/2" Fasteners w/ Flat Washer,
Lock Washer, & Nut
(By Others, Typical)



BACK/WALLSIDE VIEW



FRONT VIEW

NOTE: ALL WALLSPACERS MUST COME IN DIRECT CONTACT WITH SOLID BLOCKING

DWG #: 0001544
DRAWN:BCM 6/1/2007
SHEET #1
File: 0001544.idw

ALL DIMENSIONS IN INCHES

THE INFORMATION CONTAINED IN THIS DRAWING IS THE SOLE PROPERTY OF CROWN INDUSTRIAL. ANY REPRODUCTION IN PART OR AS A WHOLE WITHOUT THE WRITTEN PERMISSION OF CROWN INDUSTRIAL IS PROHIBITED.

DESCRIPTION:
#102 FLAT TRACK ASSEMBLY

FINISH:

PART #: 0000151

MATERIAL:

STOCK #: 0102.00076

PCS: 1
REV:



CROWN INDUSTRIAL
So. San Francisco, Ca
(650) 952-5150
www.crown-industrial.com

4

3

2

1

