

4

3

2

1

D

D

C

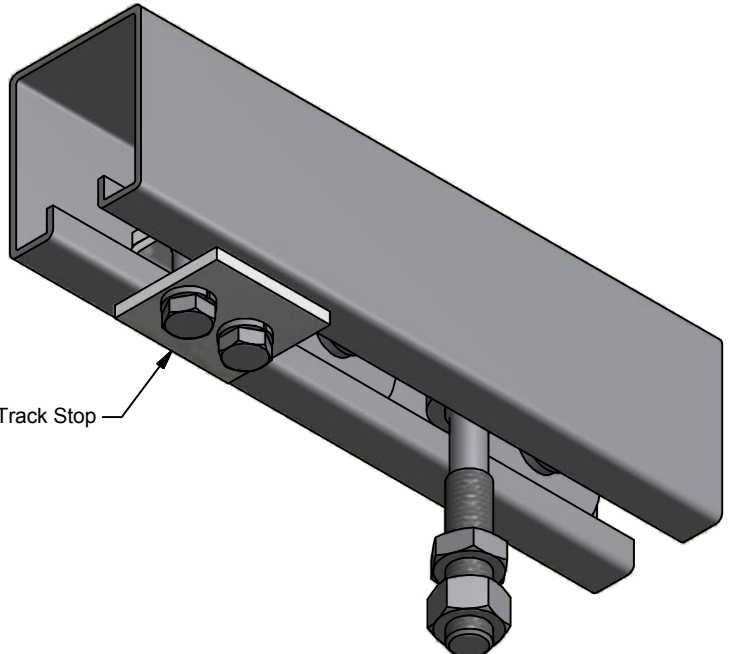
C

B

B

A

A

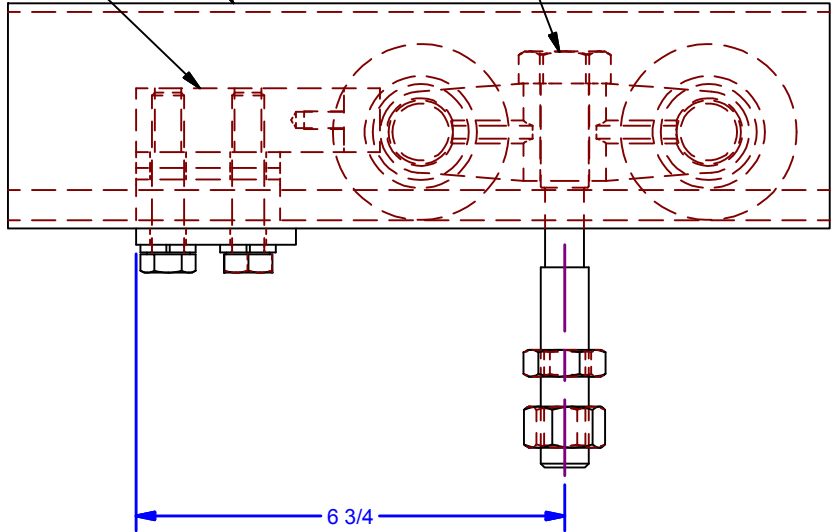


#10.00CSTR Concealed Track Stop

#10 Truck or Hanger Assembly

#10 Track

#10.00CSTR Concealed Track Stop



6 3/4

ALL DIMENSIONS IN INCHES

THE INFORMATION CONTAINED IN THIS DRAWING IS THE SOLE PROPERTY OF CROWN INDUSTRIAL. ANY REPRODUCTION IN PART OR AS A WHOLE WITHOUT THE WRITTEN PERMISSION OF CROWN INDUSTRIAL IS PROHIBITED.

PART #:	0001902
MATERIAL:	

STOCK #:	10.00CSTR
----------	-----------

DESCRIPTION:  
Concealed Track Stop Layout

FINISH:	
---------	--

# PCS:	1
REV:	



**CROWN INDUSTRIAL**

So. San Francisco, Ca  
(650) 952-5150

[www.crown-industrial.com](http://www.crown-industrial.com)

DWG #: 0001828  
DRAWN:BCM 2/20/2015  
SHEET #5  
File: 0001828.idw

4

3

2

1