

4

3

2

1

D

D

C

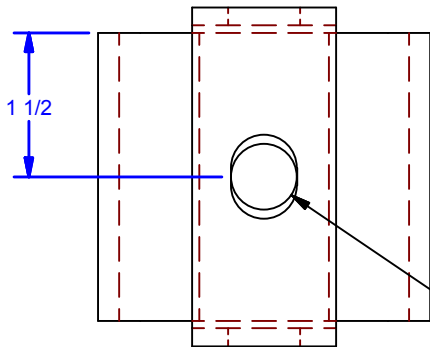
C

B

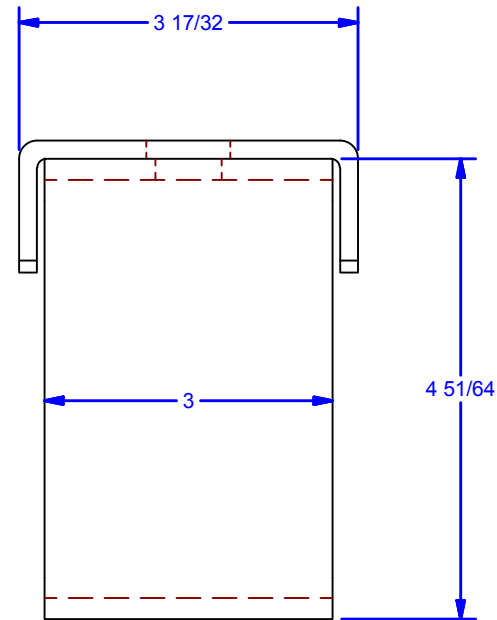
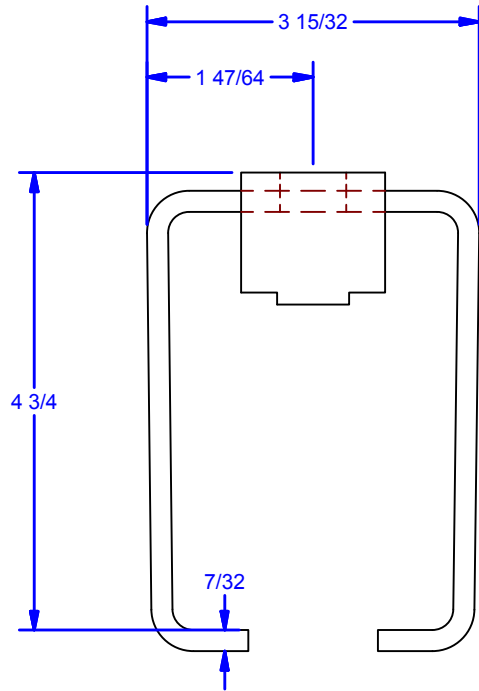
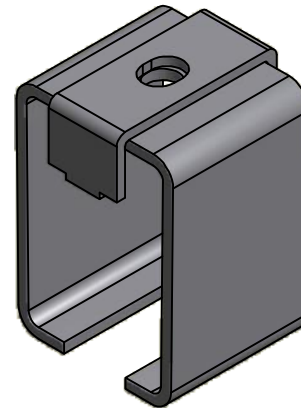
B

A

A



Ø11/16 THRU
For 5/8 Hex Head Bolt



ALL DIMENSIONS IN INCHES

THE INFORMATION CONTAINED IN THIS DRAWING IS THE SOLE PROPERTY OF CROWN INDUSTRIAL. ANY REPRODUCTION IN PART OR AS A WHOLE WITHOUT THE WRITTEN PERMISSION OF CROWN INDUSTRIAL IS PROHIBITED.

DESCRIPTION:

Overhead Joint Bracket

FINISH:

PART #: 0000819

MATERIAL:

STOCK #: 10x189

# PCS:	1
REV:	

DWG #: #10
DRAWN:BCM 7/6/2010
SHEET #8
File: 0000817.idw



CROWN INDUSTRIAL

So. San Francisco, Ca
(650) 952-5150

www.crown-industrial.com

4

3

2

1

