

4

3

2

1

D

D

C

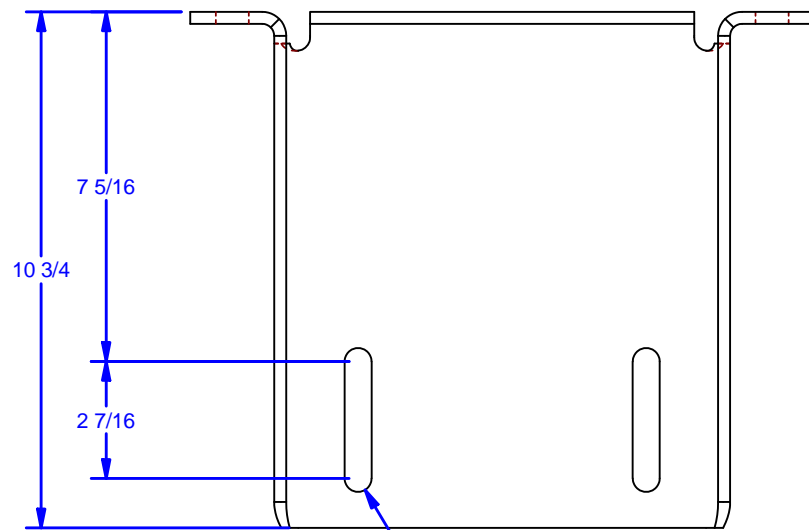
C

B

B

A

A

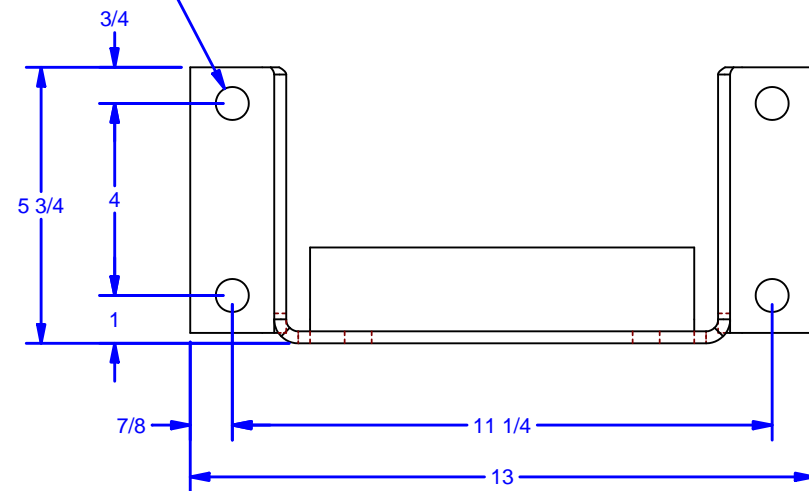


4XØ11/16 Holes
For 5/8" Fasteners, By Others

For 1/2" Fasteners

Mount to Wall

Mount #067695
Idler Housing Assembly



ALL DIMENSIONS IN INCHES

| | | |
|--|--------------------------|---------------------------|
| THE INFORMATION CONTAINED IN THIS DRAWING IS THE SOLE PROPERTY OF CROWN INDUSTRIAL. ANY REPRODUCTION IN PART OR AS A WHOLE WITHOUT THE WRITTEN PERMISSION OF CROWN INDUSTRIAL IS PROHIBITED. | ID #: 1265P711 | STOCK PART #: 1265P711 |
| | MATERIAL: Steel, Mild | |
| DESCRIPTION: Idler Support, Long | | |
| FINISH: PTD. or H.D.G. | # PCS: 1 | REV: 1 |



CROWN INDUSTRIAL

So. San Francisco, Ca
(650) 952-5150

www.crown-industrial.com

DWG #: 1265P404
DRAWN:BCM 12/4/2013
SHEET #3

File: 1265P404.idw

4

3

2

1

A

4

3

2

1

D

D

C

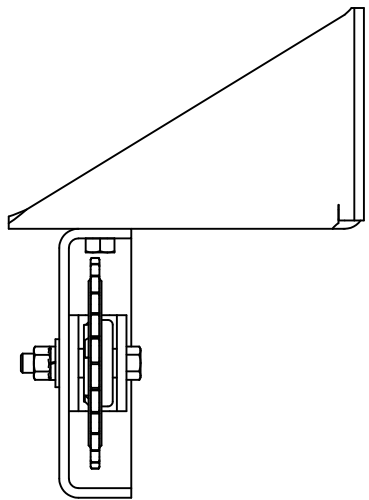
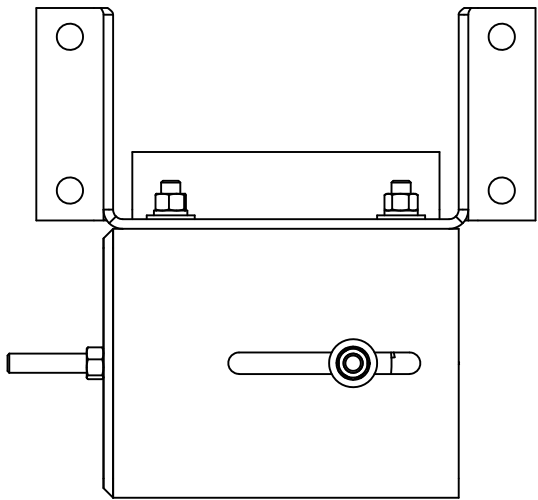
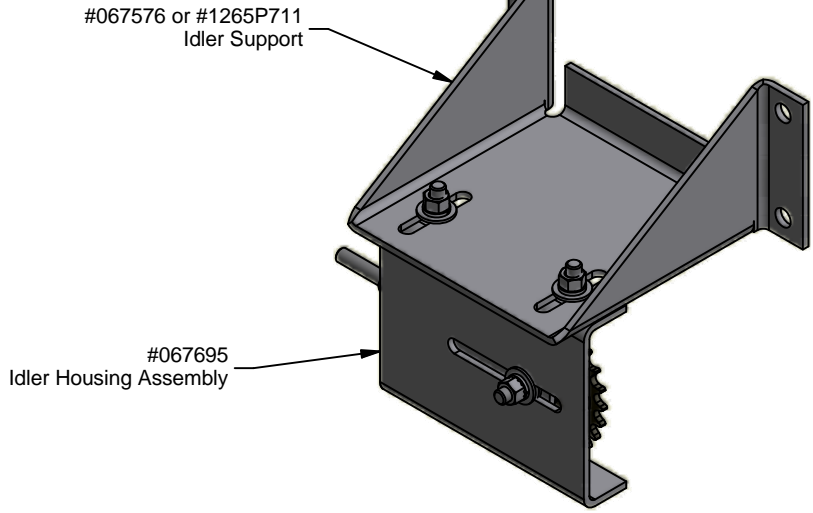
C

B

B

A

A



ALL DIMENSIONS IN INCHES

| | | | | |
|--|-----------|-------------|---------------|-------------|
| THE INFORMATION CONTAINED IN THIS DRAWING IS THE SOLE PROPERTY OF CROWN INDUSTRIAL. ANY REPRODUCTION IN PART OR AS A WHOLE WITHOUT THE WRITTEN PERMISSION OF CROWN INDUSTRIAL IS PROHIBITED. | ID #: | 1265P696-02 | STOCK PART #: | 1265P696-LH |
| | MATERIAL: | | | |
| DESCRIPTION: Idler Take-up and Support Assembly, Left Hand | | | | |
| FINISH: | | # PCS: | 1 | REV: |



CROWN INDUSTRIAL
So. San Francisco, Ca
(650) 952-5150
www.crown-industrial.com

DWG #: 1265P404
DRAWN:BCM 7/29/2013
SHEET #4
File: 1265P404.idw

4

3

2

1