

4X Countersunk Holes
For #10 Flat Head Fasteners
(By Others)

Mortise into Face of Door/Jamb

4X Ø11/32 THRU
For 5/16 Machine Screws
Or #18 R.H. Wood Screws.
(Includes 5/16" x 1-1/2" Lag Screws, zinc)

0128.00016
Horse Follower Strike Plate for 128P11 Latch

**NON TEMPLATE DRAWING,
USE FOR REFERENCE ONLY**

ALL DIMENSIONS IN INCHES

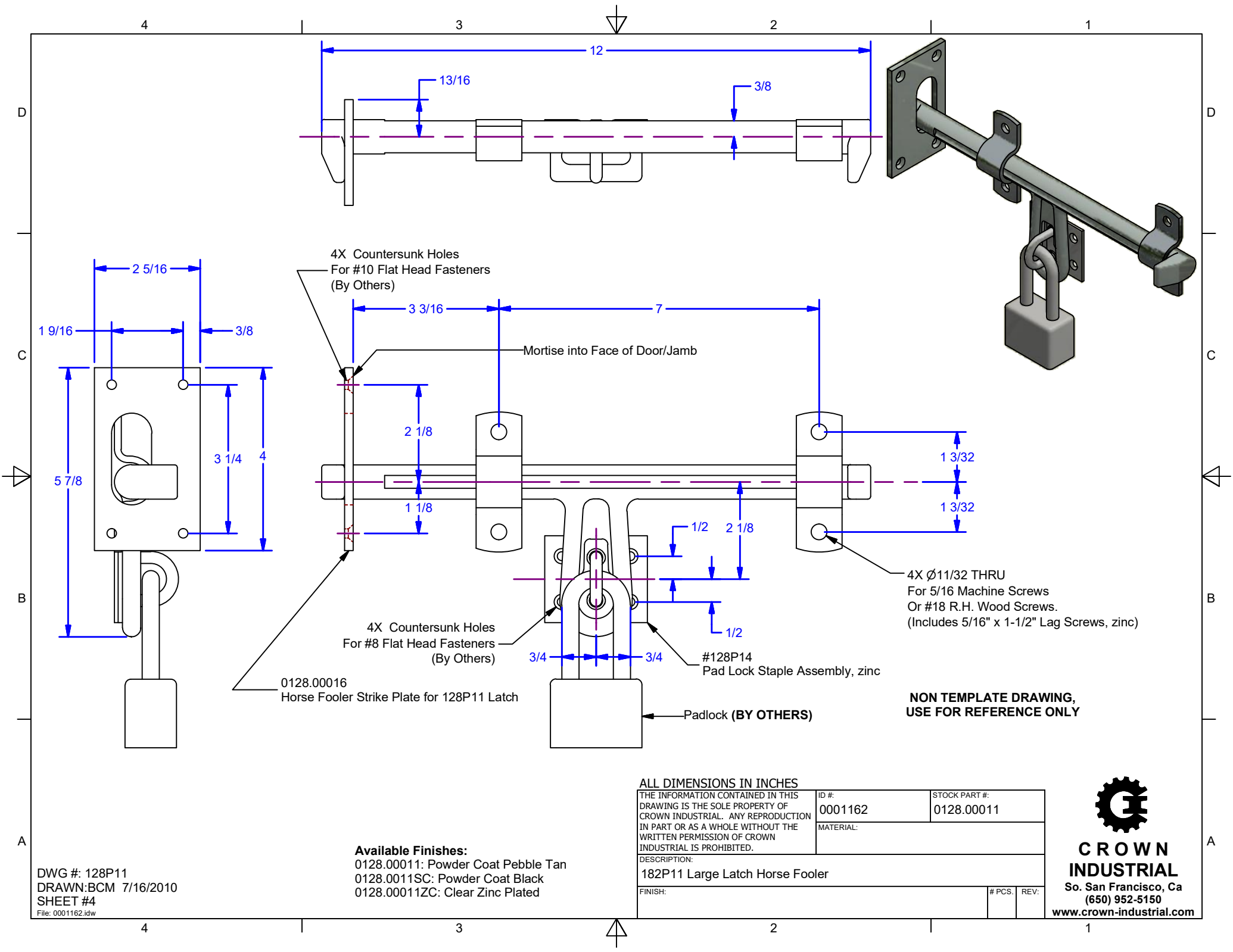
THE INFORMATION CONTAINED IN THIS DRAWING IS THE SOLE PROPERTY OF CROWN INDUSTRIAL. ANY REPRODUCTION IN PART OR AS A WHOLE WITHOUT THE WRITTEN PERMISSION OF CROWN INDUSTRIAL IS PROHIBITED.	ID #:	0001162	STOCK PART #:	0128.00011
	MATERIAL:			
DESCRIPTION: 182P11 Large Latch Horse Follower				
FINISH:			# PCS:	REV:

Available Finishes:
0128.00011: Powder Coat Pebble Tan
0128.0011SC: Powder Coat Black
0128.00011ZC: Clear Zinc Plated



CROWN INDUSTRIAL
So. San Francisco, Ca
(650) 952-5150
www.crown-industrial.com

DWG #: 128P11
DRAWN:BCM 7/16/2010
SHEET #3
File: 0001162.idw



**NON TEMPLATE DRAWING,
USE FOR REFERENCE ONLY**

DWG #: 128P11
DRAWN:BCM 7/16/2010
SHEET #4
File: 0001162.idw

Available Finishes:
0128.00011: Powder Coat Pebble Tan
0128.0011SC: Powder Coat Black
0128.00011ZC: Clear Zinc Plated

ALL DIMENSIONS IN INCHES

THE INFORMATION CONTAINED IN THIS DRAWING IS THE SOLE PROPERTY OF CROWN INDUSTRIAL. ANY REPRODUCTION IN PART OR AS A WHOLE WITHOUT THE WRITTEN PERMISSION OF CROWN INDUSTRIAL IS PROHIBITED.	ID #:	0001162	STOCK PART #:	0128.00011
	MATERIAL:			
DESCRIPTION: 182P11 Large Latch Horse Foaler				
FINISH:			# PCS:	REV:



CROWN INDUSTRIAL
So. San Francisco, Ca
(650) 952-5150
www.crown-industrial.com