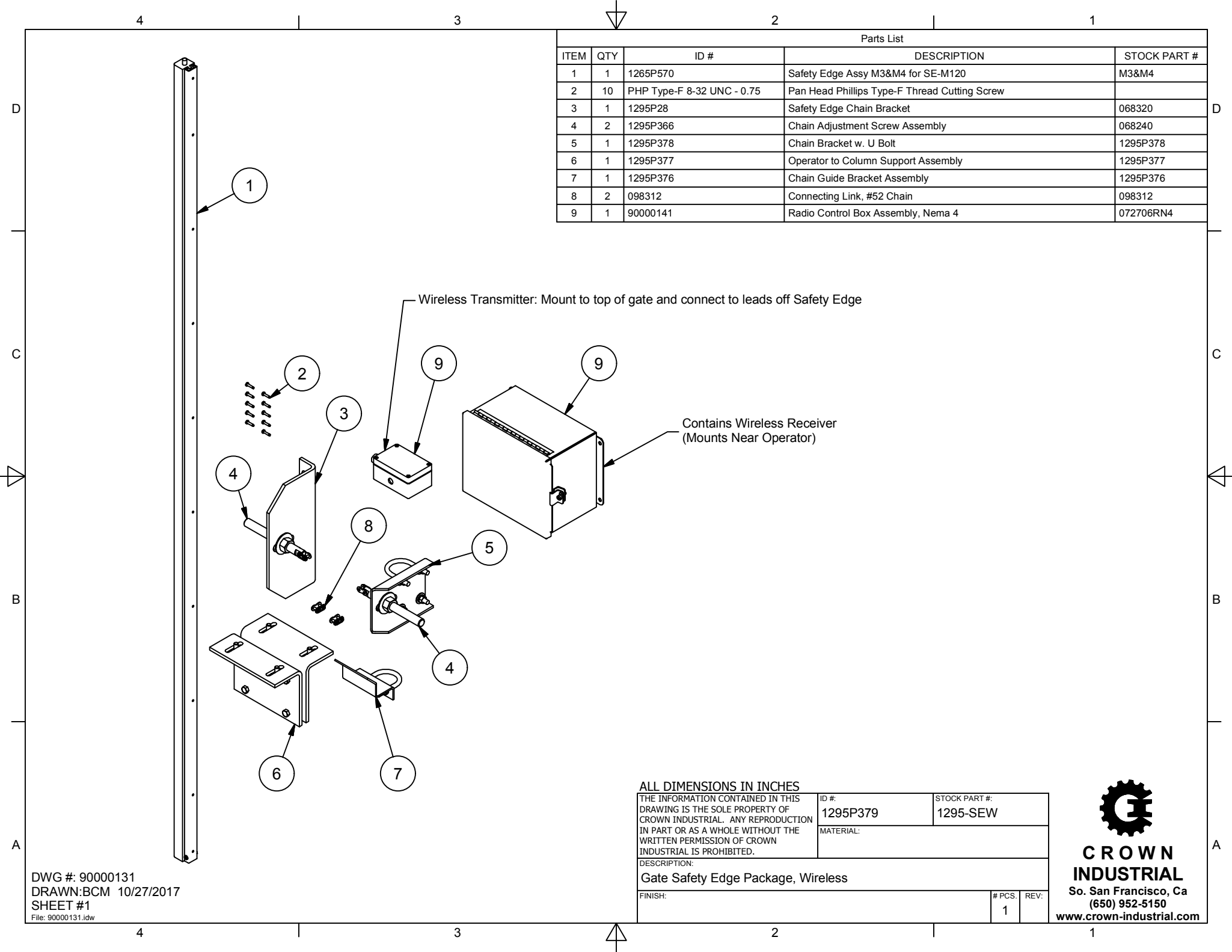


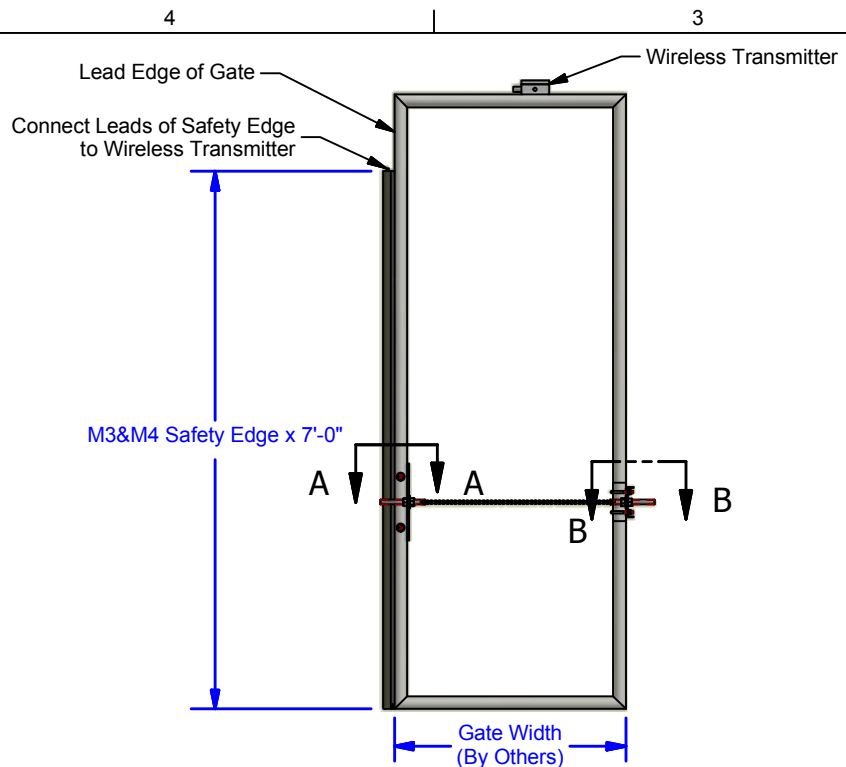
Parts List				
ITEM	QTY	ID #	DESCRIPTION	STOCK PART #
1	1	1265P570	Safety Edge Assy M3&M4 for SE-M120	M3&M4
2	10	PHP Type-F 8-32 UNC - 0.75	Pan Head Phillips Type-F Thread Cutting Screw	
3	1	1295P28	Safety Edge Chain Bracket	068320
4	2	1295P366	Chain Adjustment Screw Assembly	068240
5	1	1295P378	Chain Bracket w. U Bolt	1295P378
6	1	1295P377	Operator to Column Support Assembly	1295P377
7	1	1295P376	Chain Guide Bracket Assembly	1295P376
8	2	098312	Connecting Link, #52 Chain	098312
9	1	90000141	Radio Control Box Assembly, Nema 4	072706RN4



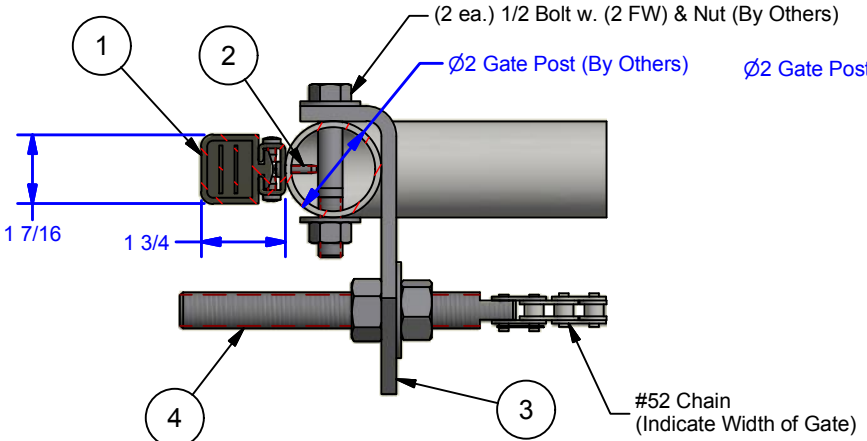
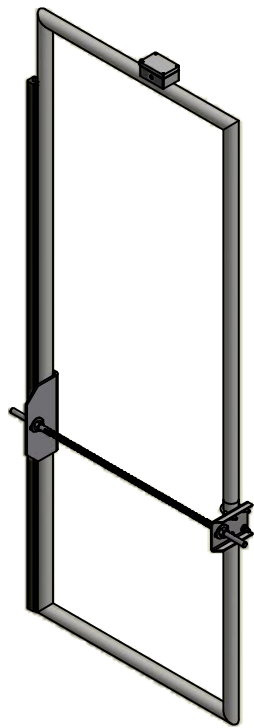
DWG #: 90000131
 DRAWN:BCM 10/27/2017
 SHEET #1
 File: 90000131.idw

ALL DIMENSIONS IN INCHES			
THE INFORMATION CONTAINED IN THIS DRAWING IS THE SOLE PROPERTY OF CROWN INDUSTRIAL. ANY REPRODUCTION IN PART OR AS A WHOLE WITHOUT THE WRITTEN PERMISSION OF CROWN INDUSTRIAL IS PROHIBITED.	ID #:	1295P379	STOCK PART #:
	MATERIAL:	1295-SEW	
DESCRIPTION: Gate Safety Edge Package, Wireless			
FINISH:	# PCS:	1	REV:

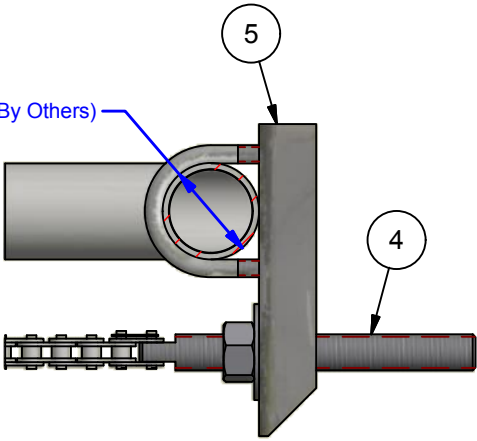
CROWN INDUSTRIAL
 So. San Francisco, Ca
 (650) 952-5150
 www.crown-industrial.com



Parts List				
ITEM	QTY	ID #	DESCRIPTION	STOCK PART #
1	1	1265P570	Safety Edge Assy M3&M4 for SE-M120	M3&M4
2	10	PHP Type-F 8-32 UNC - 0.75	Pan Head Phillips Type-F Thread Cutting Screw	
3	1	1295P28	Safety Edge Chain Bracket	068320
4	2	1295P366	Chain Adjustment Screw Assembly	068240
5	1	1295P378	Chain Bracket w. U Bolt	1295P378



SECTION A-A
SCALE 1/4



SECTION B-B
SCALE 1/4

ALL DIMENSIONS IN INCHES			
THE INFORMATION CONTAINED IN THIS DRAWING IS THE SOLE PROPERTY OF CROWN INDUSTRIAL. ANY REPRODUCTION IN PART OR AS A WHOLE WITHOUT THE WRITTEN PERMISSION OF CROWN INDUSTRIAL IS PROHIBITED.		ID #: 1295-SEW	STOCK PART #: 1295-SEW
DESCRIPTION: Gate Safety Edge Package, Wireless			
FINISH:		# PCS: 1	REV.:

CROWN INDUSTRIAL
So. San Francisco, Ca
(650) 952-5150
www.crown-industrial.com