

4

3

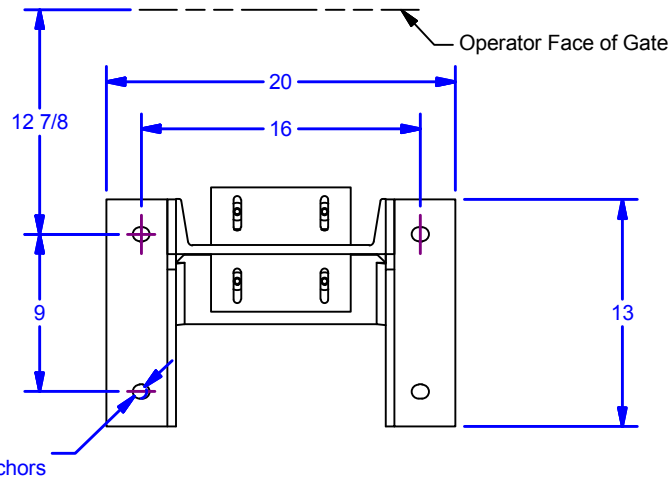
2

1



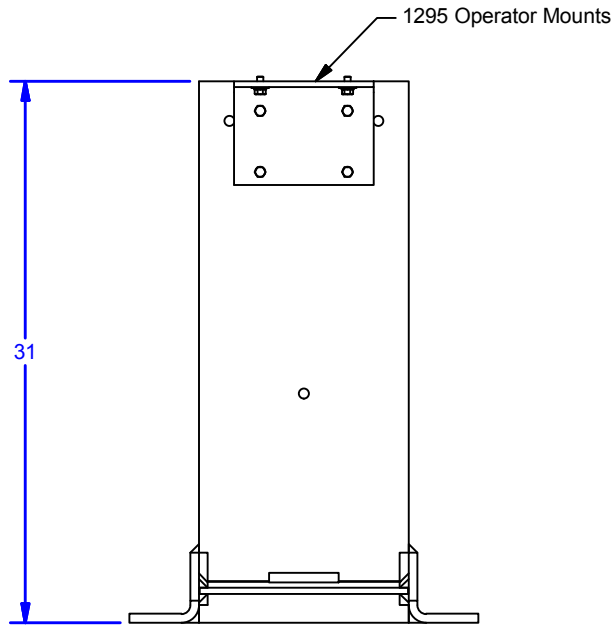
D

D



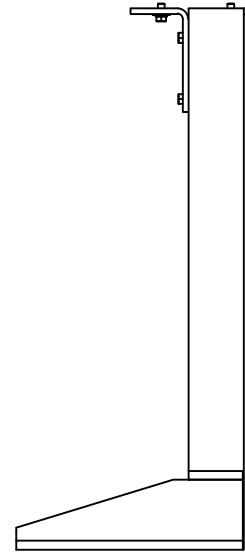
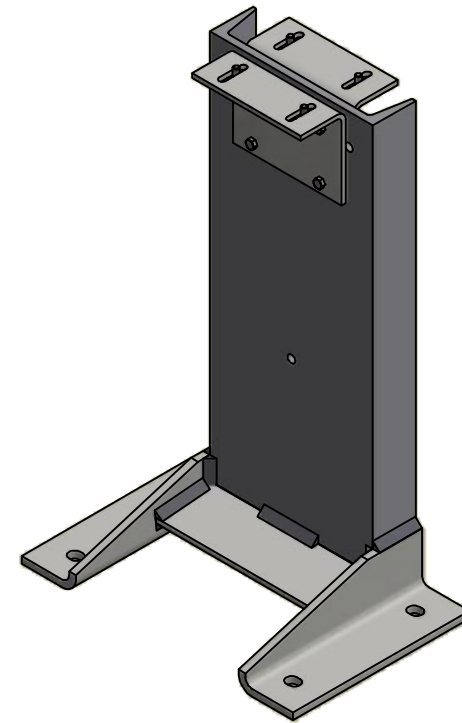
C

C



B

B



A

A

DWG #: 1295-Customer
 DRAWN:BCM 10/24/2017
 SHEET #1

File: 1295-Customer.idw

4

3

2

1



ALL DIMENSIONS IN INCHES

THE INFORMATION CONTAINED IN THIS DRAWING IS THE SOLE PROPERTY OF CROWN INDUSTRIAL. ANY REPRODUCTION IN PART OR AS A WHOLE WITHOUT THE WRITTEN PERMISSION OF CROWN INDUSTRIAL IS PROHIBITED.	ID #: 1295P375	STOCK PART #:
	MATERIAL:	
DESCRIPTION: 1295 Column Support Assembly		
FINISH: H.D.G.	# PCS:	REV: A



CROWN INDUSTRIAL

So. San Francisco, Ca
 (650) 952-5150

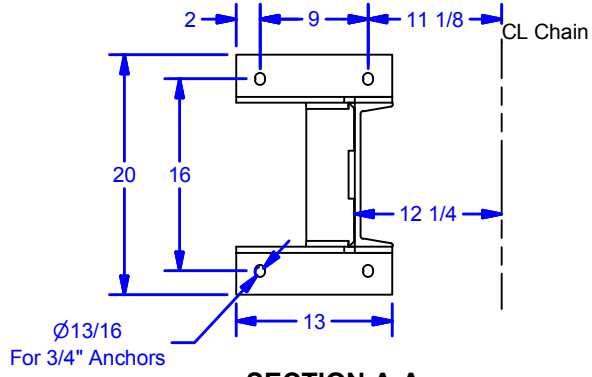
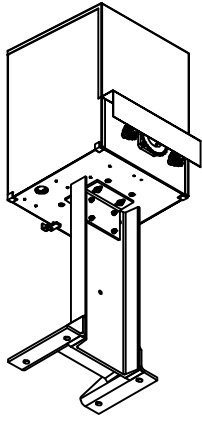
www.crown-industrial.com

4

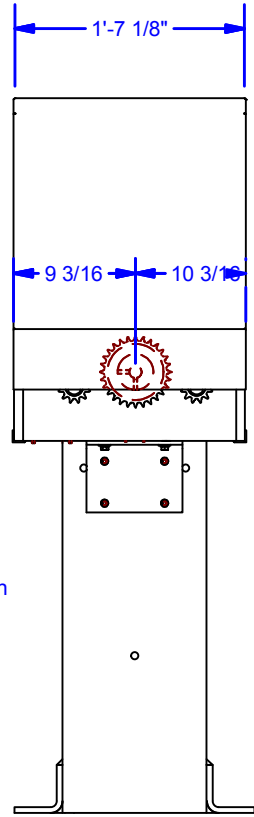
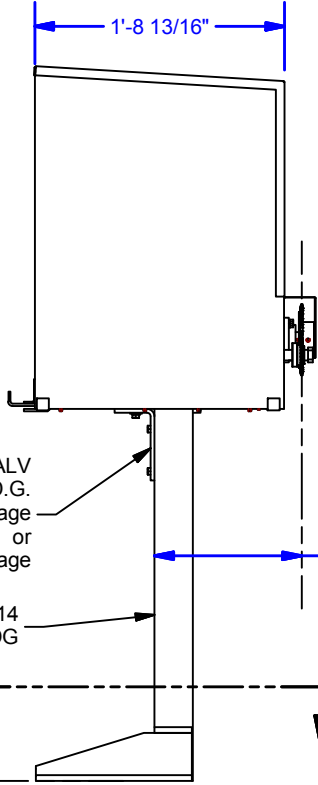
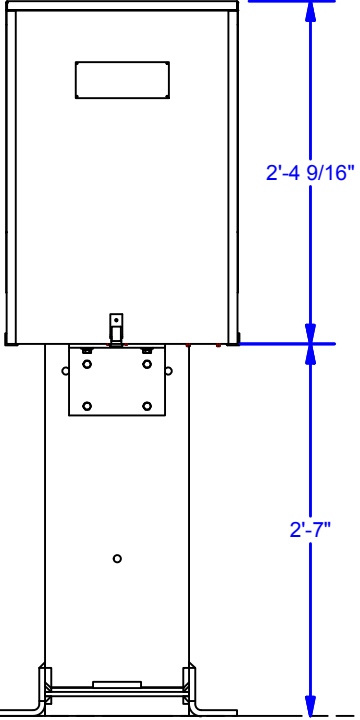
3

2

1



SECTION A-A



#068090-GALV
Support Angle, H.D.G.
Supplied in #1295-SEW: Safety Edge Package
or
#1295-GATEACC: Gate Accessory Package

#072914
Gate Operator Mounting Column, HDG

ALL DIMENSIONS IN INCHES

THE INFORMATION CONTAINED IN THIS DRAWING IS THE SOLE PROPERTY OF CROWN INDUSTRIAL. ANY REPRODUCTION IN PART OR AS A WHOLE WITHOUT THE WRITTEN PERMISSION OF CROWN INDUSTRIAL IS PROHIBITED.

PART #: 1295P381
MATERIAL:

STOCK #: 072914

DESCRIPTION:
1295 Operator w. Pad Mount Column

FINISH: H.D. Galv.

PCS: 1
REV:



CROWN INDUSTRIAL
So. San Francisco, Ca
(650) 952-5150
www.crown-industrial.com

4

3

2

1

A

A

D

D

C

C

B

B

A

A