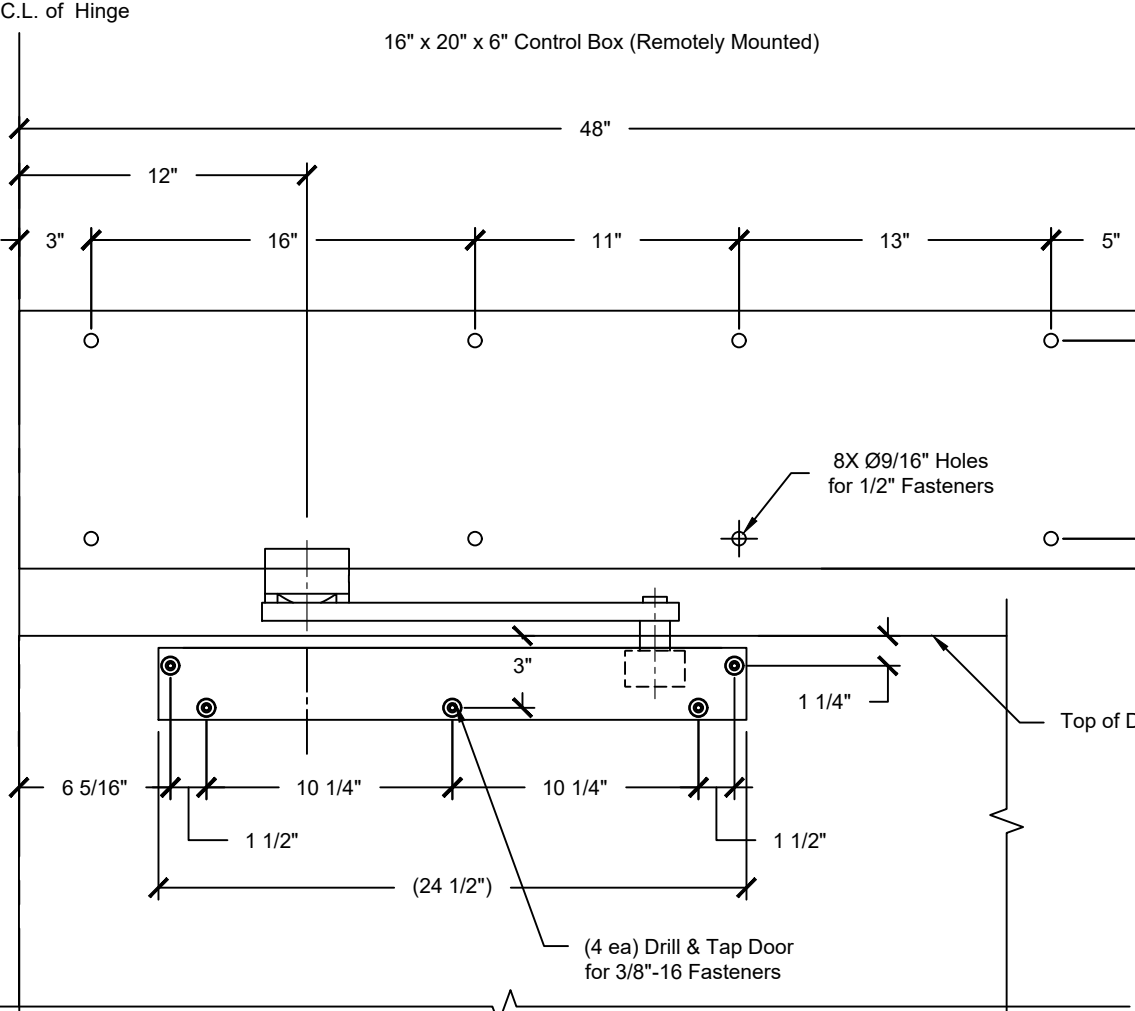
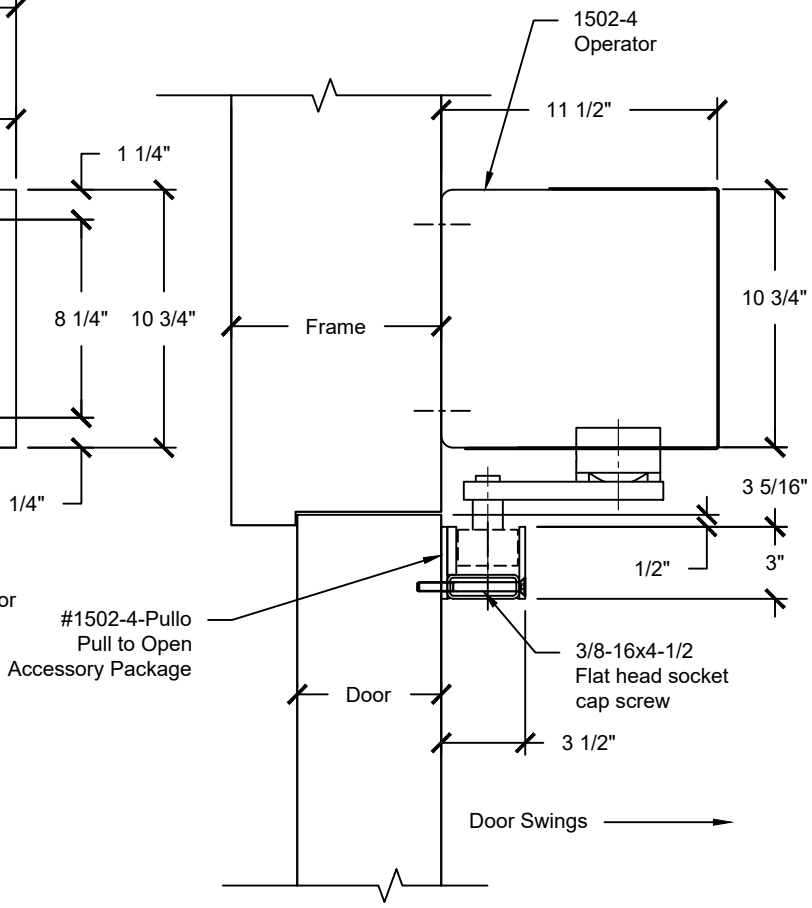


REVISIONS			
REV.	DESCRIPTION	DATE	APPROVED



NOTE: OPERATOR MOUNTS ON HINGE SIDE OF DOOR



1 Elevation: 1502-4 Right Hand Pull to Open

2 Section Head Detail: 1502-4