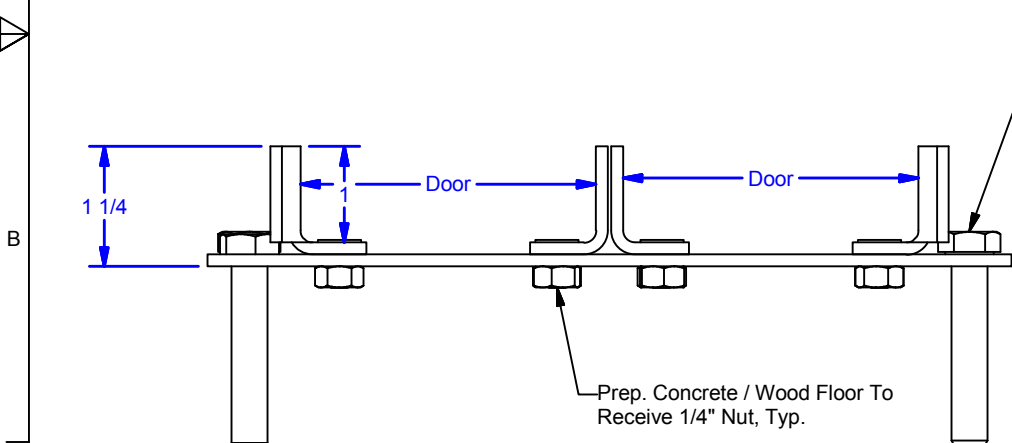
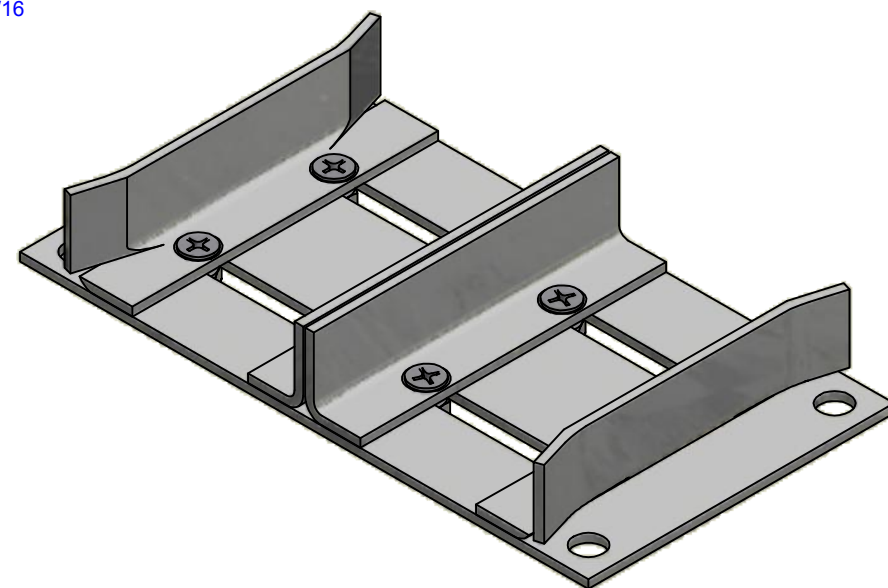
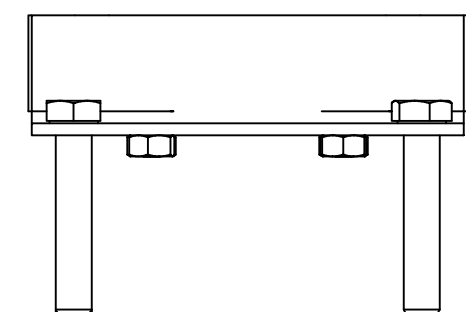


PLAN VIEW



END VIEW



SIDE VIEW

For Doors 1-1/2" to 3" Thick

ALL DIMENSIONS IN INCHES

THE INFORMATION CONTAINED IN THIS DRAWING IS THE SOLE PROPERTY OF CROWN INDUSTRIAL. ANY REPRODUCTION IN PART OR AS A WHOLE WITHOUT THE WRITTEN PERMISSION OF CROWN INDUSTRIAL IS PROHIBITED.	ID #:	STOCK PART #:
	0000206	173-4
DESCRIPTION:	MATERIAL:	
	Mild Steel	
173 P4 Adjustable Parallel Double Door Floor Guide		
FINISH:	# PCS:	REV:
Clear Zinc		



CROWN INDUSTRIAL
 So. San Francisco, Ca
 (650) 952-5150
 www.crown-industrial.com

DWG #: 173P4
 DRAWN: BCM 3/29/2007
 SHEET #1
 File: 0000206.idw