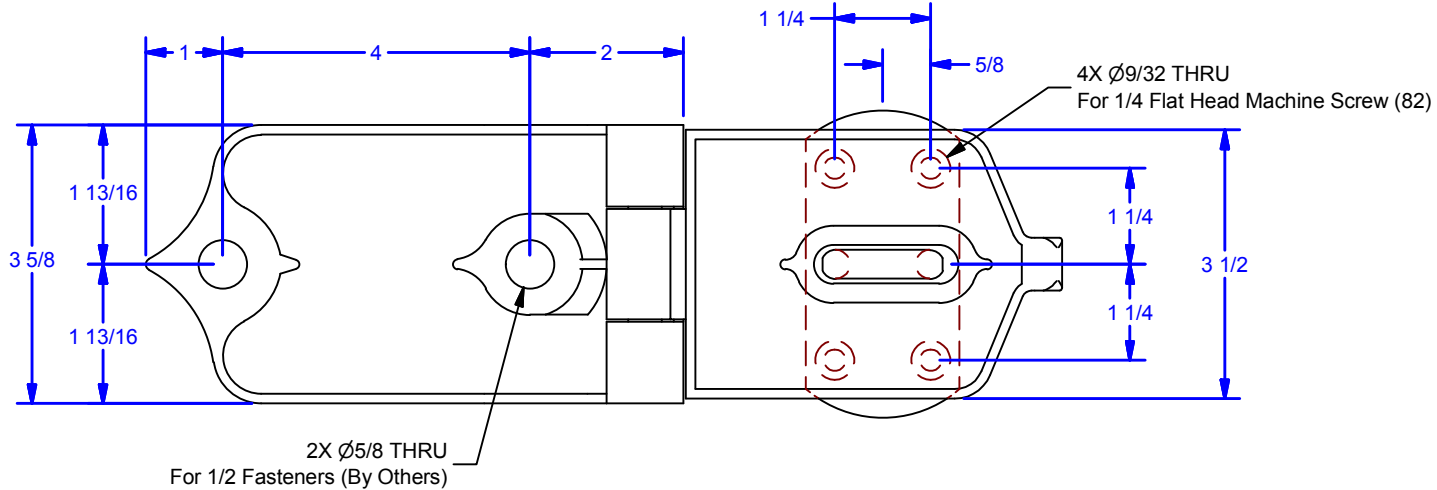
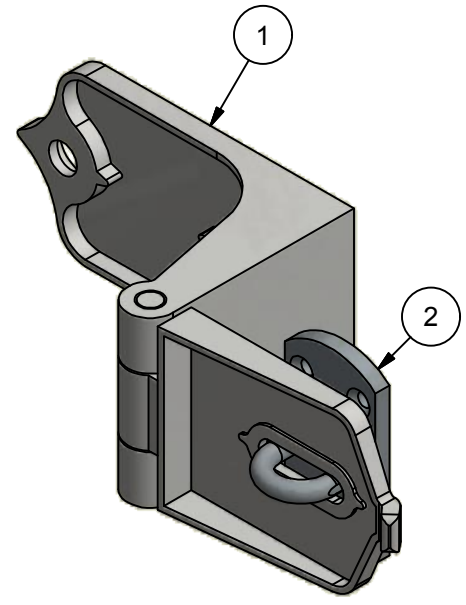
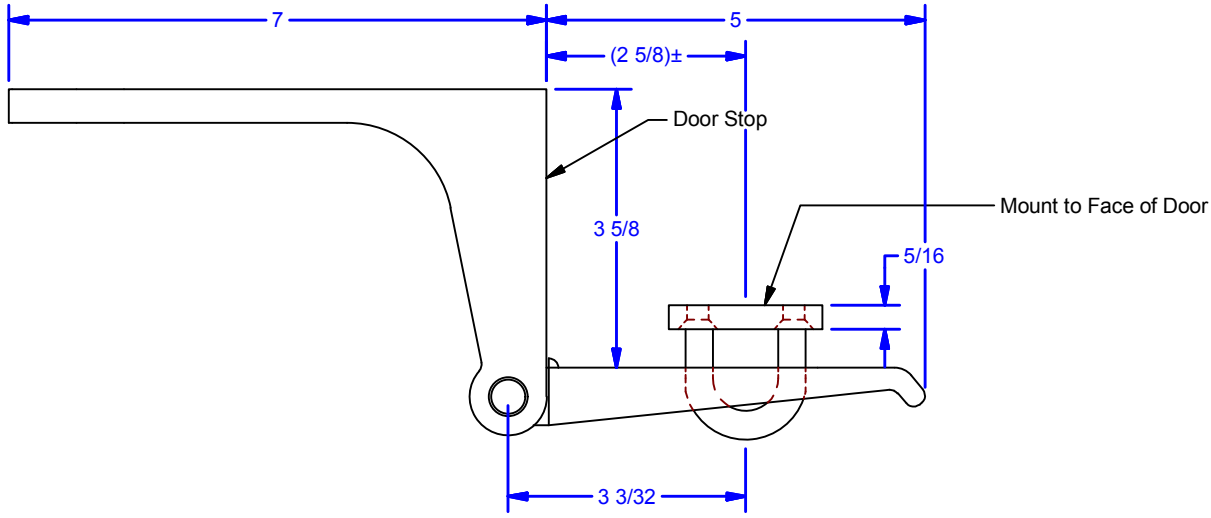


Parts List				
ITEM	QTY	PART #	DESCRIPTION	STOCK #
1	1	0001716	Hasp Assembly	182P30
2	1	0000702	Staple for #182 Hasp	
3	4	#14FHWS	#14 x 2" Flat Head Wood Screw, zinc for Staple (Included)	



ALL DIMENSIONS IN INCHES				
THE INFORMATION CONTAINED IN THIS DRAWING IS THE SOLE PROPERTY OF CROWN INDUSTRIAL. ANY REPRODUCTION IN PART OR AS A WHOLE WITHOUT THE WRITTEN PERMISSION OF CROWN INDUSTRIAL IS PROHIBITED.		ID #:	STOCK PART #:	
		0001405	182P30	
DESCRIPTION:		MATERIAL:		
Hasp, 2-1/2" to 3" Thick Door				
FINISH:	VENDOR:	VENDOR PART#:	# PCS:	REV:
Clear Zinc		0182.00030ZC		

**CROWN INDUSTRIAL**  
So. San Francisco, Ca  
(650) 952-5150  
www.crown-industrial.com

DWG #: 0001410  
DRAWN: BCM 3/15/2013  
SHEET #1  
File: 0001410.idw

4.206 lbmass