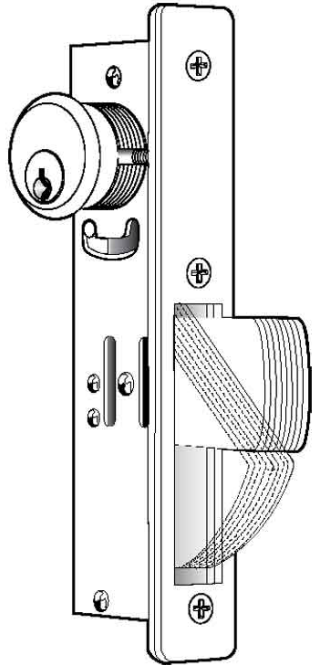




## 1850S-SWING DOOR LOCK



### General Specifications:

- CYLINDER BACKSET:  
 1-1/8" Standard, 7/8", 31/32", or 1-1/2".
- CASE: plated steel measuring 1" wide x 6" tall x depth variant on backset.
- FACEPLATE: measures 1" wide x 6-7/8" tall.
- Ship Weight: 1.5 lbs.

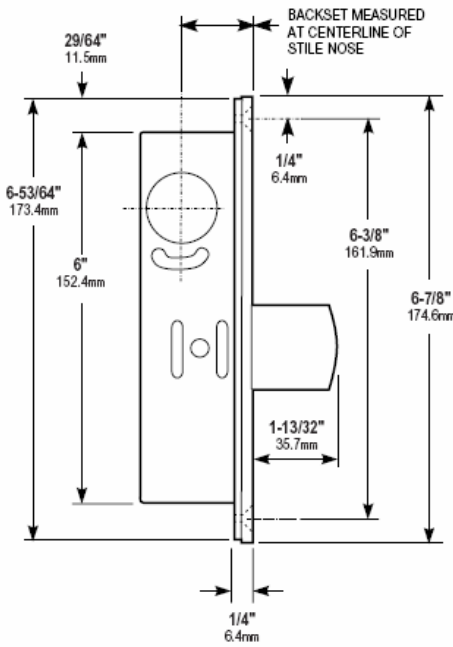
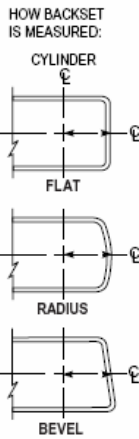
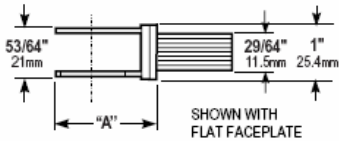
### HOW TO ORDER

Product No.	-Finish	-Backset	-Handing	-Faceplate
<b>1850S</b>	<b>-628</b> Clear Anodized	<b>-1</b> 7/8"	<b>-15</b> Left Hand or Right Hand Reverse	Blank Flat
	<b>-313</b> Black Anodized	<b>-2</b> 31/32"	<b>-16</b> Right Hand or Left Hand Reverse	<b>-1S</b> Radius
		Blank 1-1/8"	Blank Non-Handed	<b>-1SW</b> Radius with Weatherstrip
		<b>-4</b> 1-1/2"		<b>-2S</b> Bevel

Examples: *1850S-628-1-15-1S*  
*1850S-628 : 1850 lock, clear anodized, 1-1/8" backset, Non-Handed, Flat Face Plate*



**Lock Dimensions**

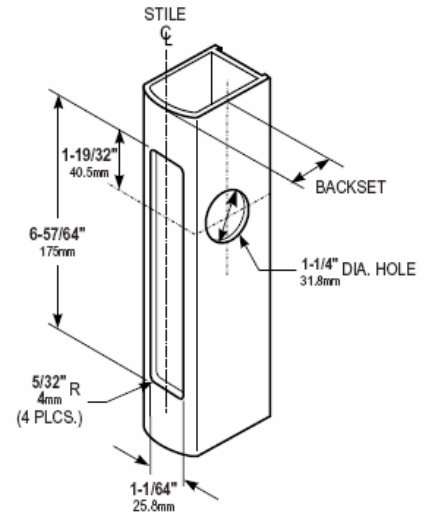


BACKSET	"A"
7/8"	1-9/16"
22mm	34.7mm
31/32"	1-5/8"
24.6mm	41.3mm
1-1/8"	1-25/32"
28.6mm	45.2mm
1-1/2"	2-1/4"
38.1mm	57.2mm

**ARMORED FACEPLATE**  
1" X 6-7/8"

	FLAT MS1850S
	RADIUS MS1851S
	RADIUS W/ WEATHERSTRIP MS1851SW
	LH BEVEL MS1852S-X15
	RH BEVEL MS1852S-X16

**Stile Preparation**



**Lock & Cylinder Installation**

