

ALL DIMENSIONS IN INCHES

THE INFORMATION CONTAINED IN THIS DRAWING IS THE SOLE PROPERTY OF CROWN INDUSTRIAL. ANY REPRODUCTION IN PART OR AS A WHOLE WITHOUT THE WRITTEN PERMISSION OF CROWN INDUSTRIAL IS PROHIBITED.

ID #: 0000431
MATERIAL: 304 Stainless Steel

STOCK PART #: 25SS-1BLE

DESCRIPTION: Stainless Steel Truck (Low Head)

FINISH: #2B Mill

PCS: | REV:



CROWN INDUSTRIAL
So. San Francisco, Ca
(650) 952-5150
www.crown-industrial.com

DWG #: 0002564
DRAWN: BCM 2/27/2009
SHEET #5
File: 0002564.idw

4

3

2

1

D

D

C

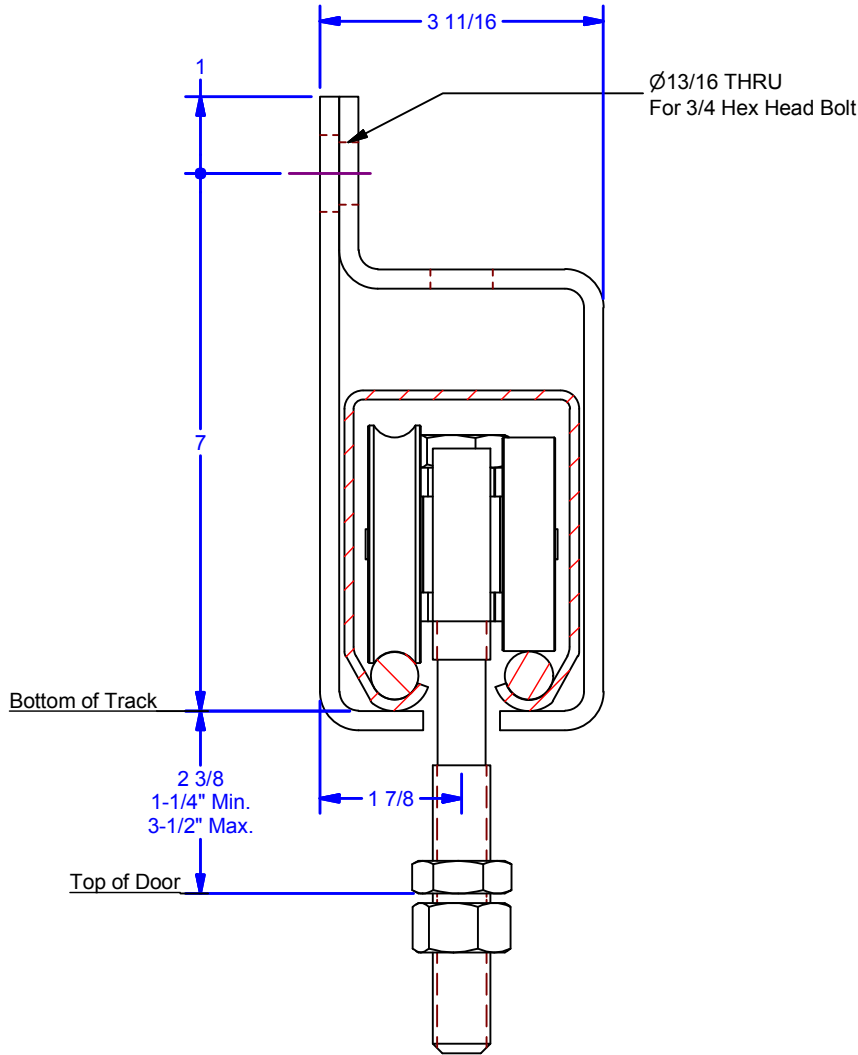
C

B

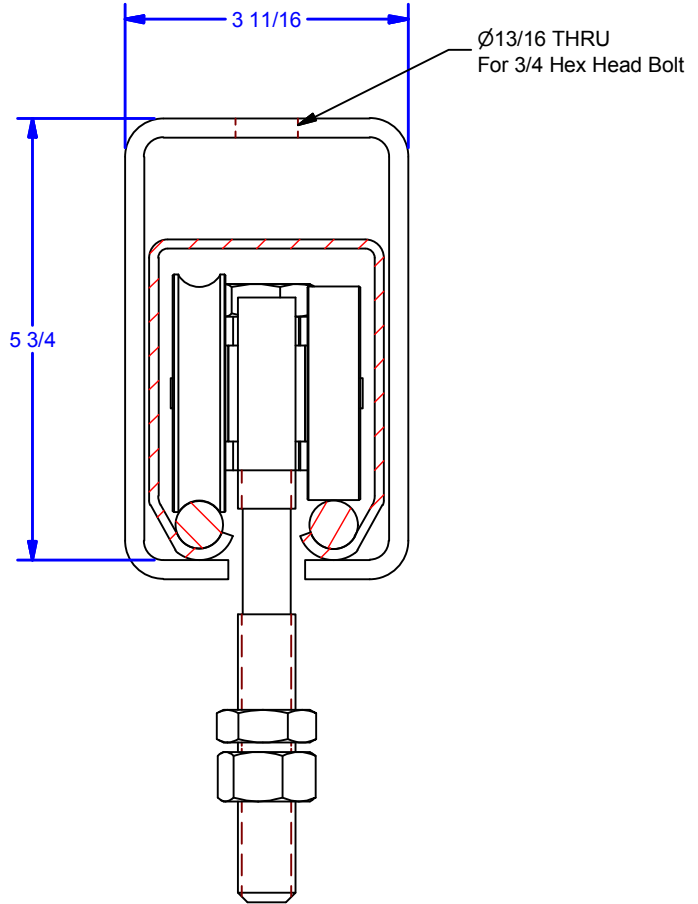
B

A

A



Sidewall Bracket



Overhead Bracket

DWG #: 0002564
 DRAWN:BCM 11/6/2017
 SHEET #6
 File: 0002564.idw

ALL DIMENSIONS IN INCHES

THE INFORMATION CONTAINED IN THIS DRAWING IS THE SOLE PROPERTY OF CROWN INDUSTRIAL. ANY REPRODUCTION IN PART OR AS A WHOLE WITHOUT THE WRITTEN PERMISSION OF CROWN INDUSTRIAL IS PROHIBITED.	ID #:	0002565	STOCK PART #:	25SS-1BLE
	MATERIAL:			
DESCRIPTION: Stainless Steel Truck (Low Head) 1,500 Capacity				
FINISH:			# PCS:	REV:
			1	



CROWN INDUSTRIAL
 So. San Francisco, Ca
 (650) 952-5150
 www.crown-industrial.com

4

3

2

1