

4

3

2

1

D

D

C

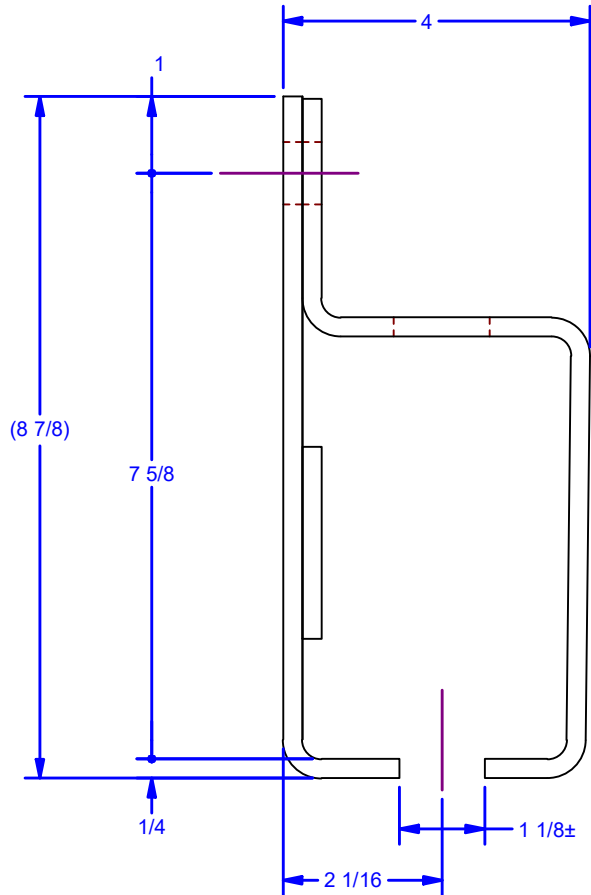
C

B

B

A

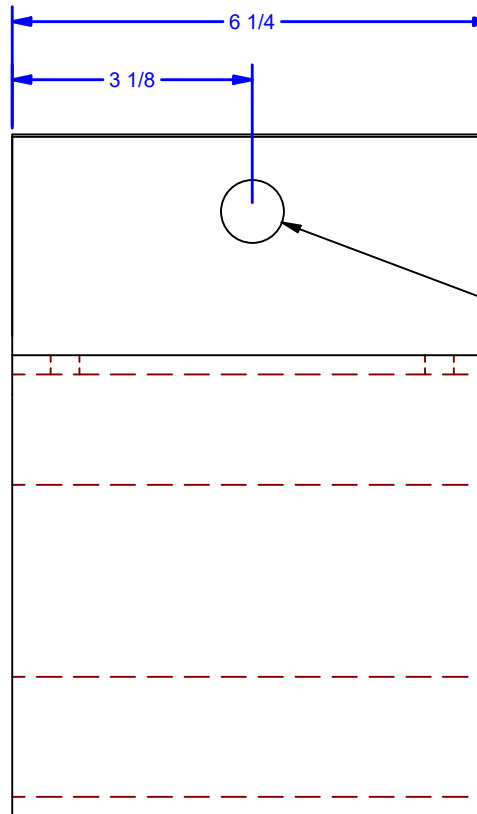
A



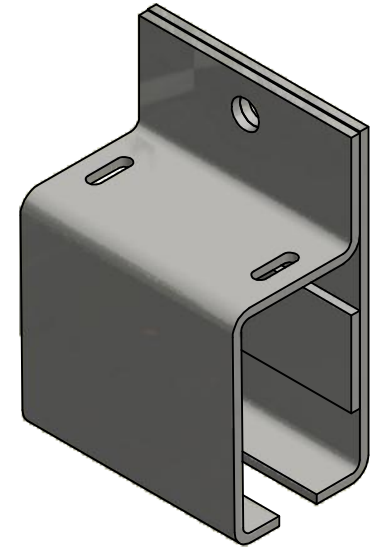
Note:
 Spaced on a maximum of 60" centers for 2,500 lb weight capacity.
 Spaced on a maximum of 24" centers for 5,000 lb weight capacity

DWG #: #25
 DRAWN:BCM 4/17/2007
 SHEET #4
 File: 0000455.idw

Avail. Finishes:
 Powder Coat Black
 Powder Coat Pebble Tan
 Hot Dipped Galvanized



Ø13/16 THRU
 For 3/4 Hex Head Bolt



ALL DIMENSIONS IN INCHES

THE INFORMATION CONTAINED IN THIS DRAWING IS THE SOLE PROPERTY OF CROWN INDUSTRIAL. ANY REPRODUCTION IN PART OR AS A WHOLE WITHOUT THE WRITTEN PERMISSION OF CROWN INDUSTRIAL IS PROHIBITED.	ID #:	405P939	STOCK PART #:	25x1.405
	MATERIAL:	Welded Steel Mild		
DESCRIPTION: Sidewall Center Bracket for 405 Chain				
FINISH:	Painted or Hot Dipped Galvanized		# PCS:	REV: C



CROWN INDUSTRIAL
 So. San Francisco, Ca
 (650) 952-5150
 www.crown-industrial.com

4

3

2

1

A