

4

3

2

1

D

D

C

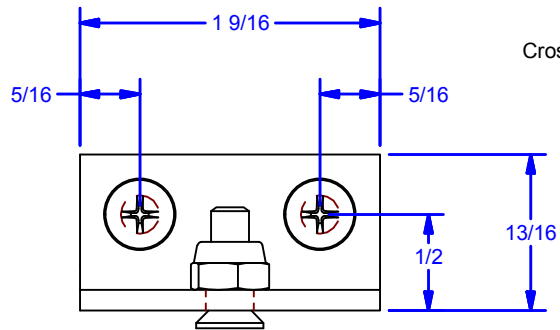
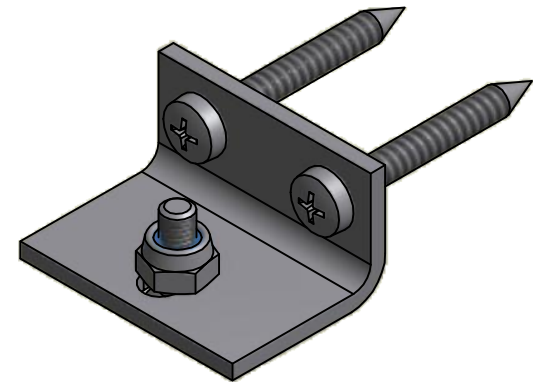
C

B

B

A

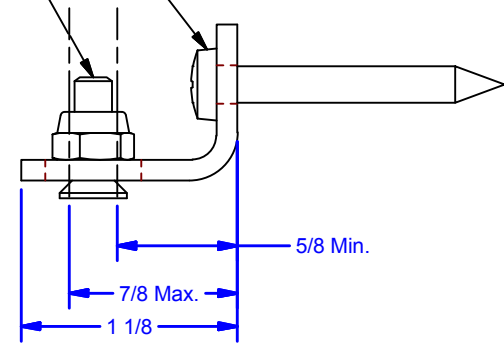
A



Cross Recessed Flat Countersunk Head Machine Screw - Type 1 - Metric

(2 ea.) #10 x 1-1/2"
Pan Head Sheet Metal Screw

IFI 513 - M5x0.8 x 16
w/ Nylon Insert Lock Nut



ALL DIMENSIONS IN INCHES

THE INFORMATION CONTAINED IN THIS DRAWING IS THE SOLE PROPERTY OF CROWN INDUSTRIAL. ANY REPRODUCTION IN PART OR AS A WHOLE WITHOUT THE WRITTEN PERMISSION OF CROWN INDUSTRIAL IS PROHIBITED.	ID #:	0002057	STOCK PART #:	2Ax1
	MATERIAL:			
DESCRIPTION: Sidewall Bracket				
FINISH: HGS. Galvanized Steel			# PCS:	1
			REV.:	



CROWN INDUSTRIAL

So. San Francisco, Ca
(650) 952-5150

www.crown-industrial.com

DWG #: 0000448
DRAWN:BCM 7/28/2015
SHEET #2

File: 0000448.idw

4

3

2

1

