

4

3

2

1

D

D

C

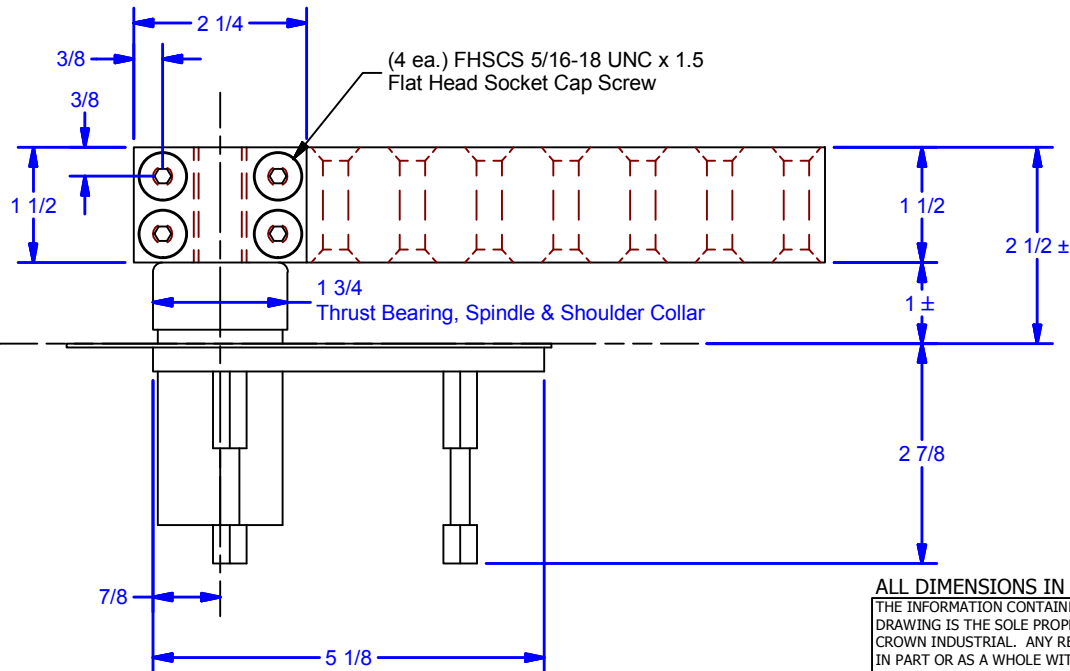
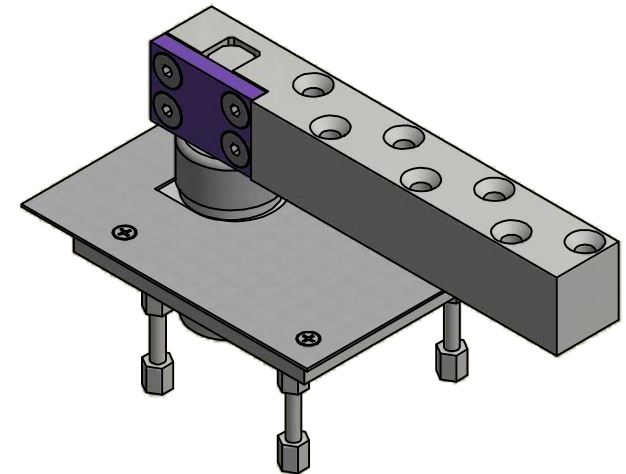
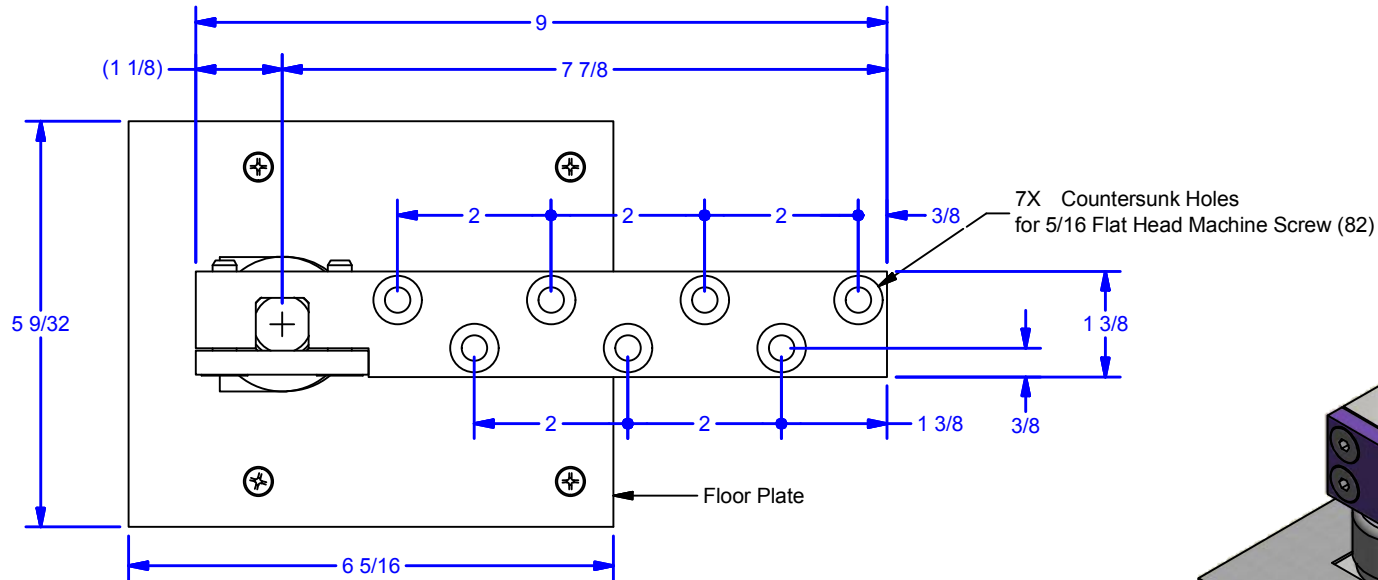
C

B

B

A

A



ALL DIMENSIONS IN INCHES

THE INFORMATION CONTAINED IN THIS DRAWING IS THE SOLE PROPERTY OF CROWN INDUSTRIAL. ANY REPRODUCTION IN PART OR AS A WHOLE WITHOUT THE WRITTEN PERMISSION OF CROWN INDUSTRIAL IS PROHIBITED.

ID #: 0002160-1

STOCK PART #: 335x25BPS-626

MATERIAL:

DESCRIPTION:

Heavy Duty Bottom Pivot Set, Side Mount for 1-3/4" Min. Thk Door

FINISH:

US26D (626) Satin Chrome

# PCS: 1

REV:

DWG #: 0002163  
DRAWN:BCM 12/14/2015  
SHEET #2  
File: 0002163.idw



**CROWN INDUSTRIAL**

So. San Francisco, Ca  
(650) 952-5150

www.crown-industrial.com

4

3

2

1

▽