

4

3

2

1

D

D

C

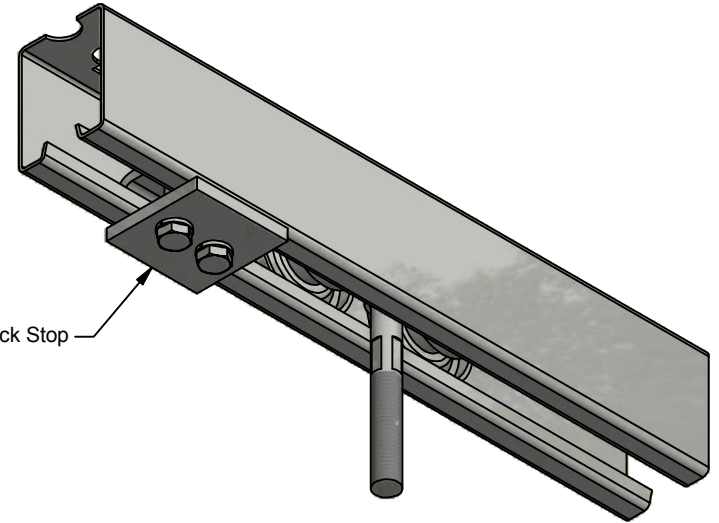
C

B

B

A

A

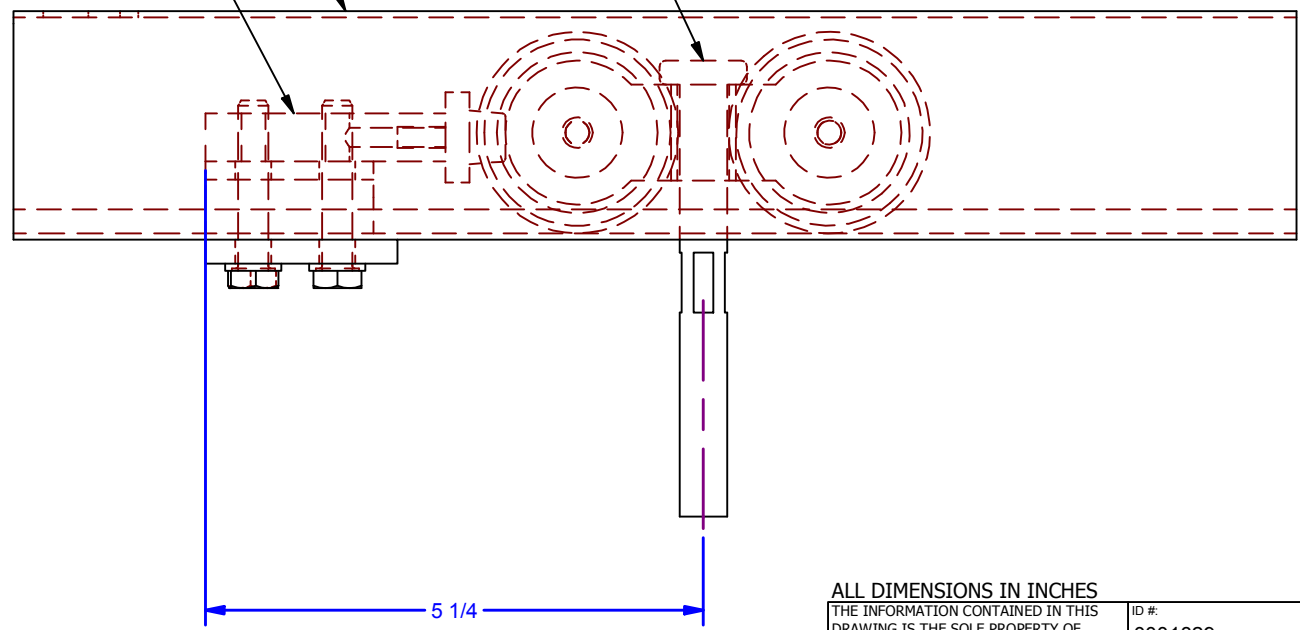


#4.00CSTR Concealed Track Stop

#4 Truck or Hanger Assembly

#4 Track

#4.00CSTR Concealed Track Stop



5 1/4

ALL DIMENSIONS IN INCHES

THE INFORMATION CONTAINED IN THIS DRAWING IS THE SOLE PROPERTY OF CROWN INDUSTRIAL. ANY REPRODUCTION IN PART OR AS A WHOLE WITHOUT THE WRITTEN PERMISSION OF CROWN INDUSTRIAL IS PROHIBITED.

DESCRIPTION:
Concealed Track Stop Layout

FINISH:

ID #: 0001829

MATERIAL:

STOCK PART #: 4.00CSTR

PCS: REV:

DWG #: 0001828
DRAWN: BCM 2/4/2015
SHEET #1
File: 0001828.idw



CROWN INDUSTRIAL
So. San Francisco, Ca
(650) 952-5150
www.crown-industrial.com

4

3

2

1



4

3

2

1

D

D

C

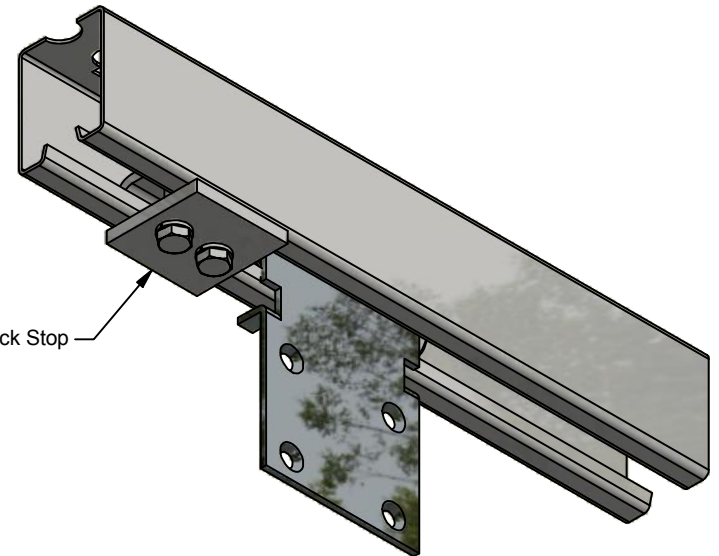
C

B

B

A

A

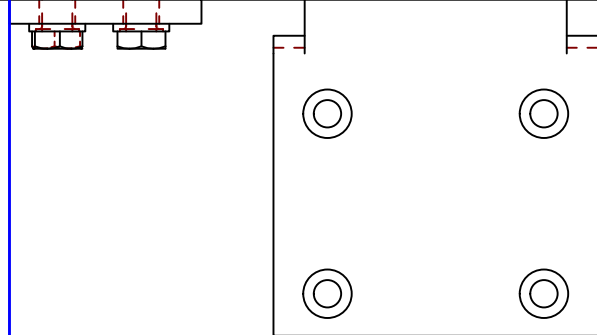
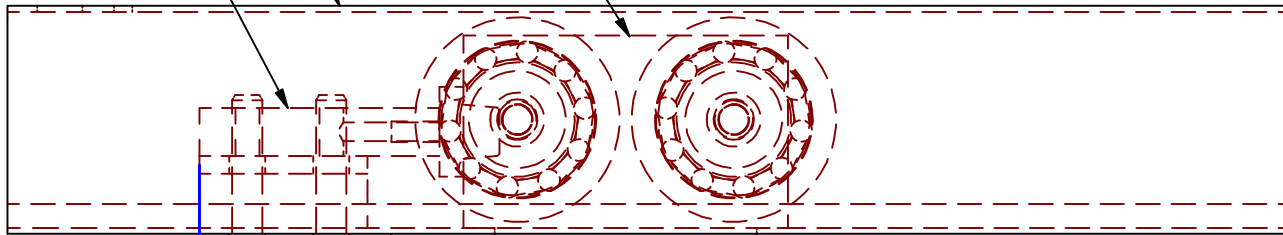


#4.00CSTR Concealed Track Stop

#4Z-F Flat Plate Hanger

#4 Track

#4.00CSTR Concealed Track Stop



4 1/2

ALL DIMENSIONS IN INCHES

THE INFORMATION CONTAINED IN THIS DRAWING IS THE SOLE PROPERTY OF CROWN INDUSTRIAL. ANY REPRODUCTION IN PART OR AS A WHOLE WITHOUT THE WRITTEN PERMISSION OF CROWN INDUSTRIAL IS PROHIBITED.

DESCRIPTION:

Concealed Track Stop Layout

FINISH:

ID #:
0001829

MATERIAL:

STOCK PART #:
4.00CSTR

PCS | REV:

DWG #: 0001828
DRAWN: BCM 2/4/2015
SHEET #2
File: 0001828.idw



CROWN INDUSTRIAL

So. San Francisco, Ca
(650) 952-5150

www.crown-industrial.com

4

3

2

1



4

3

2

1

D

D

C

C

B

B

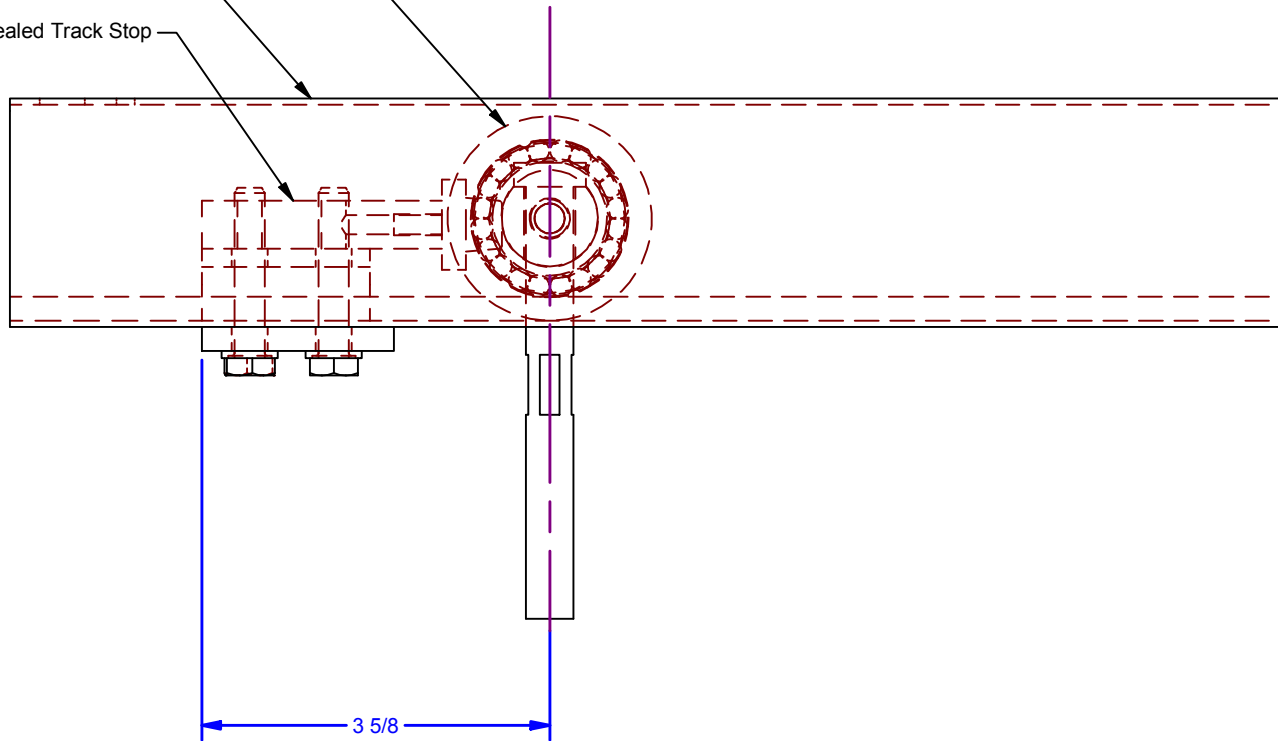
A

A

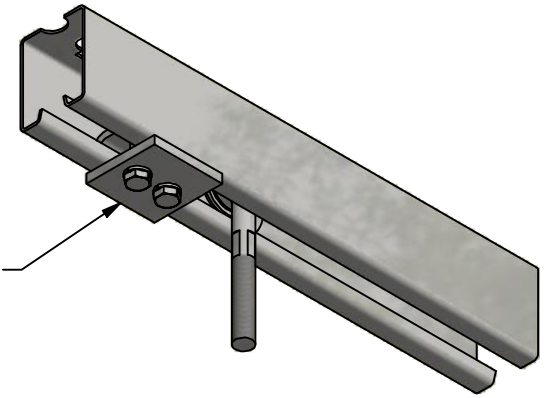
#4Z-0 Two Wheel Trolley,
1/2-13 Pendant (200 lb Capacity)

#4 Track

#4.00CSTR Concealed Track Stop



#4.00CSTR Concealed Track Stop



ALL DIMENSIONS IN INCHES

THE INFORMATION CONTAINED IN THIS DRAWING IS THE SOLE PROPERTY OF CROWN INDUSTRIAL. ANY REPRODUCTION IN PART OR AS A WHOLE WITHOUT THE WRITTEN PERMISSION OF CROWN INDUSTRIAL IS PROHIBITED.	ID #:	0001829	STOCK PART #:	4.00CSTR
	MATERIAL:			
DESCRIPTION: Concealed Track Stop Layout				
FINISH:		# PCS:		REV:

DWG #: 0001828
DRAWN:BCM 2/4/2015
SHEET #3
File: 0001828.idw



CROWN INDUSTRIAL
So. San Francisco, Ca
(650) 952-5150
www.crown-industrial.com

4

3

2

1

A

A