

(2 ea.) #43S  
TRACK STOP  
<DRILL FOR 1/2" FASTENER>  
w/ 1/2" I.D. WALLSPACER

FROM THE EDGE OF THE DOOR  
TO THE CENTERLINE OF THE  
FLAT TRACK HANGER  
{INDICATE}  
(3 STANDARD)

INDICATE:

1. OPENING WIDTH:
2. DOOR WIDTH:
3. DOOR THICKNESS:
4. FROM THE EDGE OF THE DOOR TO THE CENTERLINE OF THE FLAT TRACK HANGER:
5. PROJECTION OF MATERIALS BEYOND THE WALL BLOCKING: (FOR WALL SPACER LENGTH-SEE SECTION A, SHEET #2)
6. FIELD OR FACTORY DRILL TRACK MOUNTING HOLES:

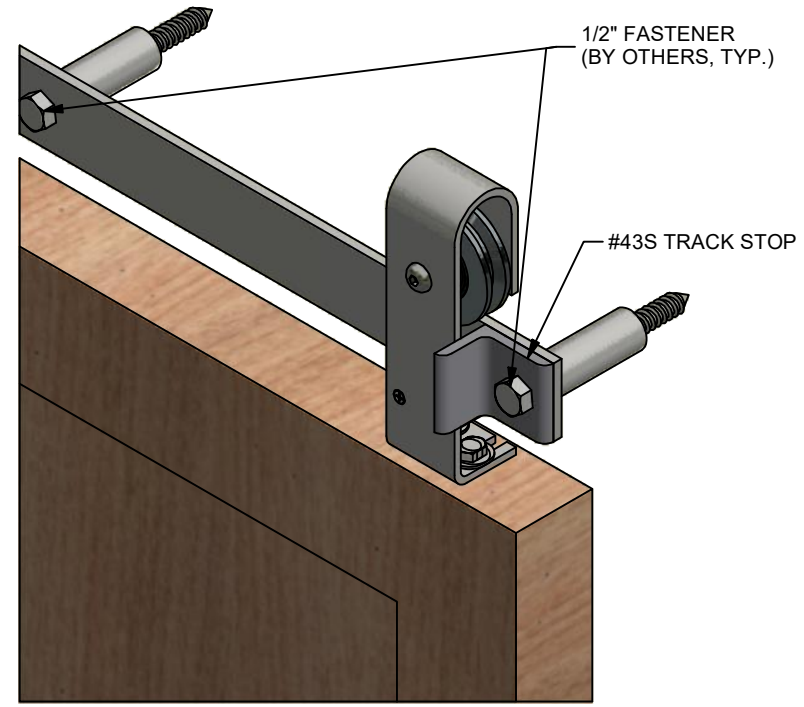
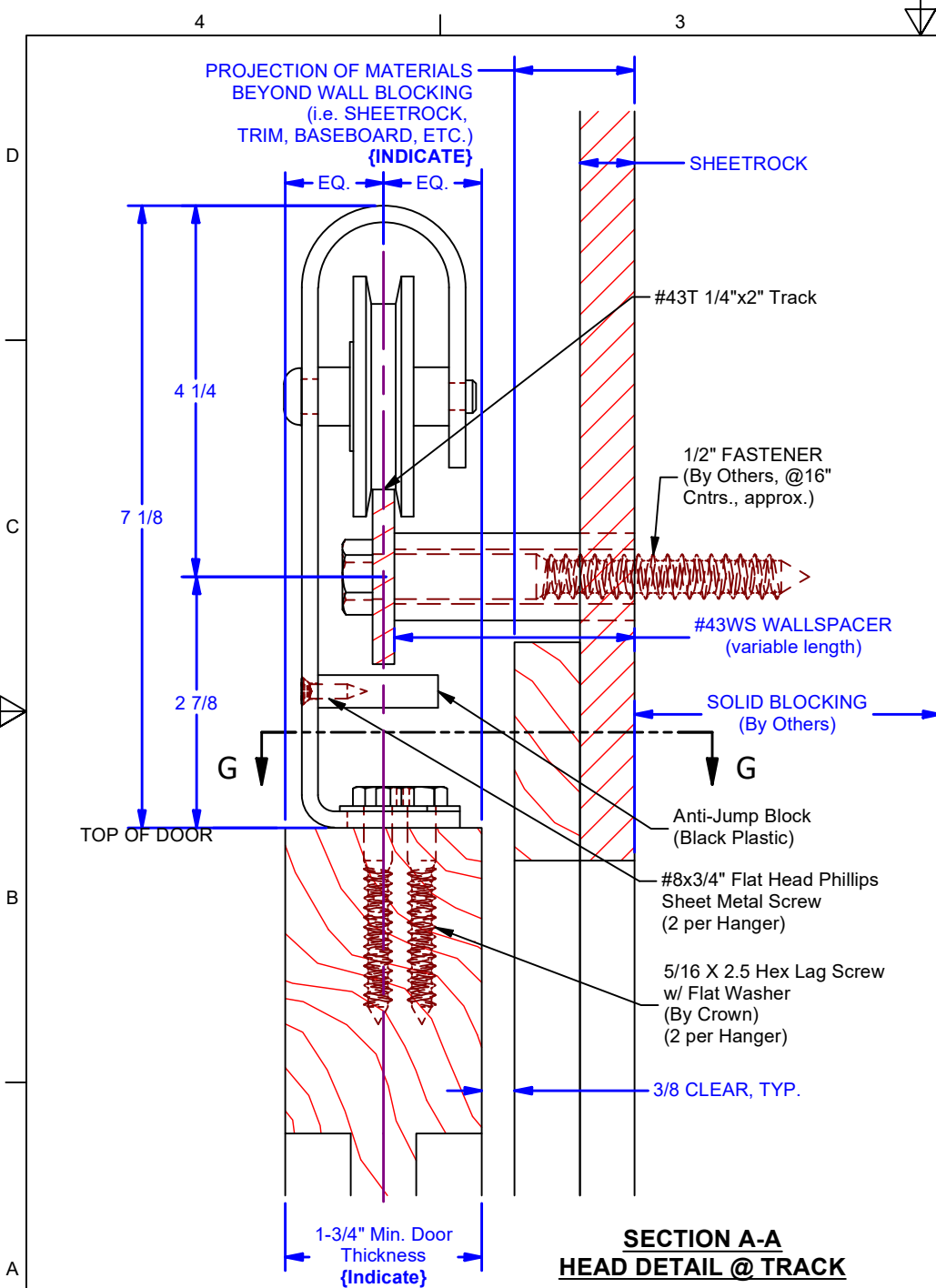
**\*NOTE: Maximum Door Weight Not to Exceed 250lbs.**

DWG #: 43HTMA  
DESCRIPTION: **Top Mounted Flat Track - Single Slide (250 lb CAPACITY)**  
DRAWN: BCM 8/23/2013  
SHEET #1  
File: 0001482.idw

THE INFORMATION CONTAINED IN THIS DRAWING IS THE SOLE PROPERTY OF CROWN INDUSTRIAL. ANY REPRODUCTION IN PART OR AS A WHOLE WITHOUT THE WRITTEN PERMISSION OF CROWN INDUSTRIAL IS PROHIBITED.



**CROWN INDUSTRIAL**  
So. San Francisco, Ca  
(650) 952-5150  
www.crown-industrial.com



DWG #: 43HTMA  
 DESCRIPTION: Top Mounted Flat Track - Single Slide (250 lb CAPACITY)  
 DRAWN:BCM 8/23/2013  
 SHEET #2  
 File: 0001482.idw

THE INFORMATION CONTAINED IN THIS DRAWING IS THE SOLE PROPERTY OF CROWN INDUSTRIAL. ANY REPRODUCTION IN PART OR AS A WHOLE WITHOUT THE WRITTEN PERMISSION OF CROWN INDUSTRIAL IS PROHIBITED.

**CROWN INDUSTRIAL**  
 So. San Francisco, Ca  
 (650) 952-5150  
 www.crown-industrial.com