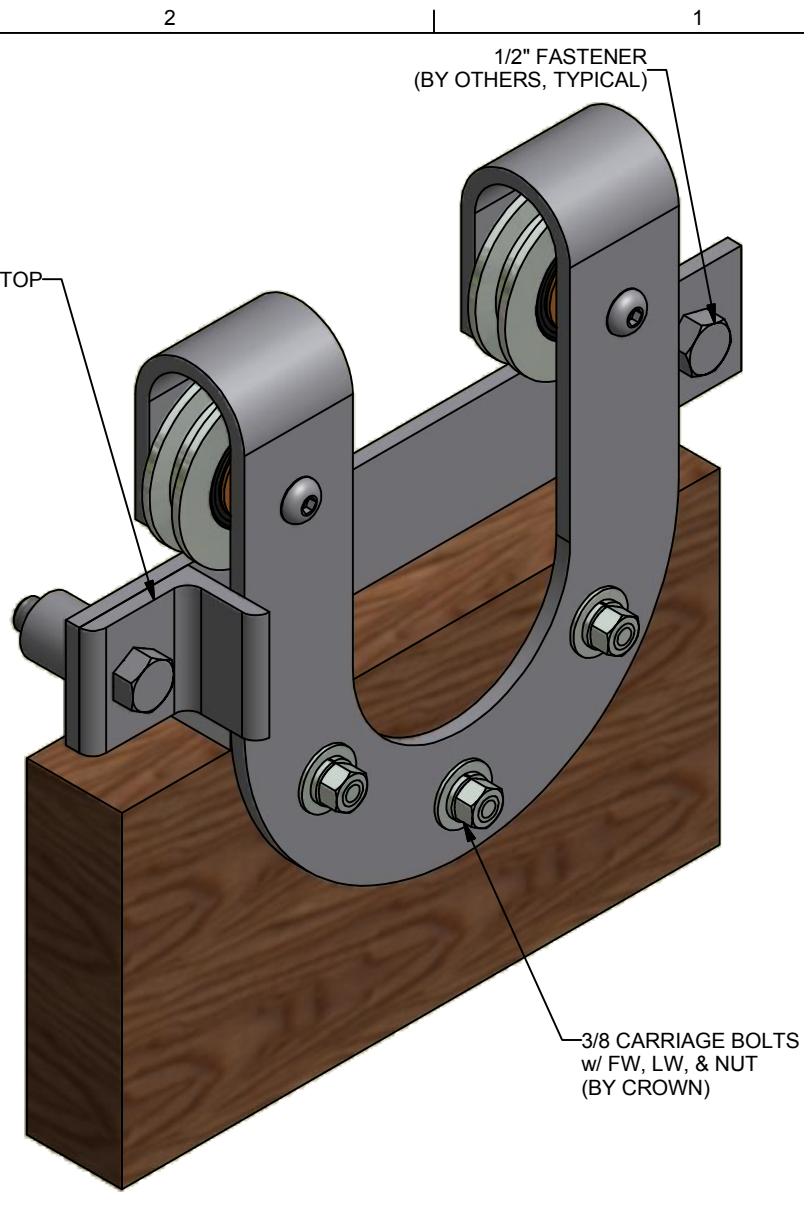


BACK/WALLSIDE VIEW



FRONT VIEW

NOTE: ALL WALLSPACERS MUST COME IN DIRECT CONTACT WITH SOLID BLOCKING

DWG #: 43H
 DRAWN: BCM 12/15/2008
 SHEET #3
 File: 0000316.idw

ALL DIMENSIONS IN INCHES

THE INFORMATION CONTAINED IN THIS DRAWING IS THE SOLE PROPERTY OF CROWN INDUSTRIAL. ANY REPRODUCTION IN PART OR AS A WHOLE WITHOUT THE WRITTEN PERMISSION OF CROWN INDUSTRIAL IS PROHIBITED.

DESCRIPTION:

#43 "U" FLAT TRACK ASSEMBLY

FINISH:

Specify

PART #:

0000316

STOCK #:

43U

MATERIAL:

PCS:

2

REV:



CROWN INDUSTRIAL

So. San Francisco, Ca
 (650) 952-5150

www.crown-industrial.com