

4

3

2

1

D

D

C

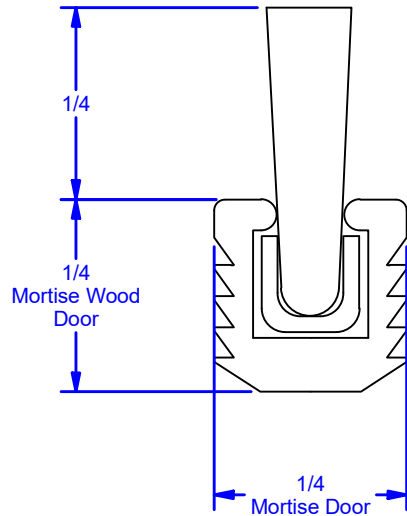
C

B

B

A

A



Finish:
 5025ANB: Mill Finish Aluminum w/ Black Nylon Brush
 5025ASB: Mill Finish Aluminum w. Soft Black Brush

DWG #: 0002368
 DRAWN:BCM 6/6/2019
 SHEET #21
 File: 0002368.idw

ALL DIMENSIONS IN INCHES

THE INFORMATION CONTAINED IN THIS DRAWING IS THE SOLE PROPERTY OF CROWN INDUSTRIAL. ANY REPRODUCTION IN PART OR AS A WHOLE WITHOUT THE WRITTEN PERMISSION OF CROWN INDUSTRIAL IS PROHIBITED.	ID #: 0002911	STOCK PART #: 5025ANB
	MATERIAL: Aluminum-6063	
DESCRIPTION: 1/4" Brush Seal, Mortise Retainer		
FINISH:	# PCS:	REV:



CROWN INDUSTRIAL
 So. San Francisco, Ca
 (650) 952-5150
www.crown-industrial.com

4

3

2

1

4

3

2

1

D

D

C

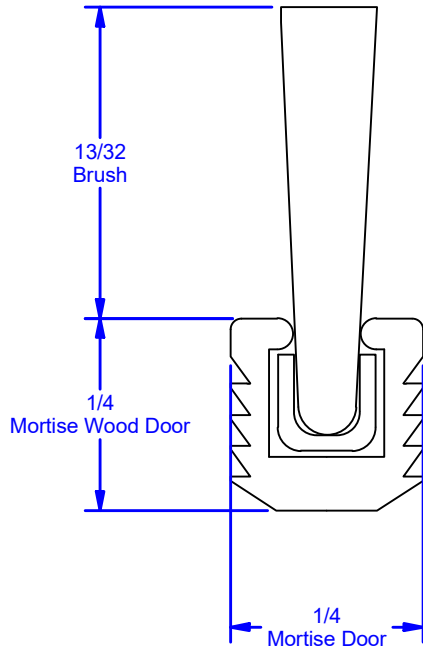
C

B

B

A

A



Finish:

- 5041ANB: Mill Finish Aluminum w/ Black Nylon Brush

DWG #: 0002368
 DRAWN:BCM 6/6/2019
 SHEET #21
 File: 0002368.idw

ALL DIMENSIONS IN INCHES

THE INFORMATION CONTAINED IN THIS DRAWING IS THE SOLE PROPERTY OF CROWN INDUSTRIAL. ANY REPRODUCTION IN PART OR AS A WHOLE WITHOUT THE WRITTEN PERMISSION OF CROWN INDUSTRIAL IS PROHIBITED.	ID #:	0002886	STOCK PART #:	5041ANB
	MATERIAL:	Aluminum-6063		
DESCRIPTION: 13/32" (3/8") Brush Seal, Mortise Retainer				
FINISH:	# PCS:	REV:		



CROWN INDUSTRIAL

So. San Francisco, Ca
 (650) 952-5150

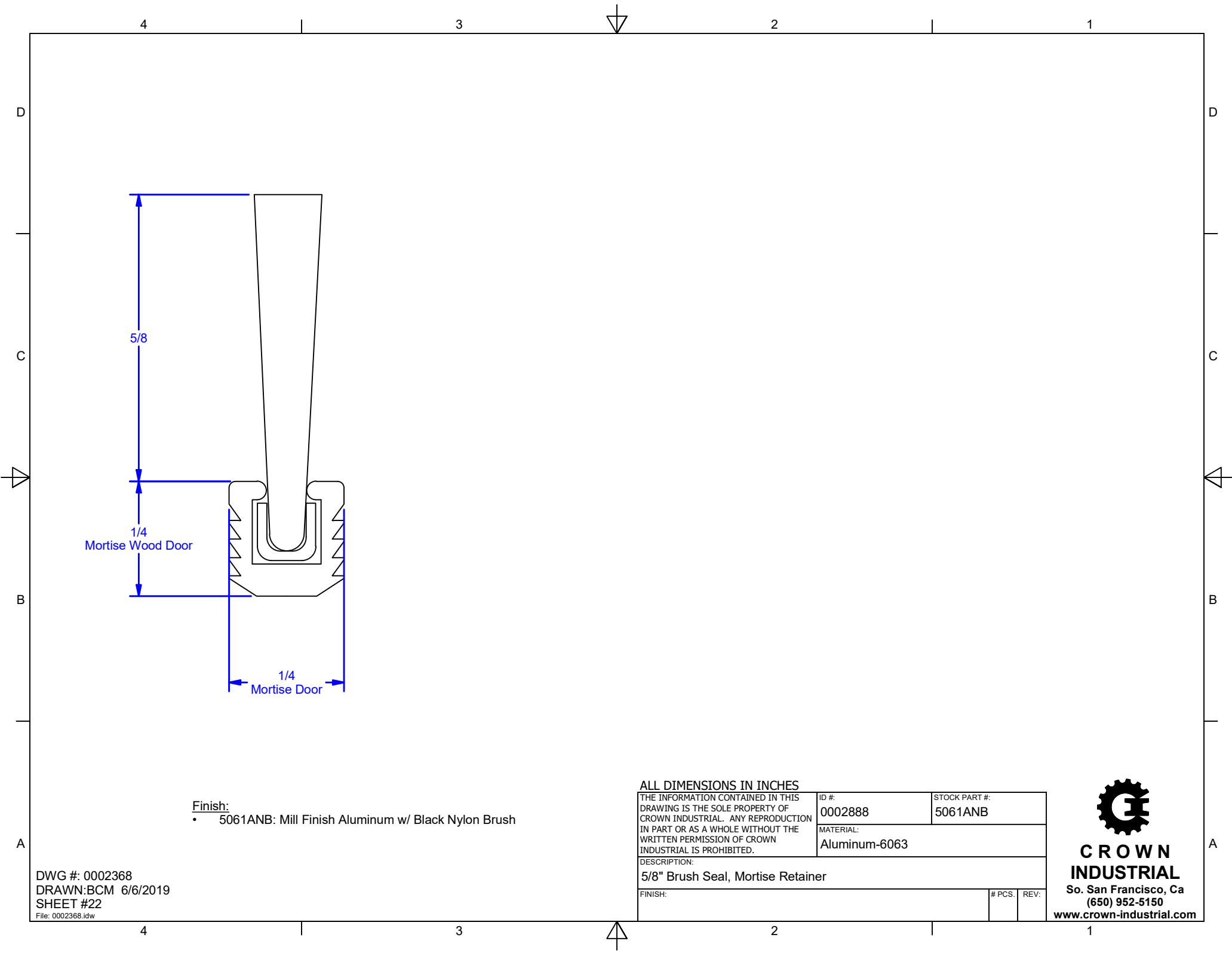
www.crown-industrial.com

4

3

2

1



- Finish:
- 5061ANB: Mill Finish Aluminum w/ Black Nylon Brush

DWG #: 0002368
 DRAWN:BCM 6/6/2019
 SHEET #22
 File: 0002368.idw

ALL DIMENSIONS IN INCHES

THE INFORMATION CONTAINED IN THIS DRAWING IS THE SOLE PROPERTY OF CROWN INDUSTRIAL. ANY REPRODUCTION IN PART OR AS A WHOLE WITHOUT THE WRITTEN PERMISSION OF CROWN INDUSTRIAL IS PROHIBITED.	ID #:	0002888	STOCK PART #:	5061ANB
	MATERIAL:	Aluminum-6063		
DESCRIPTION: 5/8" Brush Seal, Mortise Retainer				
FINISH:	# PCS:	REV:		



CROWN INDUSTRIAL
 So. San Francisco, Ca
 (650) 952-5150
www.crown-industrial.com