

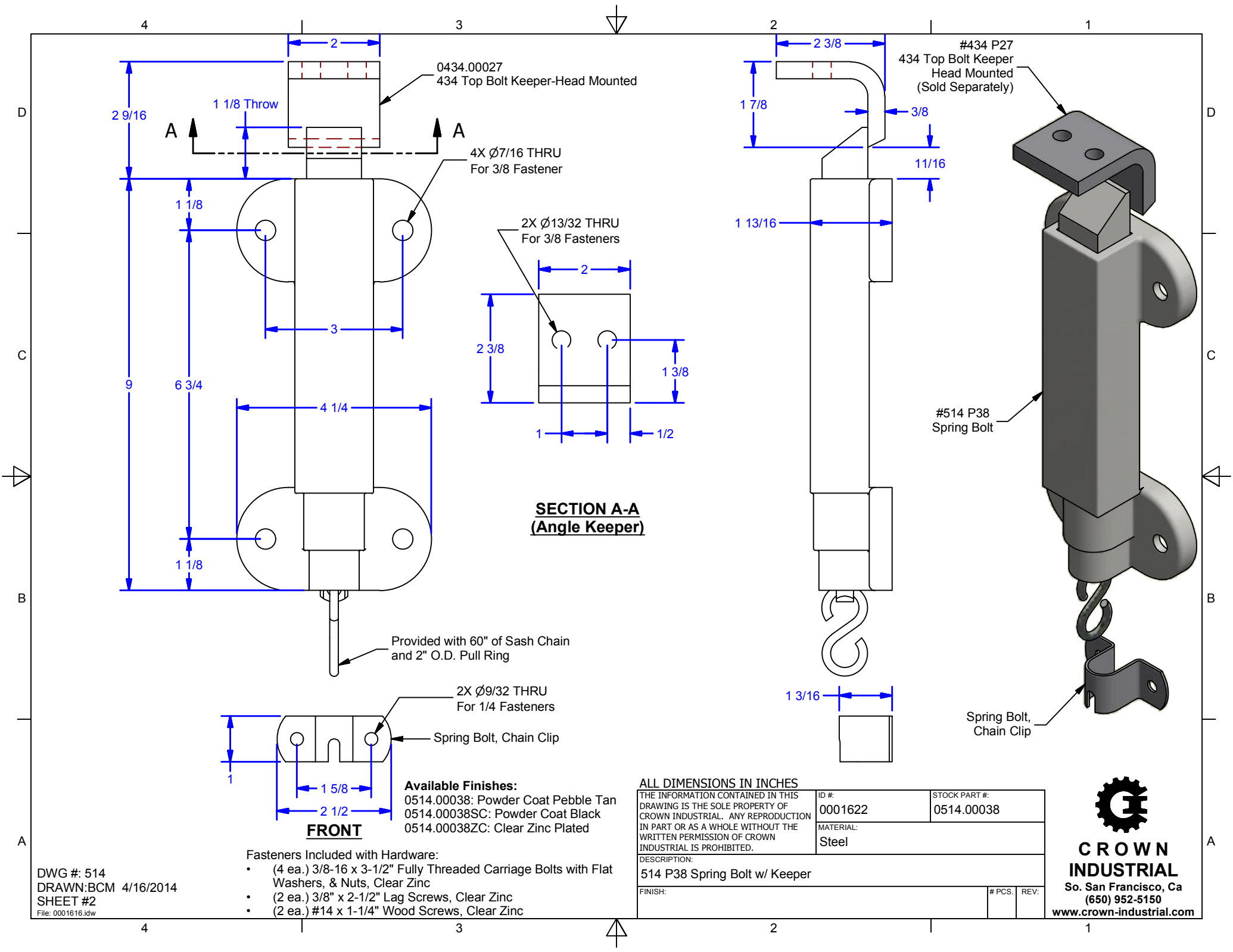
DWG #: 514  
 DRAWN:BCM 4/16/2014  
 SHEET #1  
 File: 0001616.idw

**ALL DIMENSIONS IN INCHES**

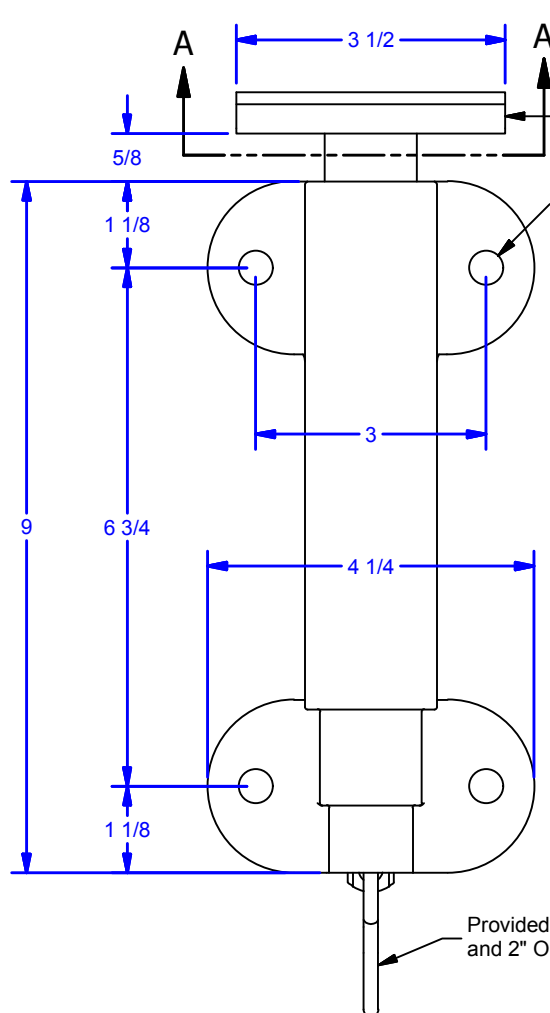
THE INFORMATION CONTAINED IN THIS DRAWING IS THE SOLE PROPERTY OF CROWN INDUSTRIAL. ANY REPRODUCTION IN PART OR AS A WHOLE WITHOUT THE WRITTEN PERMISSION OF CROWN INDUSTRIAL IS PROHIBITED.	ID #: 0001622	STOCK PART #: 0514.00038
DESCRIPTION: 514 P38 Spring Bolt w/ Keeper	MATERIAL: Steel	
FINISH:	# PCS:	REV:



**CROWN INDUSTRIAL**  
 So. San Francisco, Ca  
 (650) 952-5150  
 www.crown-industrial.com



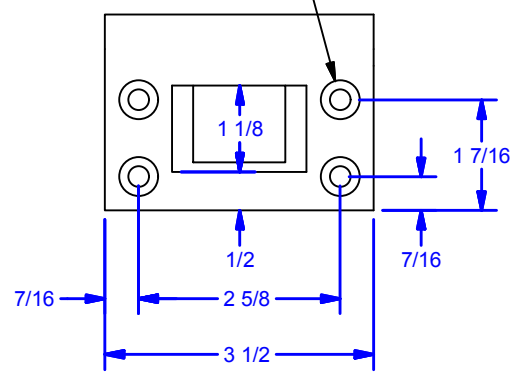
4 3 2 1



514-FK Flat Keeper for 514P38 Spring Bolt, S.S.

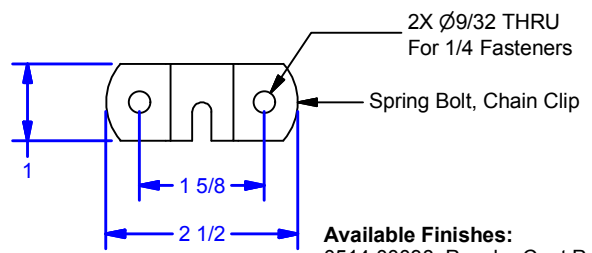
4X Ø7/16 THRU For 3/8 Fastener

4X Ø17/64 THRU For 1/4 Flat Head Fasteners (By Others)



**SECTION A-A**  
**(Flush Keeper)**

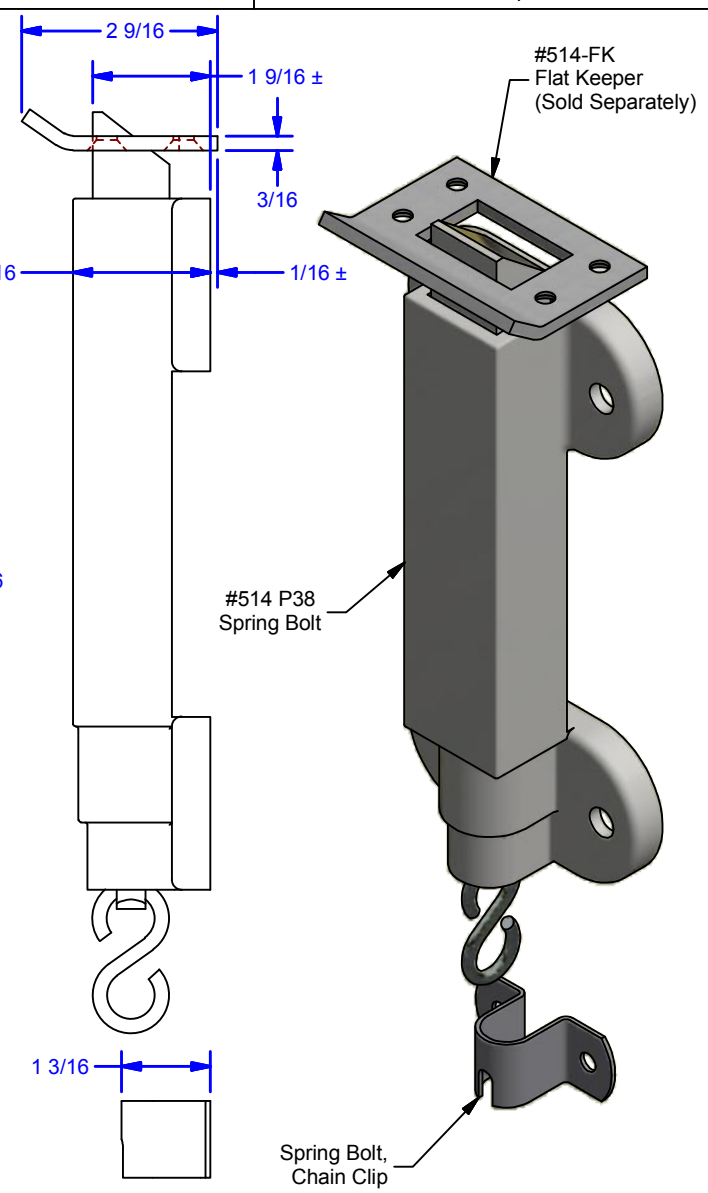
Provided with 60" of Sash Chain and 2" O.D. Pull Ring



**FRONT**

**Available Finishes:**  
0514.00038: Powder Coat Pebble Tan  
0514.00038SC: Powder Coat Black  
0514.00038ZC: Clear Zinc Plated

- Fasteners Included with Hardware:
- (4 ea.) 3/8-16 x 3-1/2" Fully Threaded Carriage Bolts with Flat Washers, & Nuts, Clear Zinc
  - (2 ea.) 3/8" x 2-1/2" Lag Screws, Clear Zinc
  - (2 ea.) #14 x 1-1/4" Wood Screws, Clear Zinc



#514-FK Flat Keeper (Sold Separately)

#514 P38 Spring Bolt

Spring Bolt, Chain Clip

**ALL DIMENSIONS IN INCHES**

THE INFORMATION CONTAINED IN THIS DRAWING IS THE SOLE PROPERTY OF CROWN INDUSTRIAL. ANY REPRODUCTION IN PART OR AS A WHOLE WITHOUT THE WRITTEN PERMISSION OF CROWN INDUSTRIAL IS PROHIBITED.

DESCRIPTION:  
**514 P38 Spring Bolt w/ Keeper**

ID #: 0001622  
MATERIAL: Steel

STOCK PART #: 0514.00038

FINISH: # PCS: REV:



**CROWN INDUSTRIAL**  
So. San Francisco, Ca  
(650) 952-5150  
www.crown-industrial.com

4 3 2 1