

4

3

2

1

D

D

C

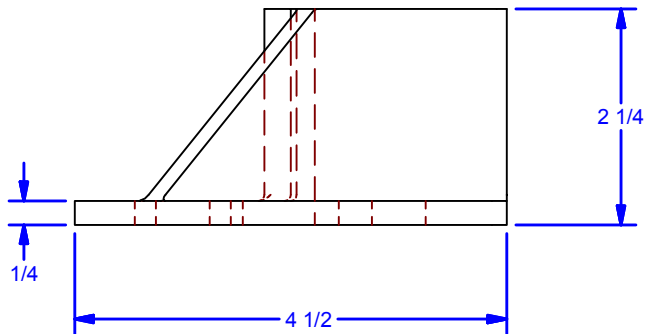
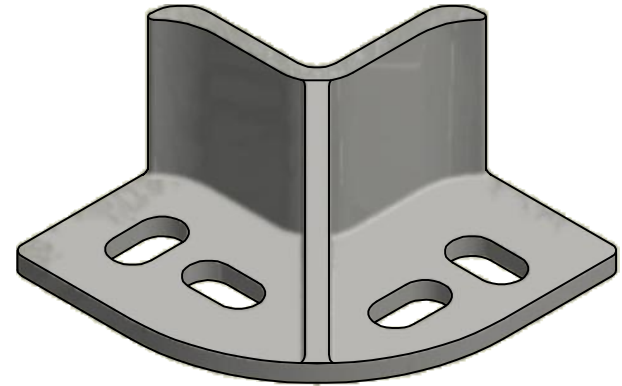
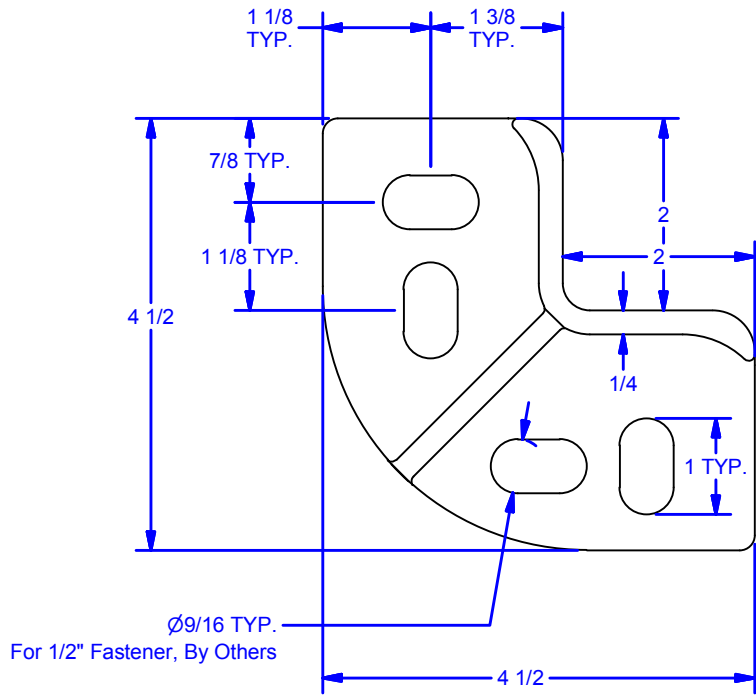
C

B

B

A

A



Available Finishes:
 0572.00001: Powder Coat Pebble Tan
 0572.00001SC: Powder Coat Black
 0572.0001ZC: Galvanized

ALL DIMENSIONS IN INCHES

THE INFORMATION CONTAINED IN THIS DRAWING IS THE SOLE PROPERTY OF CROWN INDUSTRIAL. ANY REPRODUCTION IN PART OR AS A WHOLE WITHOUT THE WRITTEN PERMISSION OF CROWN INDUSTRIAL IS PROHIBITED.	ID #:	0000522	STOCK PART #:	0572.00001
	MATERIAL:	Malleable Iron		
DESCRIPTION: End Stop (572P1)				
FINISH:		# PCS:		REV:



CROWN INDUSTRIAL

So. San Francisco, Ca
(650) 952-5150

www.crown-industrial.com

DWG #: 572P1
 DRAWN:BCM 1/12/2012
 SHEET #1

File: 0000522.idw

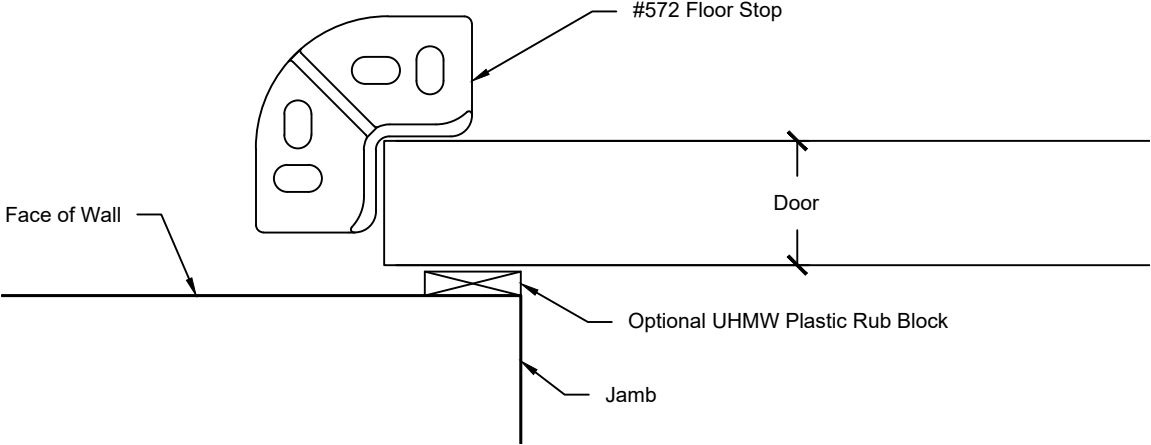
4

3

2

1

REVISIONS			
REV.	DESCRIPTION	DATE	APPROVED



1 Plan View: Sectional @ Jamb