

4

3

2

1

D

D

C

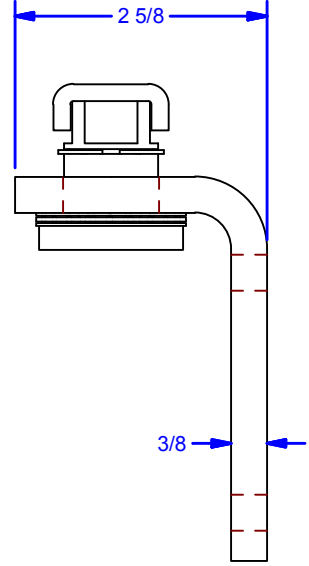
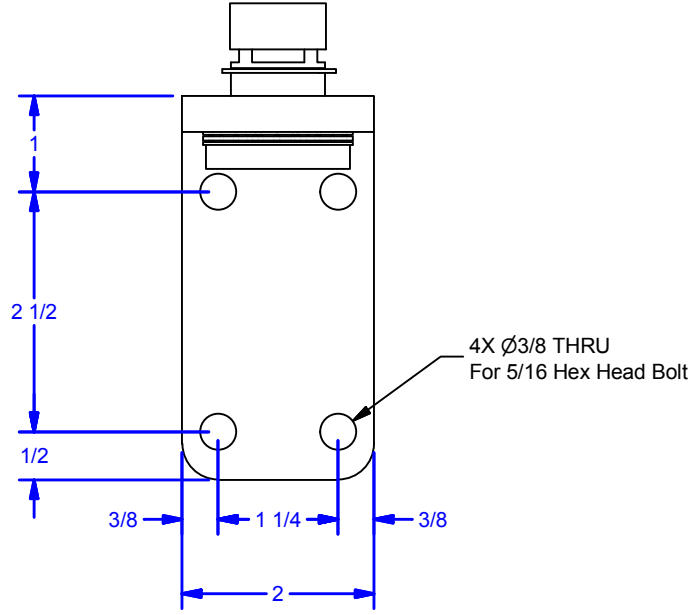
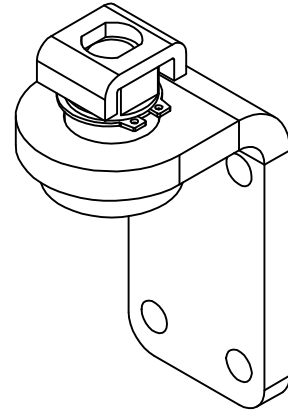
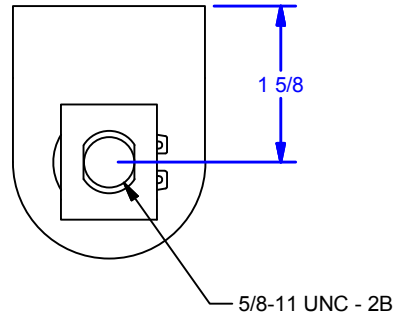
C

B

B

A

A



ALL DIMENSIONS IN INCHES

THE INFORMATION CONTAINED IN THIS DRAWING IS THE SOLE PROPERTY OF CROWN INDUSTRIAL. ANY REPRODUCTION IN PART OR AS A WHOLE WITHOUT THE WRITTEN PERMISSION OF CROWN INDUSTRIAL IS PROHIBITED.	ID #:	0002252	STOCK PART #:	5B442SWTKx1
	MATERIAL:			
DESCRIPTION: Keeper, Swivel, & Side Mount Bracket				
FINISH:	Zinc	# PCS:	1	REV:



**CROWN INDUSTRIAL**  
 So. San Francisco, Ca  
 (650) 952-5150  
[www.crown-industrial.com](http://www.crown-industrial.com)

DWG #: 0000108  
 DRAWN:BCM 3/23/2016  
 SHEET #6  
 File: 0000108.idw

4

3

2

1

