

4

3

2

1

D

D

C

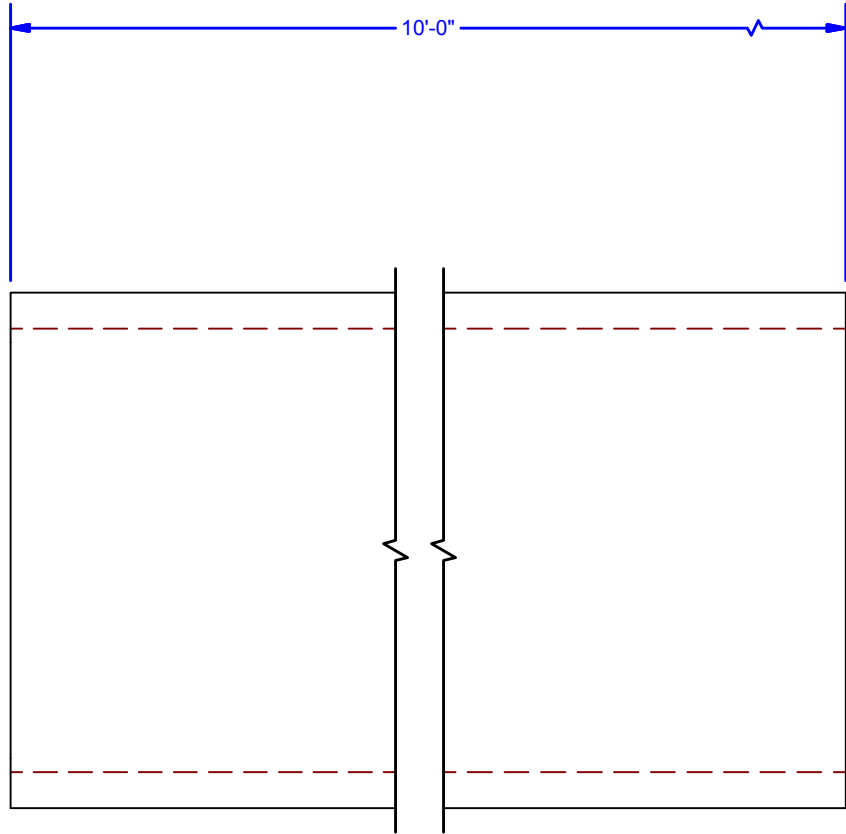
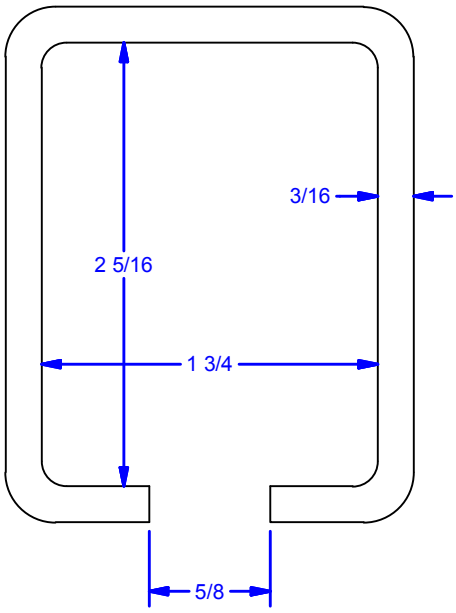
C

B

B

A

A



ALL DIMENSIONS IN INCHES

THE INFORMATION CONTAINED IN THIS DRAWING IS THE SOLE PROPERTY OF CROWN INDUSTRIAL. ANY REPRODUCTION IN PART OR AS A WHOLE WITHOUT THE WRITTEN PERMISSION OF CROWN INDUSTRIAL IS PROHIBITED.

|           |             |
|-----------|-------------|
| ID #:     | 0000107     |
| MATERIAL: | Steel, Mild |

|               |      |
|---------------|------|
| STOCK PART #: | 5-10 |
|---------------|------|

DESCRIPTION:

#5 Track

FINISH:

Powder Coat / HDG

|        |   |      |  |
|--------|---|------|--|
| # PCS: | 1 | REV: |  |
|--------|---|------|--|



**CROWN INDUSTRIAL**

So. San Francisco, Ca  
(650) 952-5150

[www.crown-industrial.com](http://www.crown-industrial.com)

DWG #: 0002059  
DRAWN:BCM 2/9/2007  
SHEET #2  
File: 0002059.idw

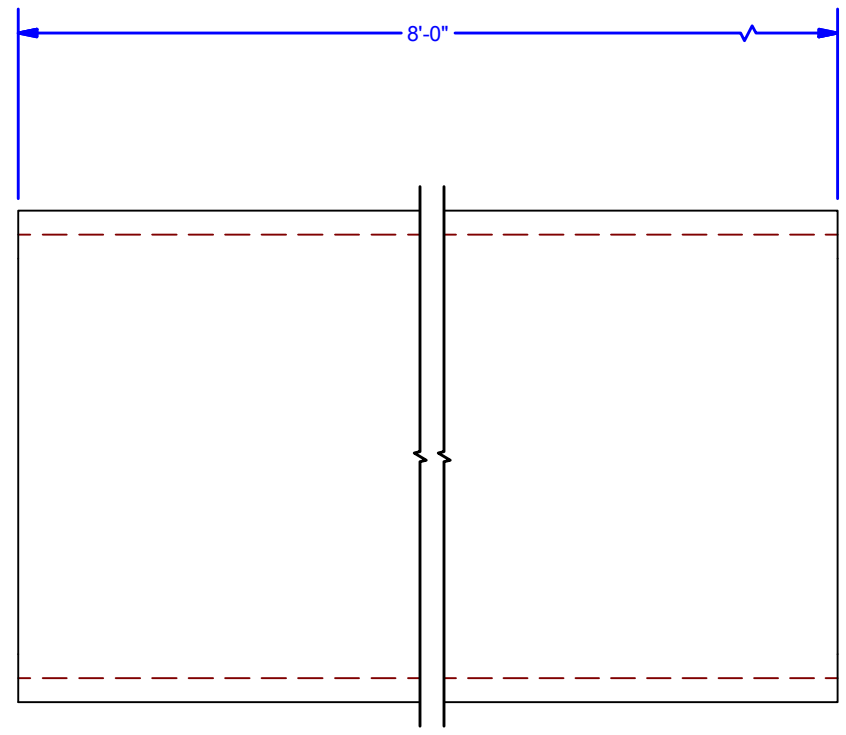
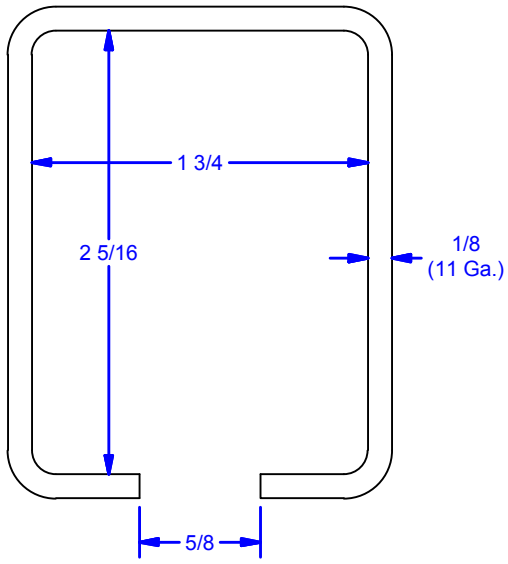
4

3

2

1





DWG #: 0002059  
 DRAWN: BCM 2/9/2007  
 SHEET #8  
 File: 0002059.idw

**ALL DIMENSIONS IN INCHES**

|  |           |                          |               |      |
|--|-----------|--------------------------|---------------|------|
| THE INFORMATION CONTAINED IN THIS DRAWING IS THE SOLE PROPERTY OF CROWN INDUSTRIAL. ANY REPRODUCTION IN PART OR AS A WHOLE WITHOUT THE WRITTEN PERMISSION OF CROWN INDUSTRIAL IS PROHIBITED. | ID #:     | 0002145                  | STOCK PART #: | 5S-8 |
|  | MATERIAL: | Stainless Steel AISI 304 |               |      |
| DESCRIPTION:<br>#5 Track   |           |                          |               |      |
| FINISH:  | 2B        | # PCS:                   | 1             | REV: |



**CROWN INDUSTRIAL**  
 So. San Francisco, Ca  
 (650) 952-5150  
 www.crown-industrial.com

4

3

2

1

D

D

C

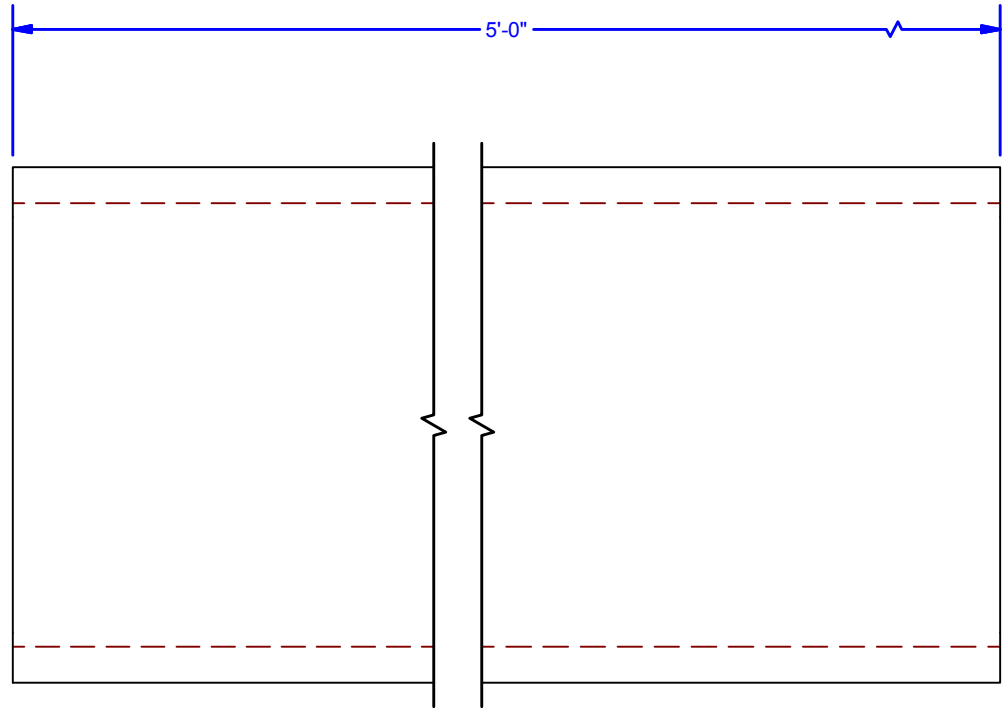
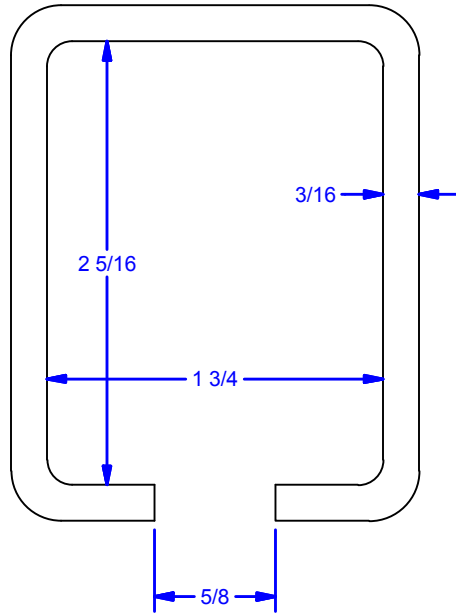
C

B

B

A

A



ALL DIMENSIONS IN INCHES

|  |           |                          |               |      |
|--|-----------|--------------------------|---------------|------|
| THE INFORMATION CONTAINED IN THIS DRAWING IS THE SOLE PROPERTY OF CROWN INDUSTRIAL. ANY REPRODUCTION IN PART OR AS A WHOLE WITHOUT THE WRITTEN PERMISSION OF CROWN INDUSTRIAL IS PROHIBITED. | ID #:     | 0002146                  | STOCK PART #: | 5S-5 |
|  | MATERIAL: | Stainless Steel AISI 304 |               |      |
| DESCRIPTION:<br>#5 Track   |           |                          |               |      |
| FINISH:  | 2B        | # PCS:                   | 1             | REV: |



**CROWN INDUSTRIAL**

So. San Francisco, Ca  
(650) 952-5150

[www.crown-industrial.com](http://www.crown-industrial.com)

DWG #: 0002059  
DRAWN:BCM 2/9/2007  
SHEET #7

File: 0002059.idw

4

3

2

1

