

4

3

2

1

D

D

C

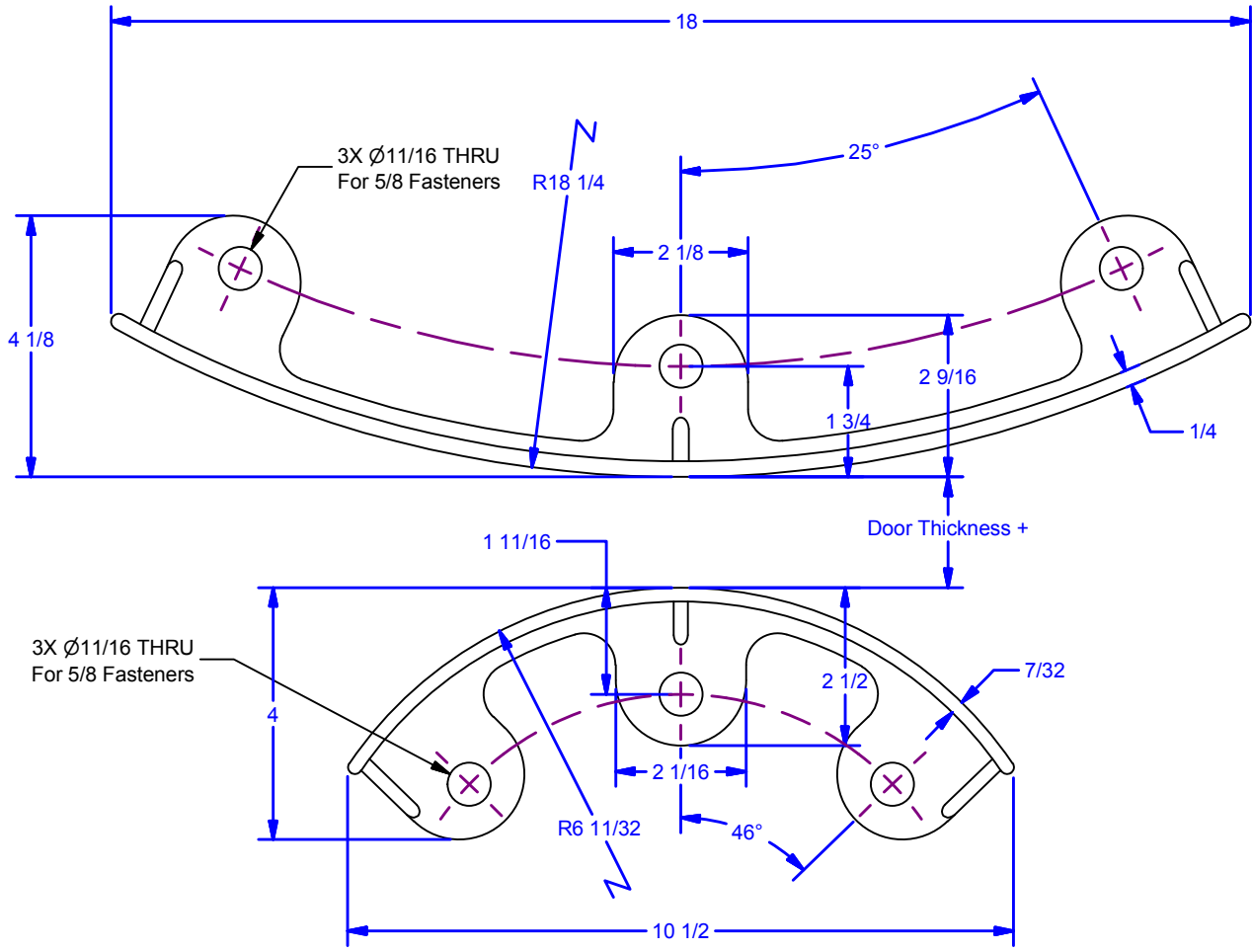
C

B

B

A

A



DWG #: 0002520
 DRAWN: BCM 7/11/2017
 SHEET #1
 File: 0002520.idw

Drawing is for Reference Only

ALL DIMENSIONS IN INCHES

THE INFORMATION CONTAINED IN THIS DRAWING IS THE SOLE PROPERTY OF CROWN INDUSTRIAL. ANY REPRODUCTION IN PART OR AS A WHOLE WITHOUT THE WRITTEN PERMISSION OF CROWN INDUSTRIAL IS PROHIBITED.

ID #:	0002520	STOCK PART #:	0771.00003
MATERIAL:	Malleable Iron		

DESCRIPTION:			
Door Guide Set			
FINISH:		# PCS:	REV:
Powder Coat		1	



CROWN INDUSTRIAL
 So. San Francisco, Ca
 (650) 952-5150
 www.crown-industrial.com

4

3

2

1

