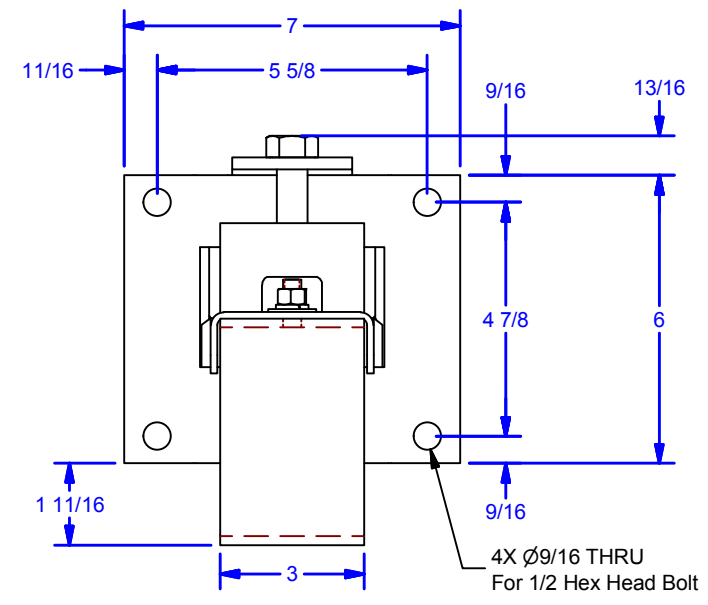
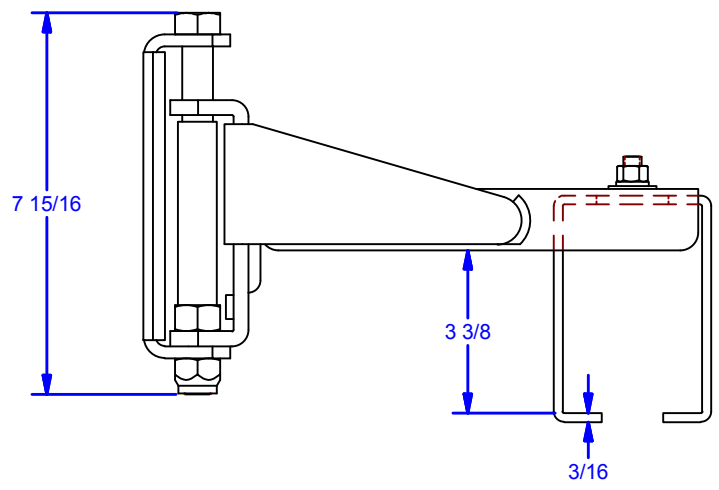
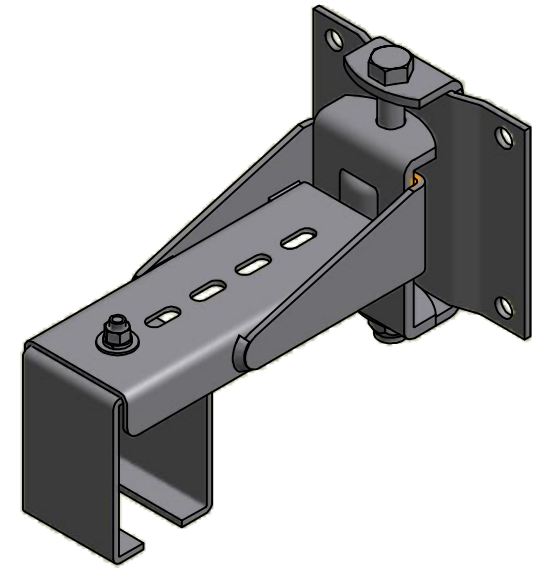
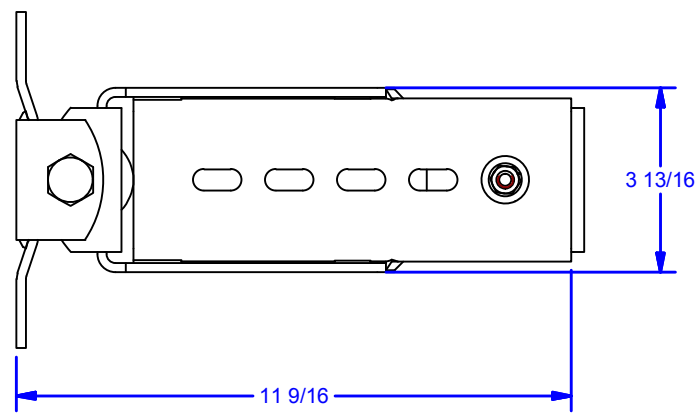


4 3 2 1

D
C
B
A



ALL DIMENSIONS IN INCHES

THE INFORMATION CONTAINED IN THIS DRAWING IS THE SOLE PROPERTY OF CROWN INDUSTRIAL. ANY REPRODUCTION IN PART OR AS A WHOLE WITHOUT THE WRITTEN PERMISSION OF CROWN INDUSTRIAL IS PROHIBITED.	ID #:	0001266	STOCK PART #:	9035-P100
	MATERIAL:			
DESCRIPTION: Intermediate Bracket Assembly				
FINISH: Powder Coat			# PCS:	1
			REV.:	



CROWN INDUSTRIAL
So. San Francisco, Ca
(650) 952-5150
www.crown-industrial.com

DWG #: 9035
DRAWN: BCM 4/30/2013
SHEET #4
File: 0001253.idw

4 3 2 1

