

4

3

2

1

D

D

C

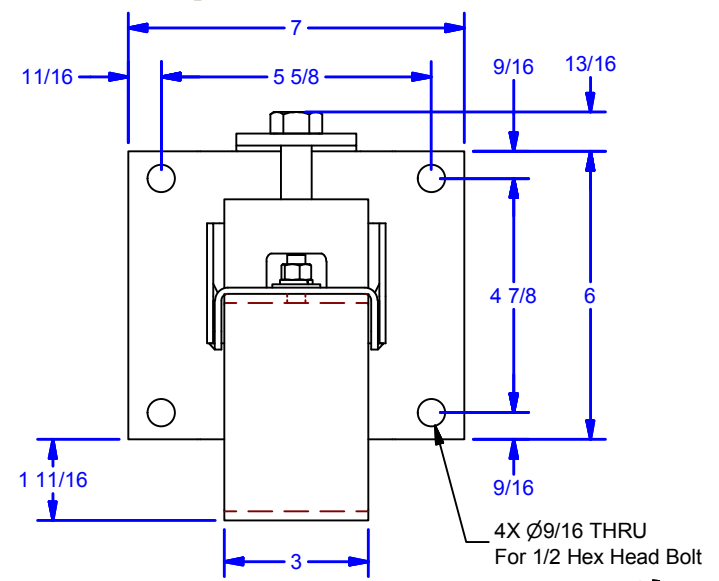
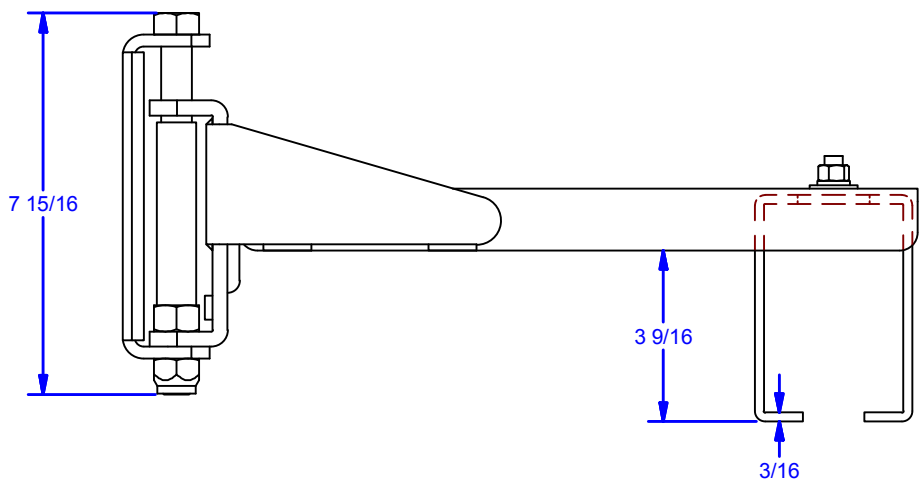
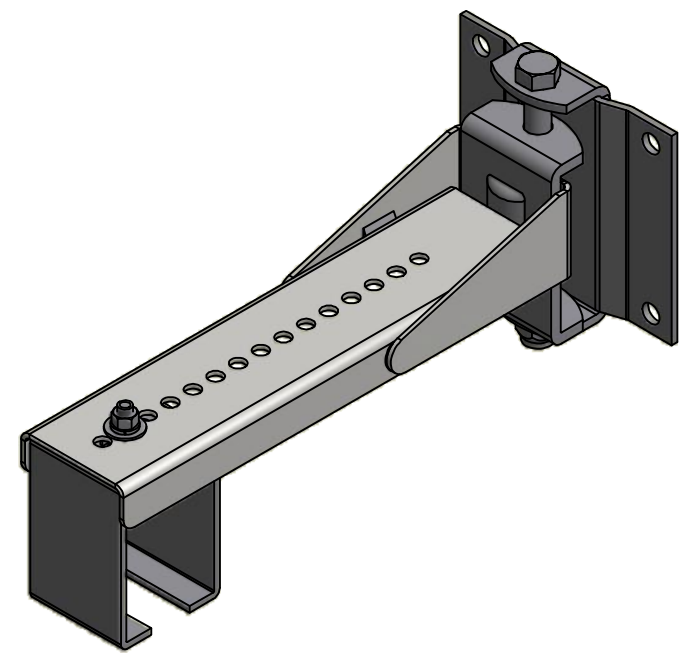
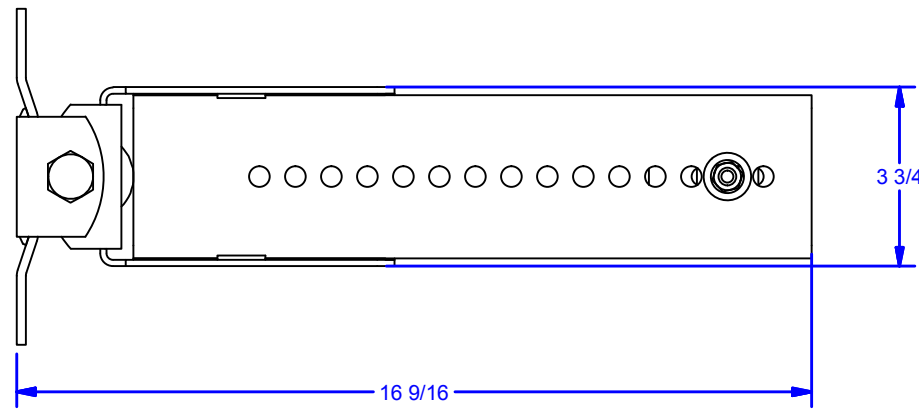
C

B

B

A

A



ALL DIMENSIONS IN INCHES

THE INFORMATION CONTAINED IN THIS DRAWING IS THE SOLE PROPERTY OF CROWN INDUSTRIAL. ANY REPRODUCTION IN PART OR AS A WHOLE WITHOUT THE WRITTEN PERMISSION OF CROWN INDUSTRIAL IS PROHIBITED.

DESCRIPTION:

End Bracket Assembly

FINISH: Powder Coat

ID #: 0002031

MATERIAL:

STOCK PART #: 9035-P105

# PCS: 1

REV:

DWG #: 9035  
DRAWN:BCM 4/30/2013  
SHEET #5  
File: 0001253.idw



**CROWN INDUSTRIAL**  
So. San Francisco, Ca  
(650) 952-5150  
www.crown-industrial.com

4

3

2

1

