

Ø7/16 THRU
For 3/8 Hex Head Bolt

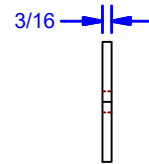
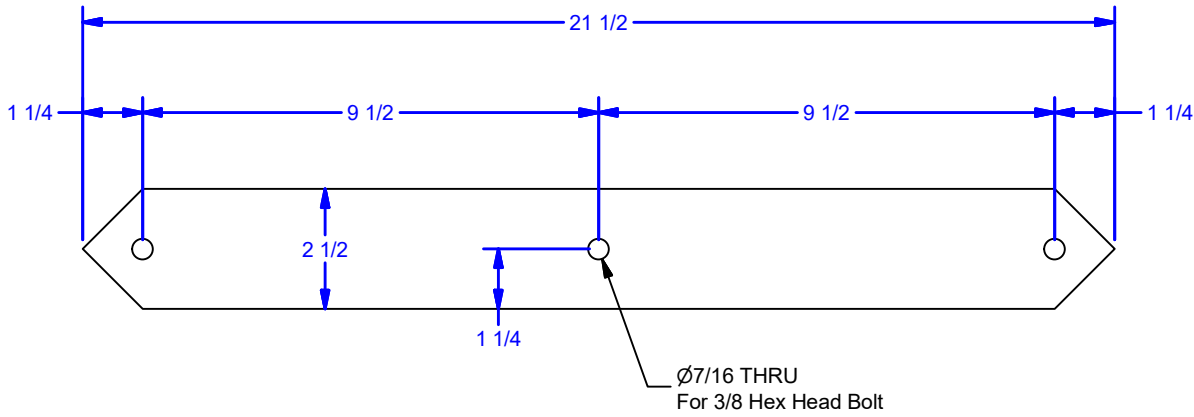
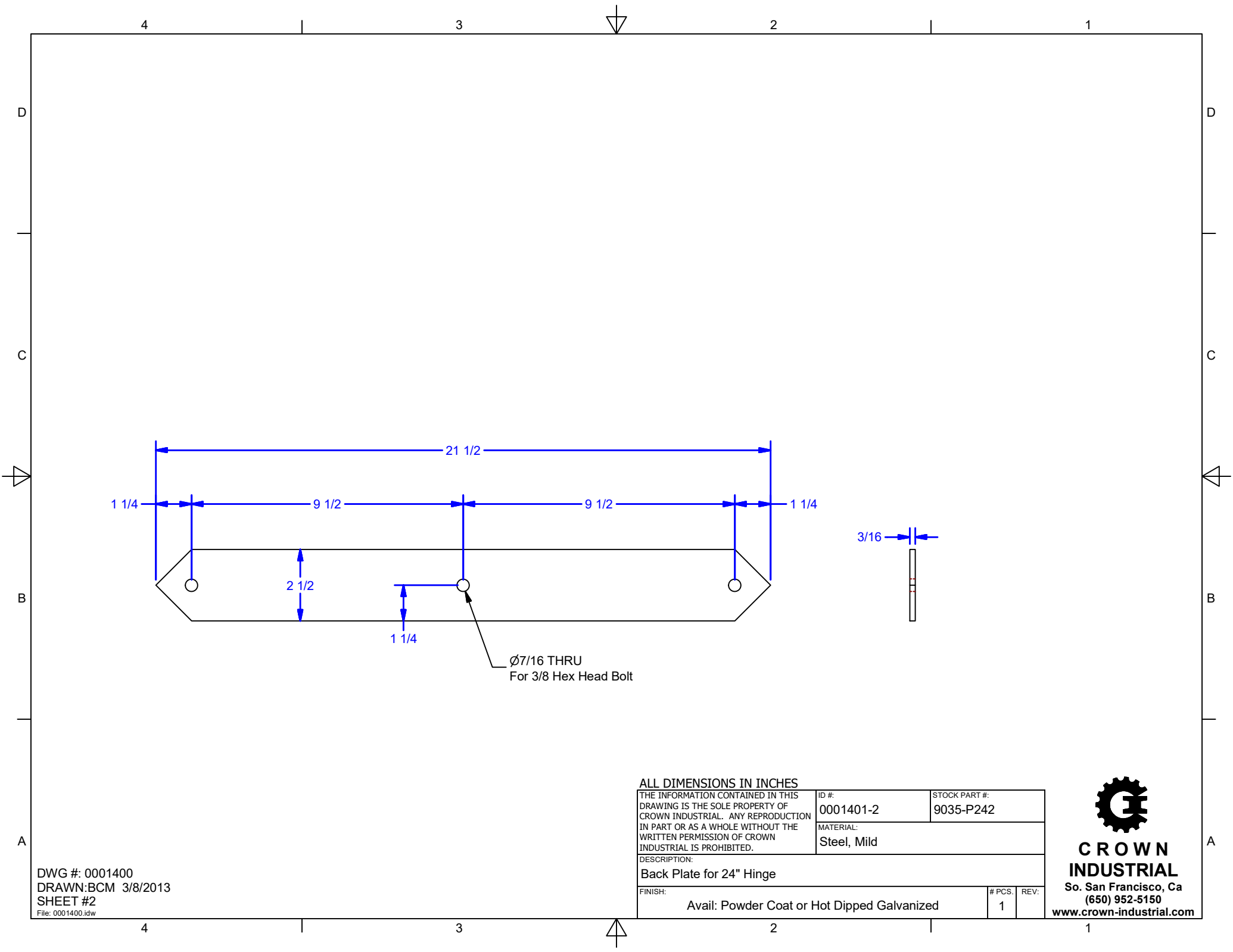
ALL DIMENSIONS IN INCHES

THE INFORMATION CONTAINED IN THIS DRAWING IS THE SOLE PROPERTY OF CROWN INDUSTRIAL. ANY REPRODUCTION IN PART OR AS A WHOLE WITHOUT THE WRITTEN PERMISSION OF CROWN INDUSTRIAL IS PROHIBITED.	ID #:	0001401-1	STOCK PART #:	9035-P241
	MATERIAL:	Steel, Mild		
DESCRIPTION: Back Plate for 19" Hinge				
FINISH:	Avail: Powder Coat or Hot Dipped Galvanized		# PCS:	1
			REV:	



CROWN INDUSTRIAL
So. San Francisco, Ca
(650) 952-5150
www.crown-industrial.com

DWG #: 0001400
DRAWN: BCM 3/8/2013
SHEET #1
File: 0001400.idw



Ø7/16 THRU
For 3/8 Hex Head Bolt

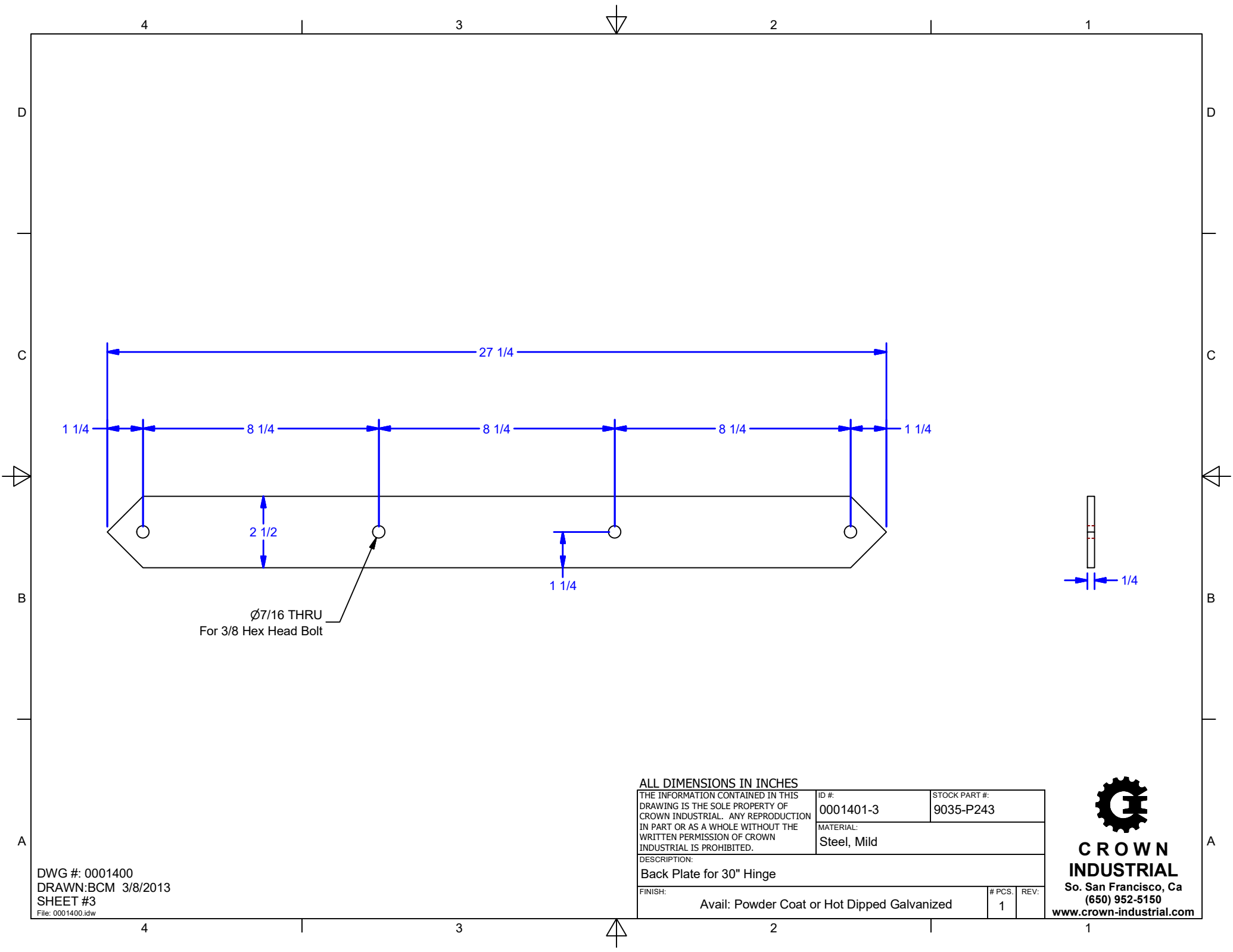
ALL DIMENSIONS IN INCHES

THE INFORMATION CONTAINED IN THIS DRAWING IS THE SOLE PROPERTY OF CROWN INDUSTRIAL. ANY REPRODUCTION IN PART OR AS A WHOLE WITHOUT THE WRITTEN PERMISSION OF CROWN INDUSTRIAL IS PROHIBITED.	ID #:	0001401-2	STOCK PART #:	9035-P242
	MATERIAL:	Steel, Mild		
DESCRIPTION: Back Plate for 24" Hinge				
FINISH:	Avail: Powder Coat or Hot Dipped Galvanized		# PCS:	1
			REV:	



CROWN INDUSTRIAL
So. San Francisco, Ca
(650) 952-5150
www.crown-industrial.com

DWG #: 0001400
DRAWN: BCM 3/8/2013
SHEET #2
File: 0001400.idw



Ø7/16 THRU
For 3/8 Hex Head Bolt

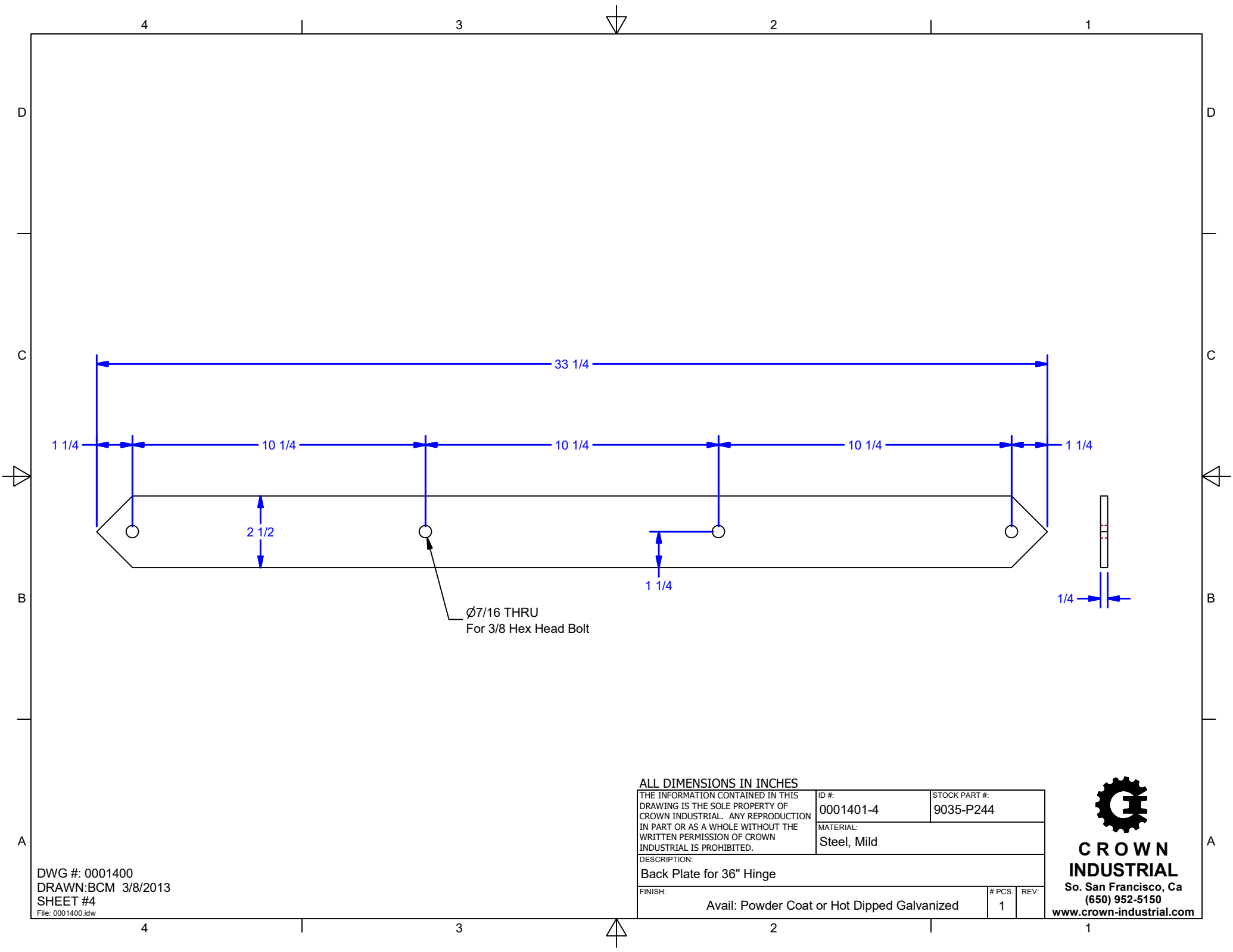
ALL DIMENSIONS IN INCHES

THE INFORMATION CONTAINED IN THIS DRAWING IS THE SOLE PROPERTY OF CROWN INDUSTRIAL. ANY REPRODUCTION IN PART OR AS A WHOLE WITHOUT THE WRITTEN PERMISSION OF CROWN INDUSTRIAL IS PROHIBITED.	ID #:	0001401-3	STOCK PART #:	9035-P243
	MATERIAL:	Steel, Mild		
DESCRIPTION: Back Plate for 30" Hinge				
FINISH:	Avail: Powder Coat or Hot Dipped Galvanized		# PCS:	1
			REV:	

DWG #: 0001400
DRAWN: BCM 3/8/2013
SHEET #3
File: 0001400.idw



CROWN INDUSTRIAL
So. San Francisco, Ca
(650) 952-5150
www.crown-industrial.com



Ø7/16 THRU
For 3/8 Hex Head Bolt

ALL DIMENSIONS IN INCHES

THE INFORMATION CONTAINED IN THIS DRAWING IS THE SOLE PROPERTY OF CROWN INDUSTRIAL. ANY REPRODUCTION IN PART OR AS A WHOLE WITHOUT THE WRITTEN PERMISSION OF CROWN INDUSTRIAL IS PROHIBITED.

ID #: 0001401-4
MATERIAL: Steel, Mild

STOCK PART #: 9035-P244

DESCRIPTION:

Back Plate for 36" Hinge

FINISH:

Avail: Powder Coat or Hot Dipped Galvanized

# PCS:	1
REV:	

DWG #: 0001400
DRAWN: BCM 3/8/2013
SHEET #4

File: 0001400.idw



CROWN INDUSTRIAL

So. San Francisco, Ca
(650) 952-5150

www.crown-industrial.com