

DWG #: 9035  
 DRAWN: BCM 11/13/2008  
 SHEET #1  
 File: 0001650.idw

**ALL DIMENSIONS IN INCHES**

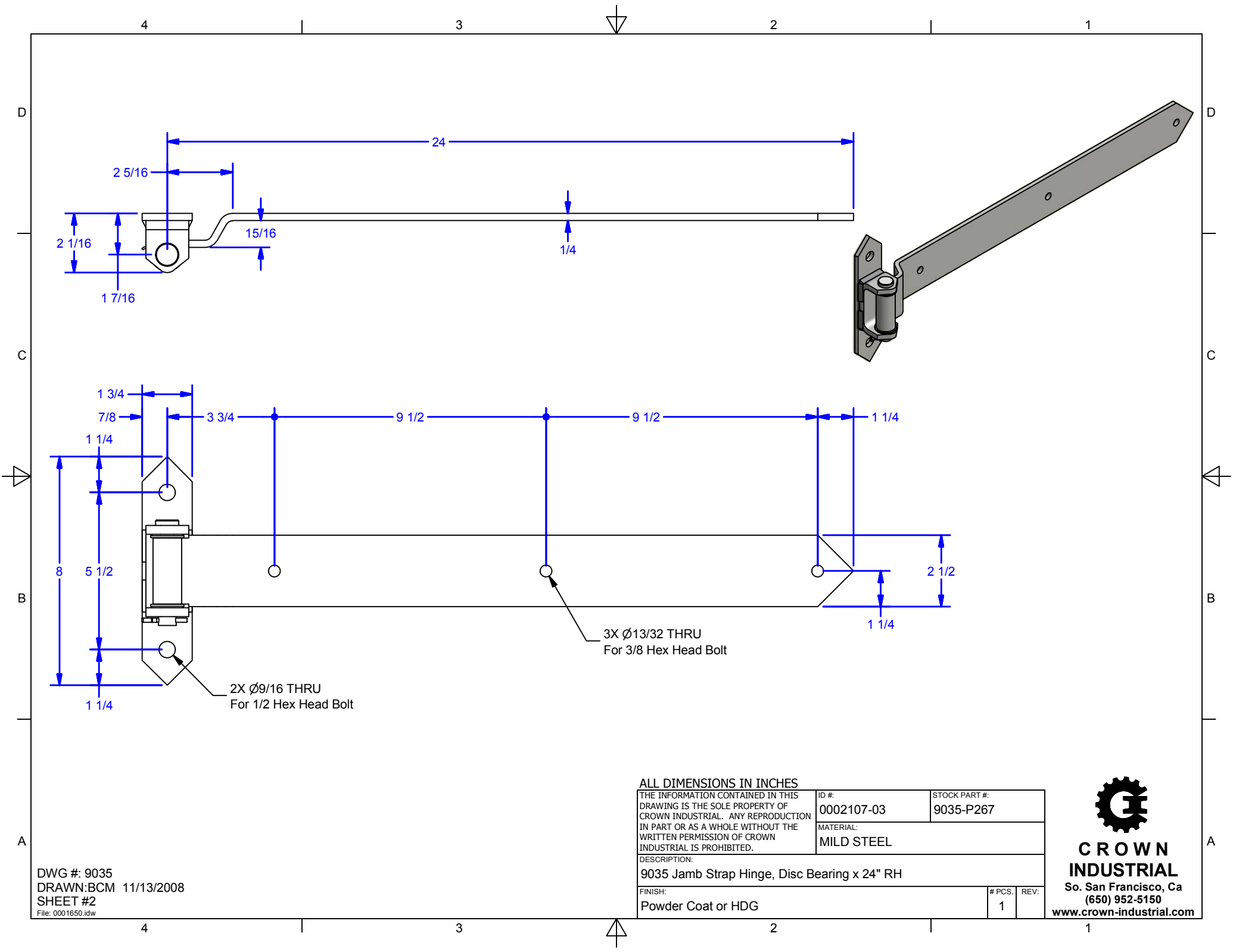
THE INFORMATION CONTAINED IN THIS DRAWING IS THE SOLE PROPERTY OF CROWN INDUSTRIAL. ANY REPRODUCTION IN PART OR AS A WHOLE WITHOUT THE WRITTEN PERMISSION OF CROWN INDUSTRIAL IS PROHIBITED.	ID #:	0002107-01	STOCK PART #:	9035-P266
	MATERIAL:	MILD STEEL		
DESCRIPTION: 9035 Jamb Strap Hinge, Disc Bearing x 19" RH				
FINISH:	Powder Coat or HDG		# PCS:	1
			REV:	



**CROWN INDUSTRIAL**

So. San Francisco, Ca  
 (650) 952-5150

www.crown-industrial.com



DWG #: 9035  
 DRAWN:BCM 11/13/2008  
 SHEET #2  
 File: 0001650.idw

ALL DIMENSIONS IN INCHES

THE INFORMATION CONTAINED IN THIS DRAWING IS THE SOLE PROPERTY OF CROWN INDUSTRIAL. ANY REPRODUCTION IN PART OR AS A WHOLE WITHOUT THE WRITTEN PERMISSION OF CROWN INDUSTRIAL IS PROHIBITED.	ID #:	0002107-03	STOCK PART #:	9035-P267
	MATERIAL:	MILD STEEL		
DESCRIPTION: 9035 Jamb Strap Hinge, Disc Bearing x 24" RH				
FINISH:	Powder Coat or HDG		# PCS:	1
			REV:	



**CROWN INDUSTRIAL**  
 So. San Francisco, Ca  
 (650) 952-5150  
 www.crown-industrial.com

4

3

2

1

D

D

C

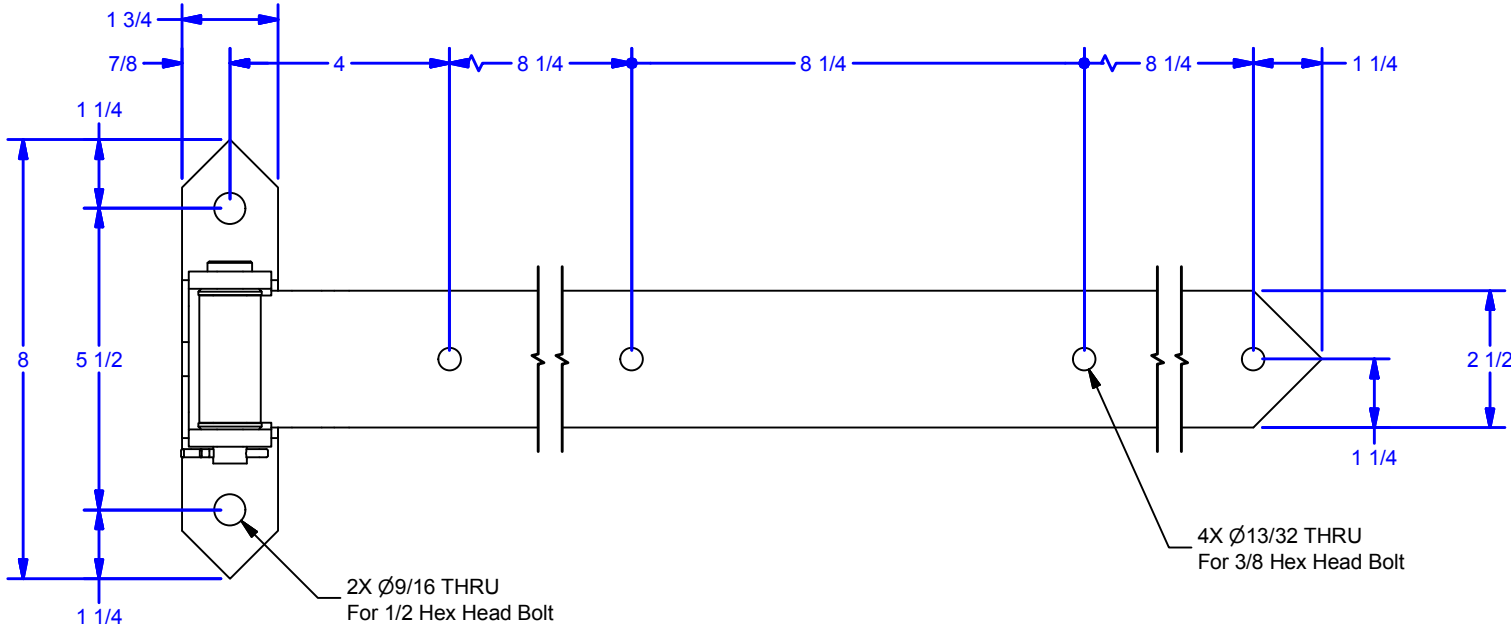
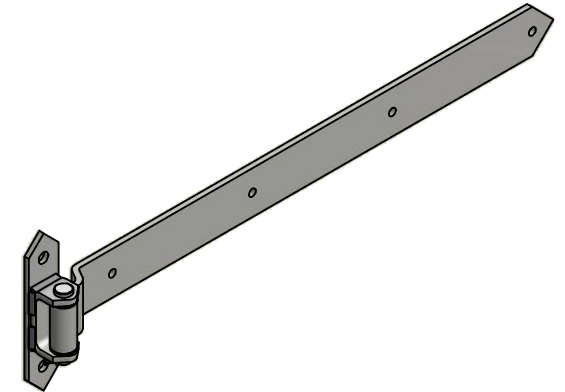
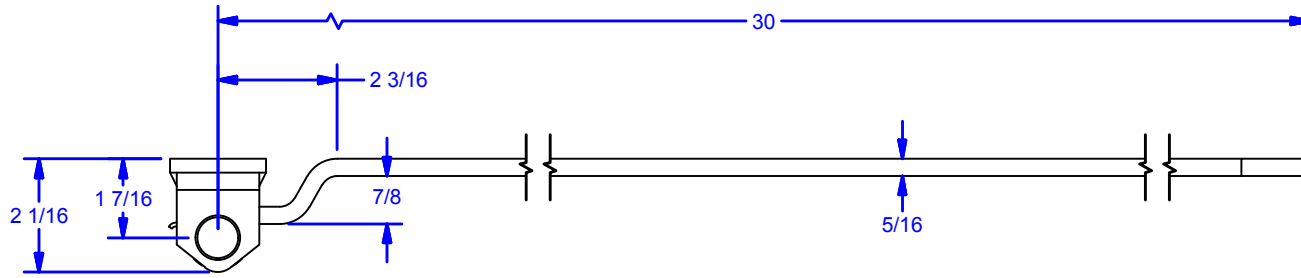
C

B

B

A

A



**ALL DIMENSIONS IN INCHES**

THE INFORMATION CONTAINED IN THIS DRAWING IS THE SOLE PROPERTY OF CROWN INDUSTRIAL. ANY REPRODUCTION IN PART OR AS A WHOLE WITHOUT THE WRITTEN PERMISSION OF CROWN INDUSTRIAL IS PROHIBITED.	ID #:	0002107-05	STOCK PART #:	9035-P268
	MATERIAL:		MILD STEEL	
DESCRIPTION:				
9035 Jamb Strap Hinge, Disc Bearing x 30" RH				
FINISH:			# PCS:	REV:
Powder Coat or HDG			1	

DWG #: 9035  
 DRAWN:BCM 11/13/2008  
 SHEET #3  
 File: 0001650.idw

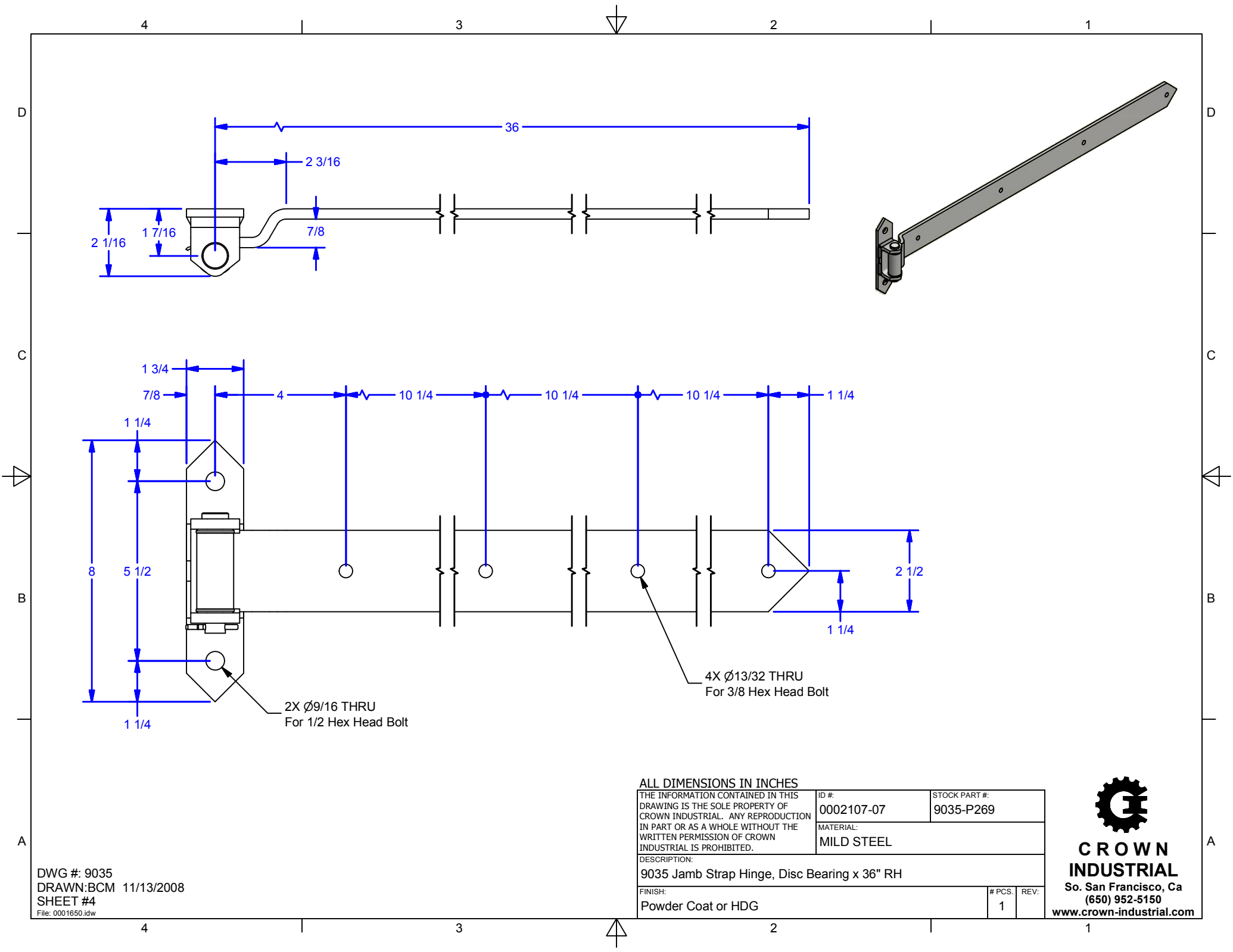
**CROWN INDUSTRIAL**  
 So. San Francisco, Ca  
 (650) 952-5150  
 www.crown-industrial.com

4

3

2

1



DWG #: 9035  
 DRAWN:BCM 11/13/2008  
 SHEET #4  
 File: 0001650.idw

**ALL DIMENSIONS IN INCHES**

THE INFORMATION CONTAINED IN THIS DRAWING IS THE SOLE PROPERTY OF CROWN INDUSTRIAL. ANY REPRODUCTION IN PART OR AS A WHOLE WITHOUT THE WRITTEN PERMISSION OF CROWN INDUSTRIAL IS PROHIBITED.	ID #:	0002107-07	STOCK PART #:	9035-P269
	MATERIAL:		MILD STEEL	
DESCRIPTION:				
9035 Jamb Strap Hinge, Disc Bearing x 36" RH				
FINISH:			# PCS:	REV:
Powder Coat or HDG			1	



**CROWN INDUSTRIAL**  
 So. San Francisco, Ca  
 (650) 952-5150  
 www.crown-industrial.com

4

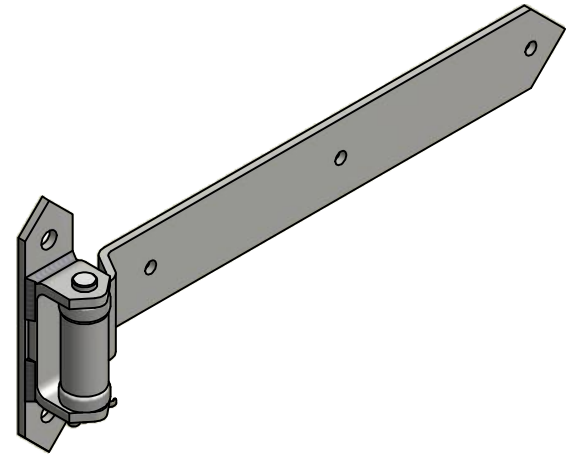
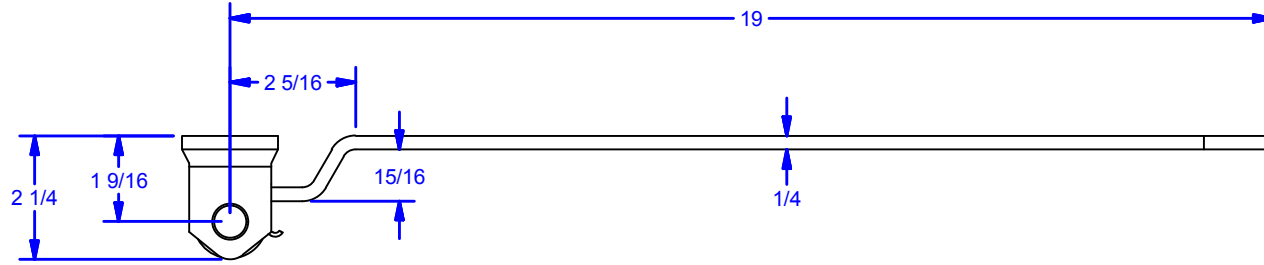
3

2

1

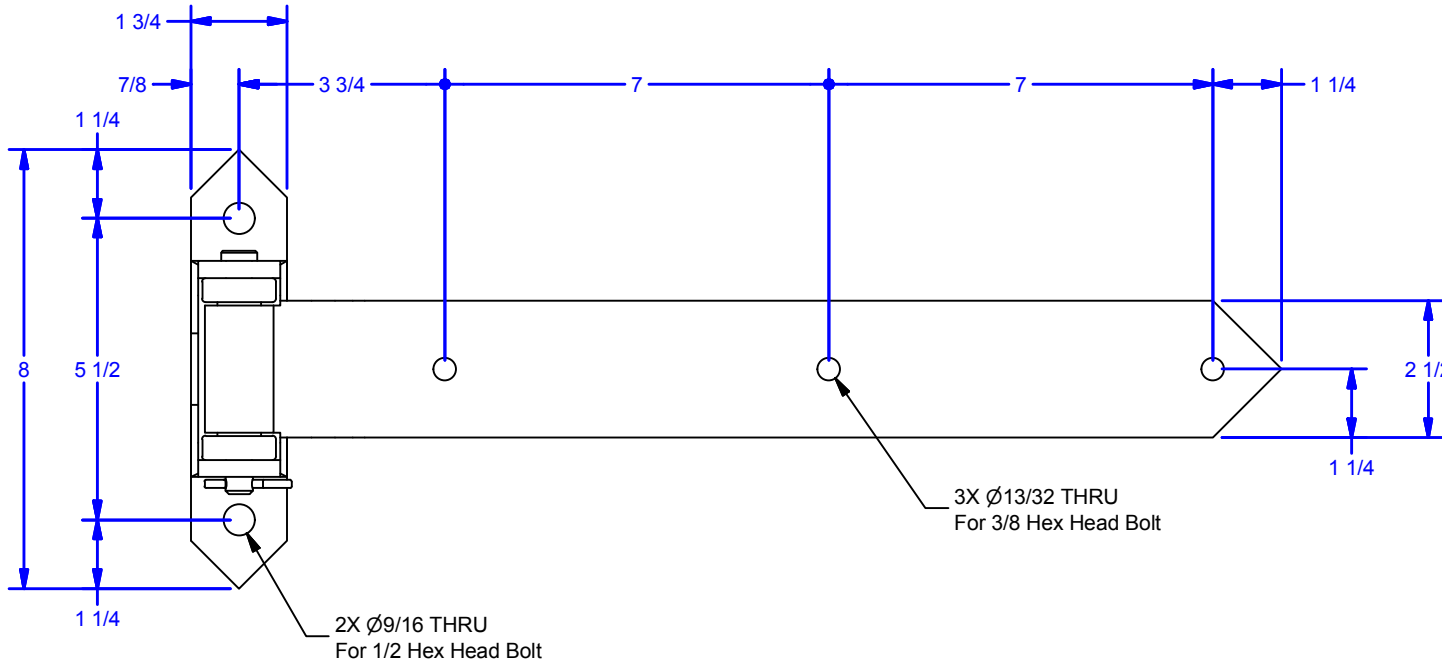
D

D



C

C



B

B

A

A

DWG #: 9035  
 DRAWN:BCM 11/13/2008  
 SHEET #5  
 File: 0001650.idw

**ALL DIMENSIONS IN INCHES**

THE INFORMATION CONTAINED IN THIS DRAWING IS THE SOLE PROPERTY OF CROWN INDUSTRIAL. ANY REPRODUCTION IN PART OR AS A WHOLE WITHOUT THE WRITTEN PERMISSION OF CROWN INDUSTRIAL IS PROHIBITED.	ID #:	0002107-09	STOCK PART #:	9035-P270
	MATERIAL:		MILD STEEL	
DESCRIPTION: 9035 Jamb Strap Hinge, Ball Bearing x 19" RH				
FINISH: Powder Coat or HDG			# PCS:	1
			REV:	



**CROWN INDUSTRIAL**  
 So. San Francisco, Ca  
 (650) 952-5150  
 www.crown-industrial.com

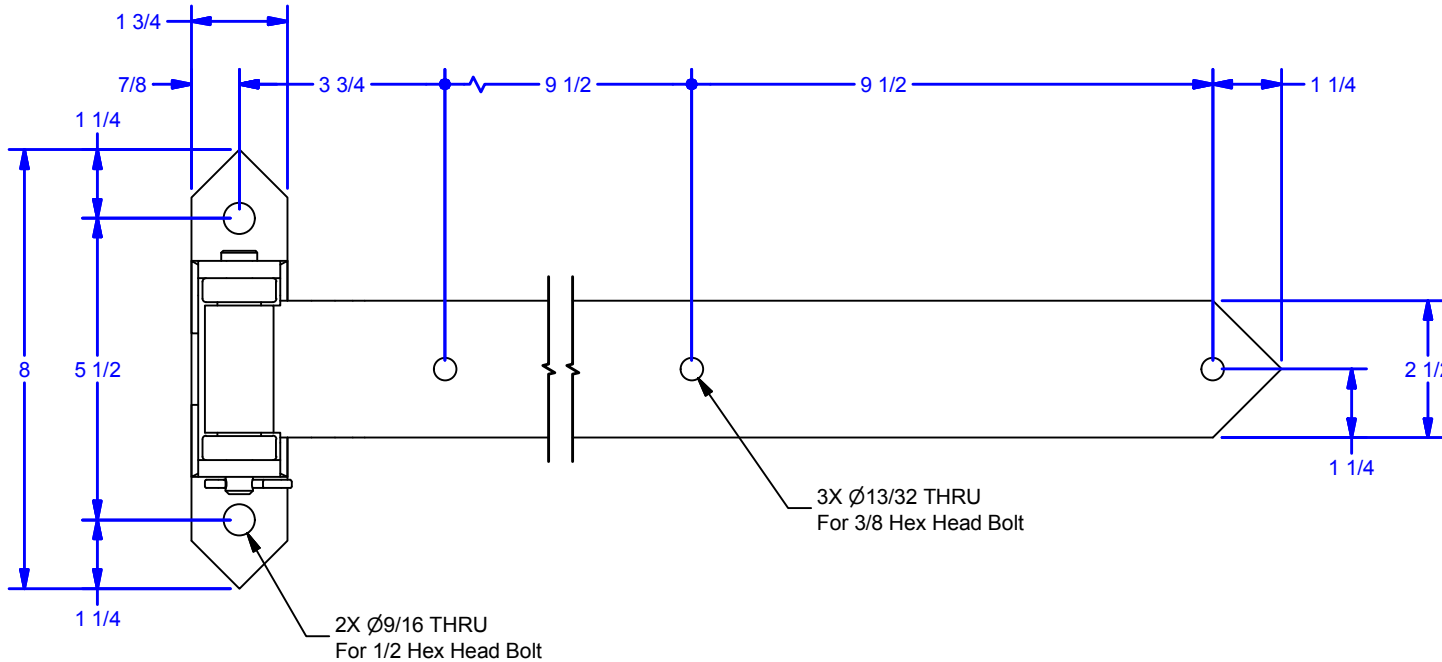
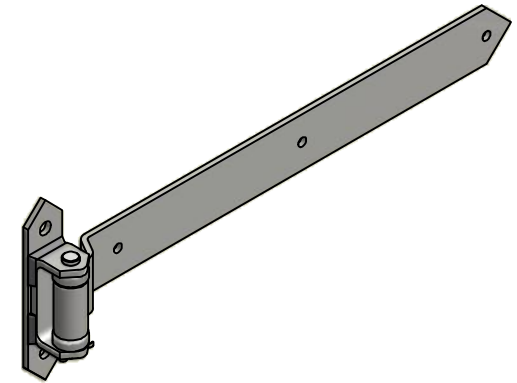
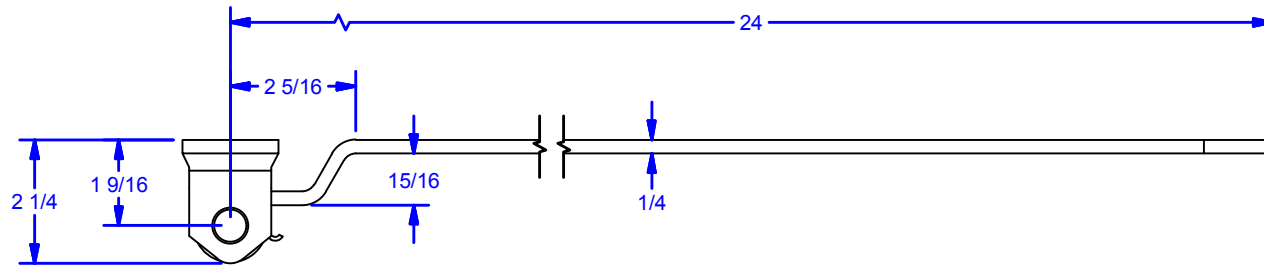
4

3

2

1





ALL DIMENSIONS IN INCHES

THE INFORMATION CONTAINED IN THIS DRAWING IS THE SOLE PROPERTY OF CROWN INDUSTRIAL. ANY REPRODUCTION IN PART OR AS A WHOLE WITHOUT THE WRITTEN PERMISSION OF CROWN INDUSTRIAL IS PROHIBITED.	ID #:	0002107-11	STOCK PART #:	9035-P271
	MATERIAL:	MILD STEEL		
DESCRIPTION: 9035 Jamb Strap Hinge, Ball Bearing x 24" RH				
FINISH:	Powder Coat or HDG		# PCS:	1
			REV:	1



**CROWN INDUSTRIAL**

So. San Francisco, Ca  
(650) 952-5150

www.crown-industrial.com

DWG #: 9035  
DRAWN:BCM 11/13/2008  
SHEET #6  
File: 0001650.idw

4

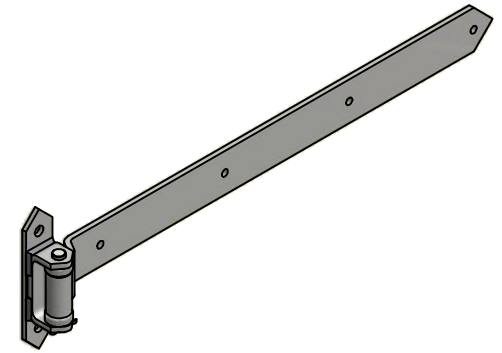
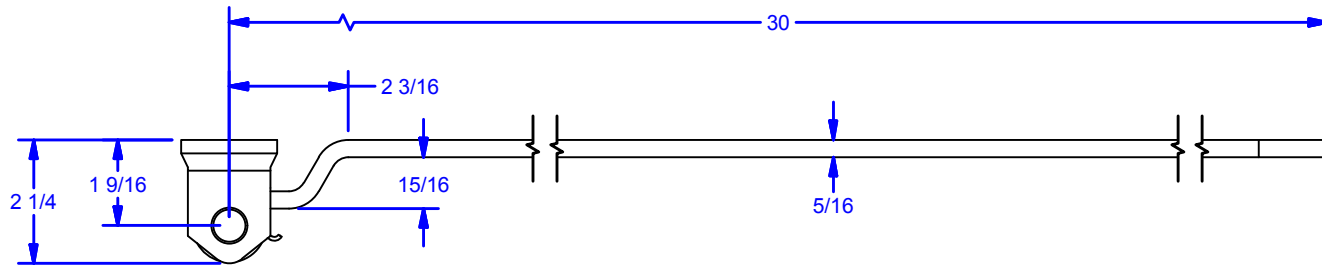
3

2

1

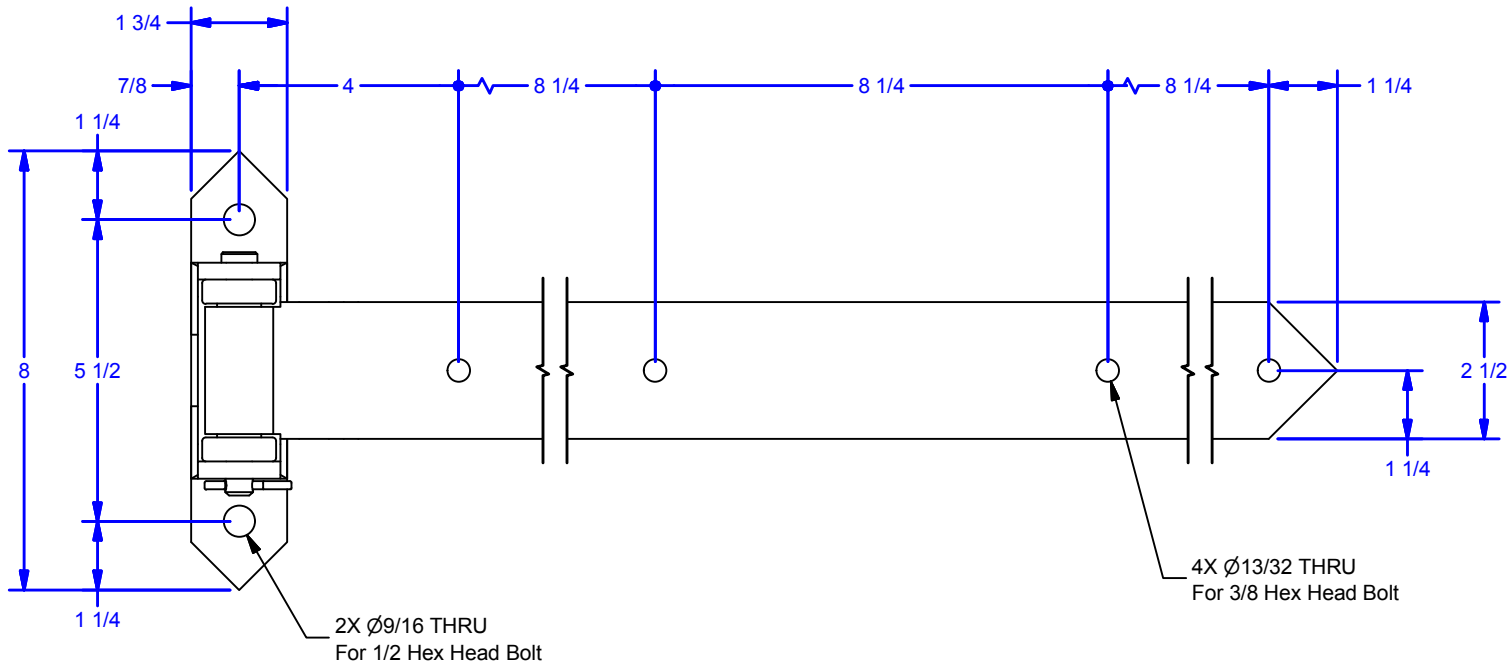
D

D



C

C



B

B

A

A

DWG #: 9035  
 DRAWN:BCM 11/13/2008  
 SHEET #7  
 File: 0001650.idw

**ALL DIMENSIONS IN INCHES**

THE INFORMATION CONTAINED IN THIS DRAWING IS THE SOLE PROPERTY OF CROWN INDUSTRIAL. ANY REPRODUCTION IN PART OR AS A WHOLE WITHOUT THE WRITTEN PERMISSION OF CROWN INDUSTRIAL IS PROHIBITED.	ID #:	0002107-13	STOCK PART #:	9035-P272
	MATERIAL:		MILD STEEL	
DESCRIPTION: 9035 Jamb Strap Hinge, Ball Bearing x 30" RH				
FINISH: Powder Coat or HDG			# PCS:	1
			REV:	



**CROWN INDUSTRIAL**  
 So. San Francisco, Ca  
 (650) 952-5150  
 www.crown-industrial.com

4

3

2

1



4

3

2

1

D

D

C

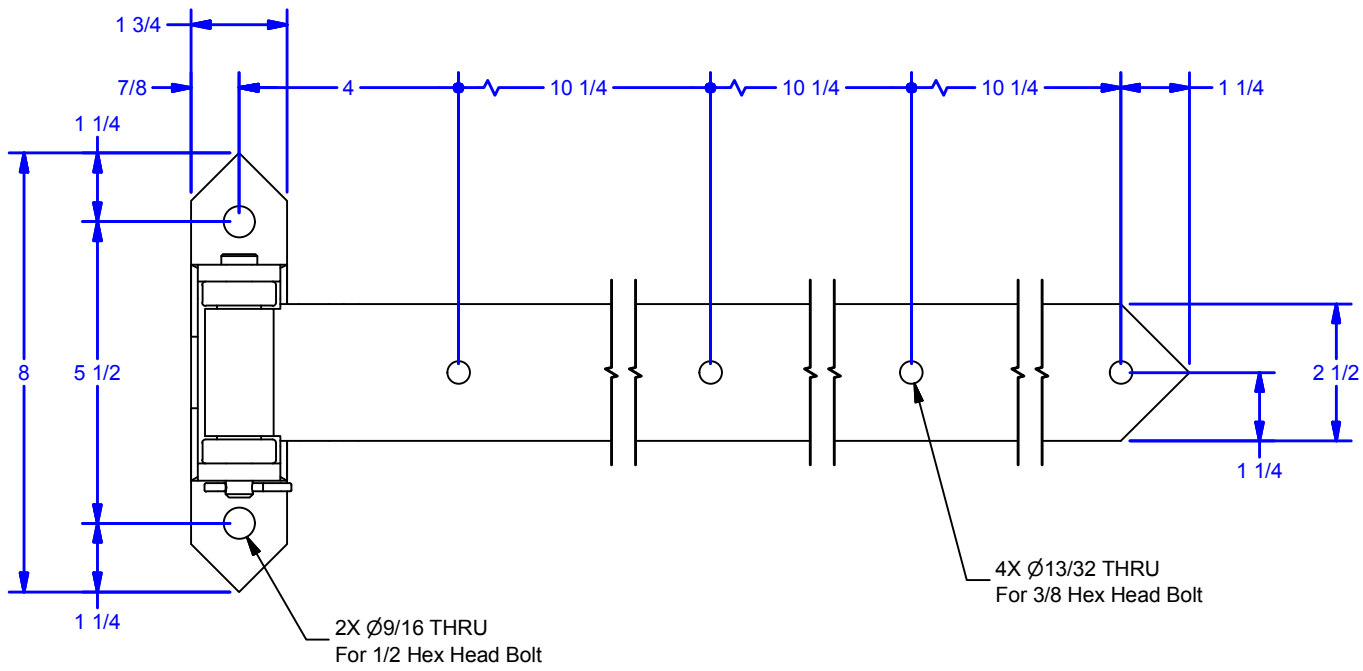
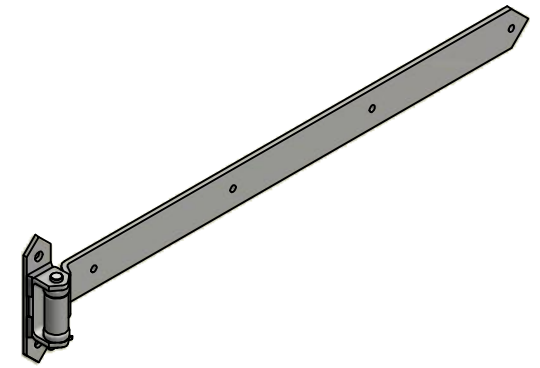
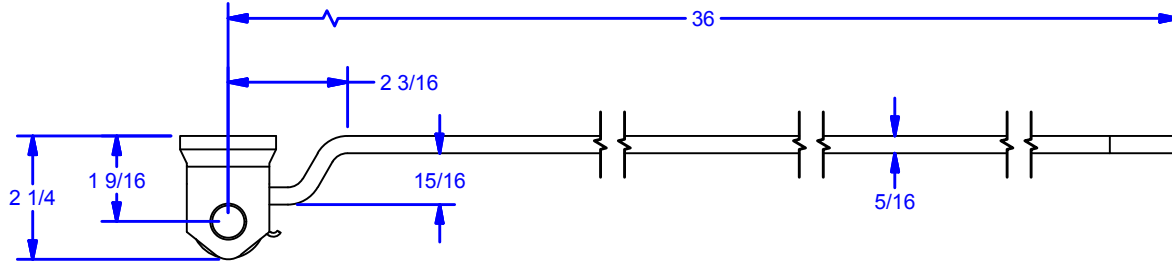
C

B

B

A

A



**ALL DIMENSIONS IN INCHES**

THE INFORMATION CONTAINED IN THIS DRAWING IS THE SOLE PROPERTY OF CROWN INDUSTRIAL. ANY REPRODUCTION IN PART OR AS A WHOLE WITHOUT THE WRITTEN PERMISSION OF CROWN INDUSTRIAL IS PROHIBITED.	ID #:	0002107-15	STOCK PART #:	9035-P273
	MATERIAL:		MILD STEEL	
DESCRIPTION:				
9035 Jamb Strap Hinge, Ball Bearing x 36" RH				
FINISH:			# PCS:	REV:
Powder Coat or HDG			1	



**CROWN INDUSTRIAL**  
 So. San Francisco, Ca  
 (650) 952-5150  
[www.crown-industrial.com](http://www.crown-industrial.com)

DWG #: 9035  
 DRAWN:BCM 11/13/2008  
 SHEET #8  
 File: 0001650.idw

4

3

2

1

