

4

3

2

1

D

D

C

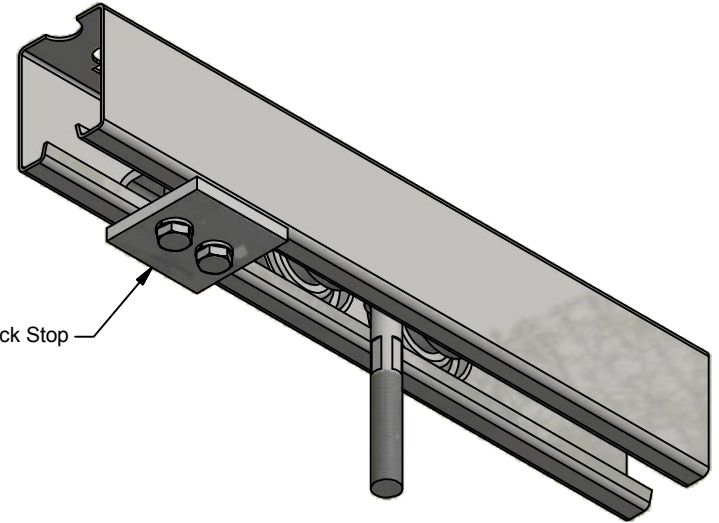
C

B

B

A

A

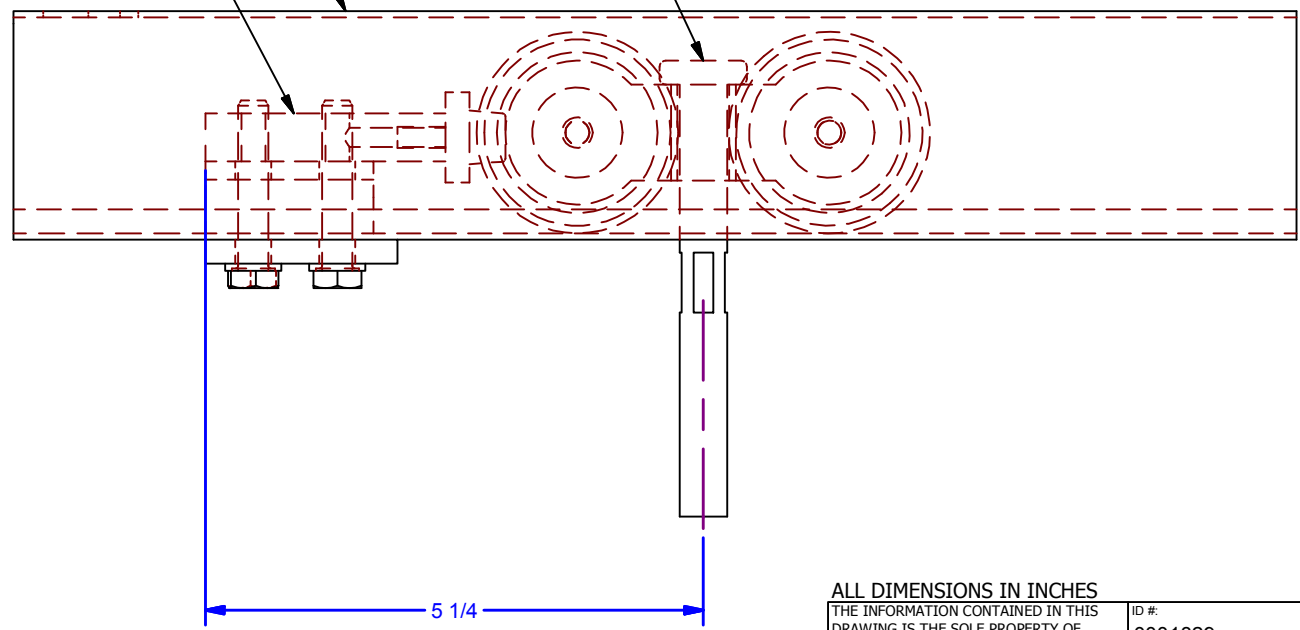


#4.00CSTR Concealed Track Stop

#4 Truck or Hanger Assembly

#4 Track

#4.00CSTR Concealed Track Stop



5 1/4

ALL DIMENSIONS IN INCHES

THE INFORMATION CONTAINED IN THIS DRAWING IS THE SOLE PROPERTY OF CROWN INDUSTRIAL. ANY REPRODUCTION IN PART OR AS A WHOLE WITHOUT THE WRITTEN PERMISSION OF CROWN INDUSTRIAL IS PROHIBITED.	ID #:	0001829	STOCK PART #:	4.00CSTR
	MATERIAL:			
DESCRIPTION: Concealed Track Stop Layout				
FINISH:			# PCS:	REV:



CROWN INDUSTRIAL
So. San Francisco, Ca
(650) 952-5150
www.crown-industrial.com

DWG #: 0001828
DRAWN: BCM 2/4/2015
SHEET #1
File: 0001828.idw

4

3

2

1



4

3

2

1

D

D

C

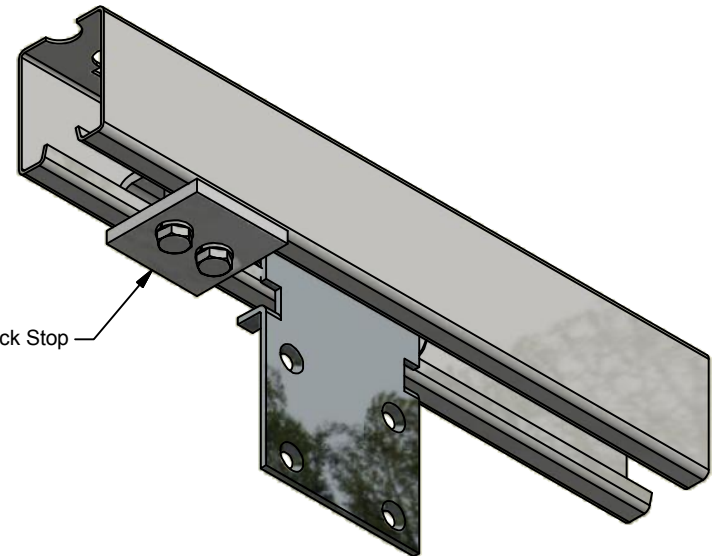
C

B

B

A

A

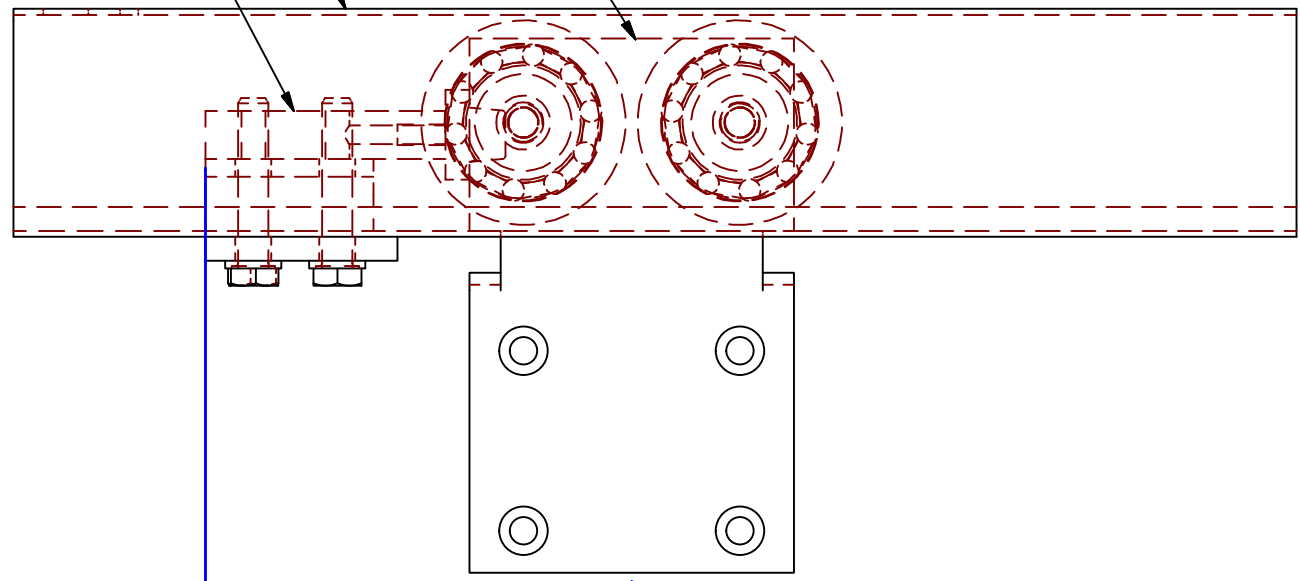


#4.00CSTR Concealed Track Stop

#4Z-F Flat Plate Hanger

#4 Track

#4.00CSTR Concealed Track Stop



4 1/2

ALL DIMENSIONS IN INCHES

THE INFORMATION CONTAINED IN THIS DRAWING IS THE SOLE PROPERTY OF CROWN INDUSTRIAL. ANY REPRODUCTION IN PART OR AS A WHOLE WITHOUT THE WRITTEN PERMISSION OF CROWN INDUSTRIAL IS PROHIBITED.

DESCRIPTION:
Concealed Track Stop Layout

FINISH:

ID #:
0001829

MATERIAL:

STOCK PART #:
4.00CSTR

PCS: | REV:

DWG #: 0001828
DRAWN: BCM 2/4/2015
SHEET #2
File: 0001828.idw



CROWN INDUSTRIAL
So. San Francisco, Ca
(650) 952-5150
www.crown-industrial.com

4

3

2

1



4

3

2

1

D

D

C

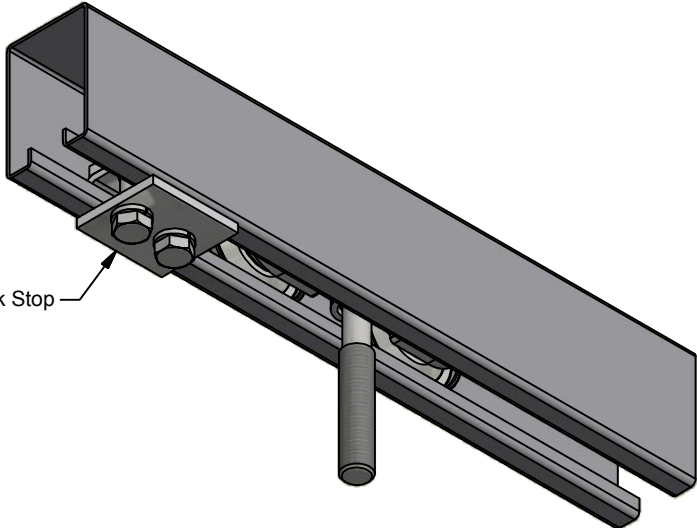
C

B

B

A

A

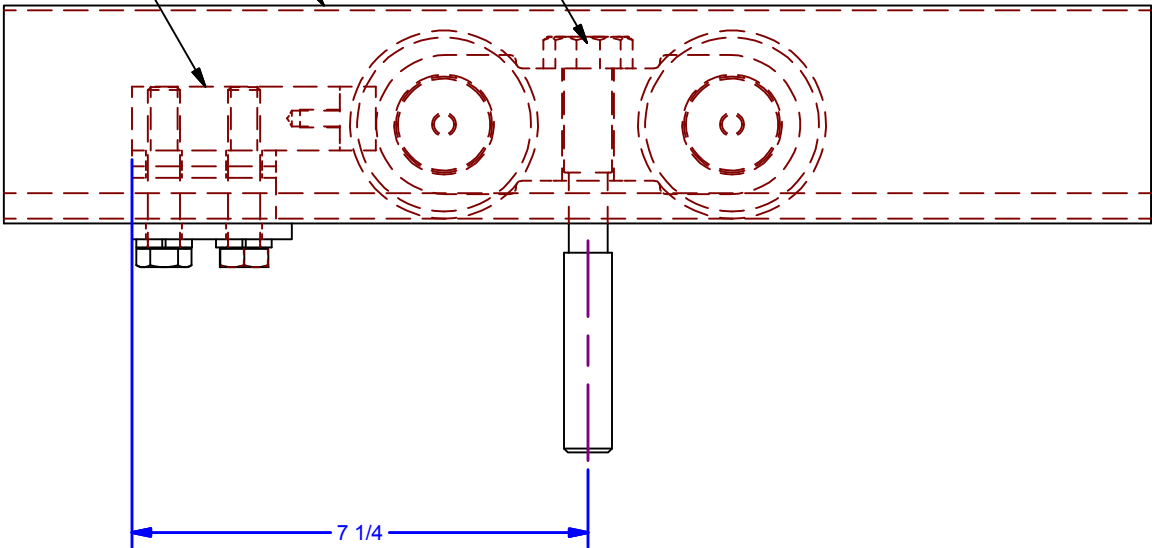


#6.00CSTR Concealed Track Stop

#6 Truck or Hanger Assembly

#6 Track

#6.00CSTR Concealed Track Stop



DWG #: 0001828
 DRAWN:BCM 2/4/2015
 SHEET #3
 File: 0001828.idw

ALL DIMENSIONS IN INCHES

THE INFORMATION CONTAINED IN THIS DRAWING IS THE SOLE PROPERTY OF CROWN INDUSTRIAL. ANY REPRODUCTION IN PART OR AS A WHOLE WITHOUT THE WRITTEN PERMISSION OF CROWN INDUSTRIAL IS PROHIBITED.	ID #:	0001827	STOCK PART #:	6.00CSTR
	MATERIAL:			
DESCRIPTION: Concealed Track Stop Layout				
FINISH:			# PCS:	1
			REV:	



CROWN INDUSTRIAL
 So. San Francisco, Ca
 (650) 952-5150
 www.crown-industrial.com

4

3

2

1

4

3

2

1

D

D

C

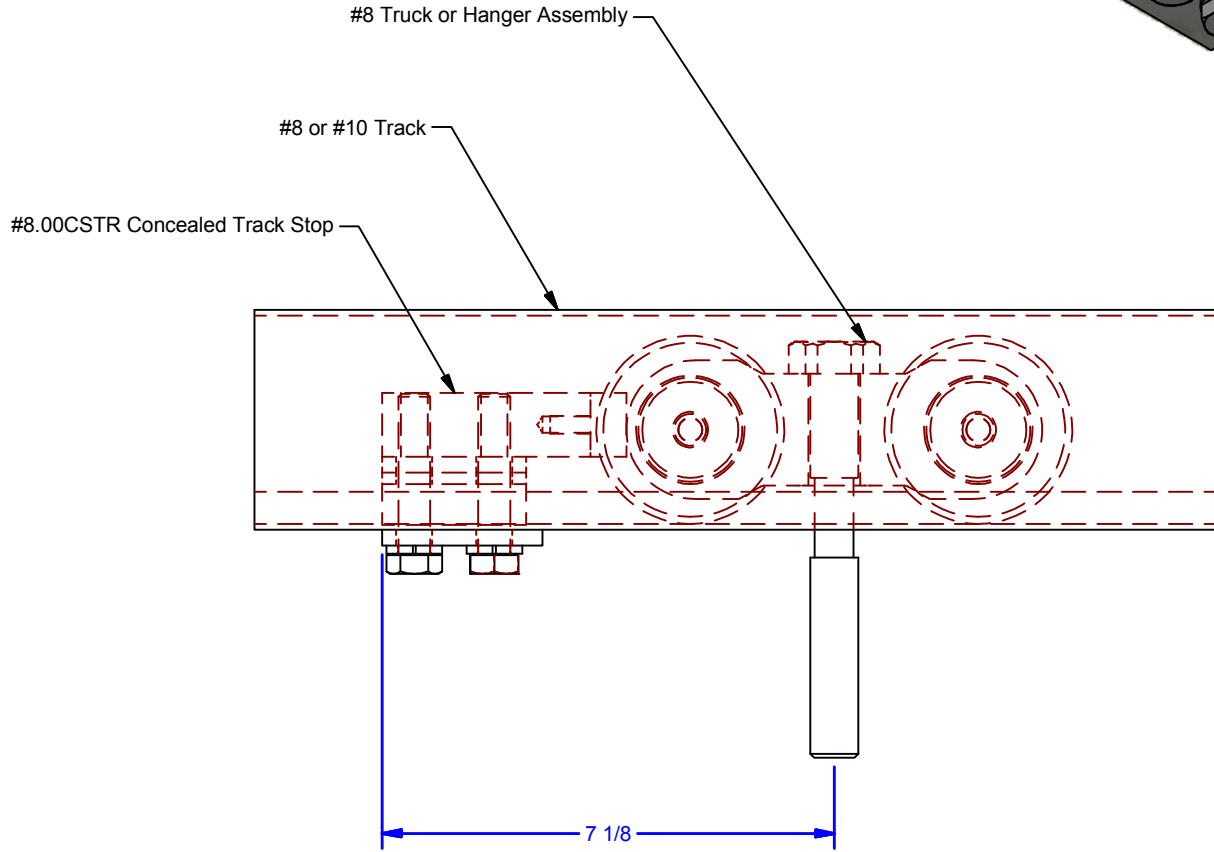
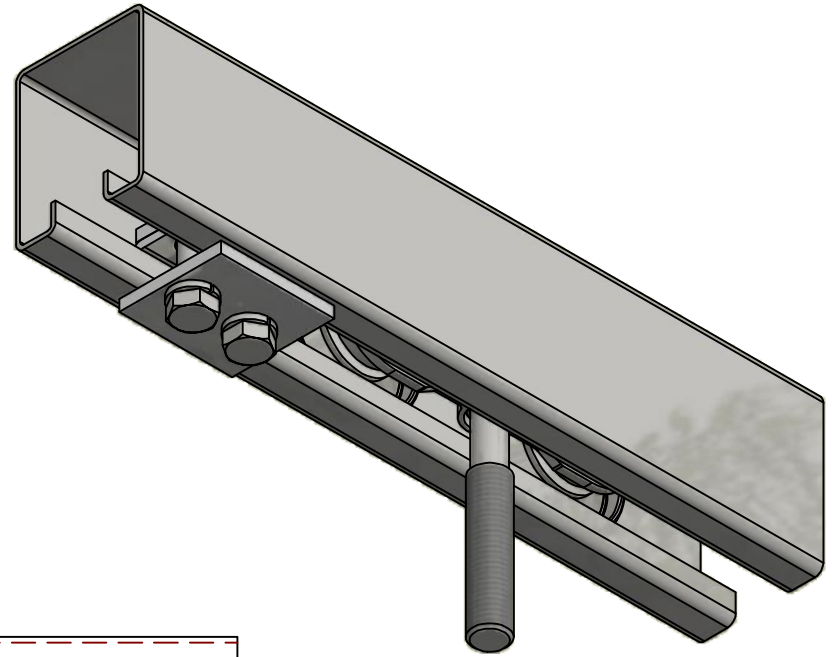
C

B

B

A

A



ALL DIMENSIONS IN INCHES

THE INFORMATION CONTAINED IN THIS DRAWING IS THE SOLE PROPERTY OF CROWN INDUSTRIAL. ANY REPRODUCTION IN PART OR AS A WHOLE WITHOUT THE WRITTEN PERMISSION OF CROWN INDUSTRIAL IS PROHIBITED.

ID #: 0001831

STOCK PART #: 8.00CSTR

MATERIAL:

DESCRIPTION:

Concealed Track Stop Layout

FINISH:

PCS: 1

REV:

DWG #: 0001828
DRAWN:BCM 2/4/2015
SHEET #4

File: 0001828.idw



CROWN INDUSTRIAL

So. San Francisco, Ca
(650) 952-5150

www.crown-industrial.com

4

3

2

1



4

3

2

1

D

D

C

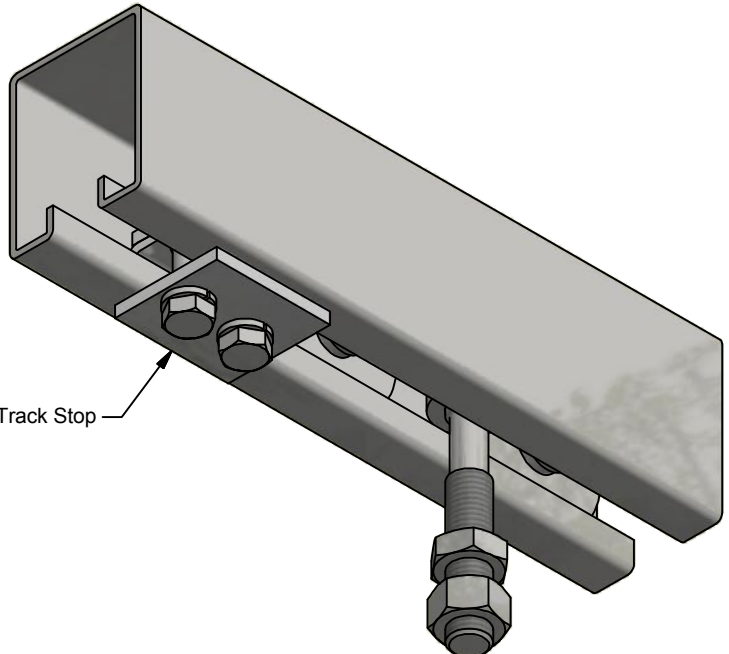
C

B

B

A

A

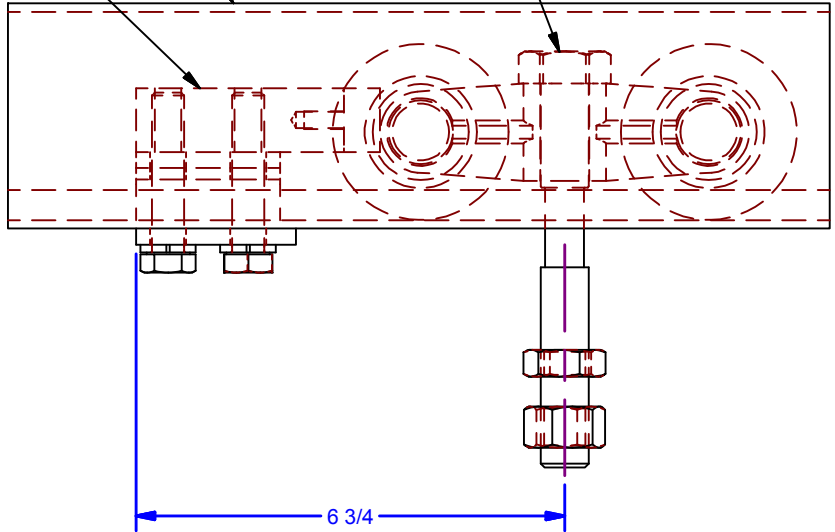


#10.00CSTR Concealed Track Stop

#10 Truck or Hanger Assembly

#10 Track

#10.00CSTR Concealed Track Stop



6 3/4

ALL DIMENSIONS IN INCHES

THE INFORMATION CONTAINED IN THIS DRAWING IS THE SOLE PROPERTY OF CROWN INDUSTRIAL. ANY REPRODUCTION IN PART OR AS A WHOLE WITHOUT THE WRITTEN PERMISSION OF CROWN INDUSTRIAL IS PROHIBITED.	ID #:	0001902	STOCK PART #:	10.00CSTR
	MATERIAL:			
DESCRIPTION: Concealed Track Stop Layout				
FINISH:			# PCS:	1
			REV:	



CROWN INDUSTRIAL
 So. San Francisco, Ca
 (650) 952-5150
 www.crown-industrial.com

DWG #: 0001828
 DRAWN: BCM 2/20/2015
 SHEET #5
 File: 0001828.idw

4

3

2

1

4

3

2

1

D

D

C

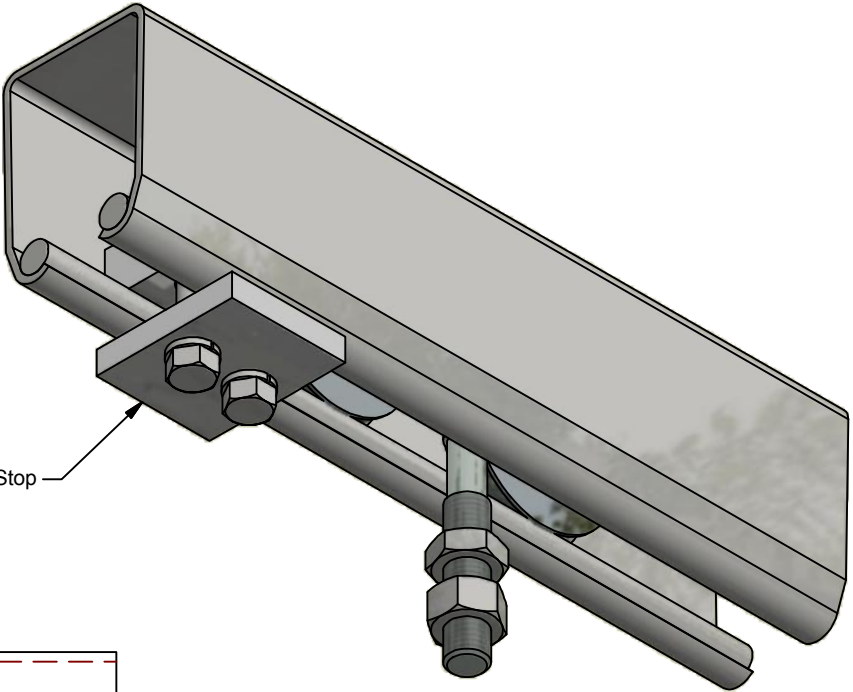
C

B

B

A

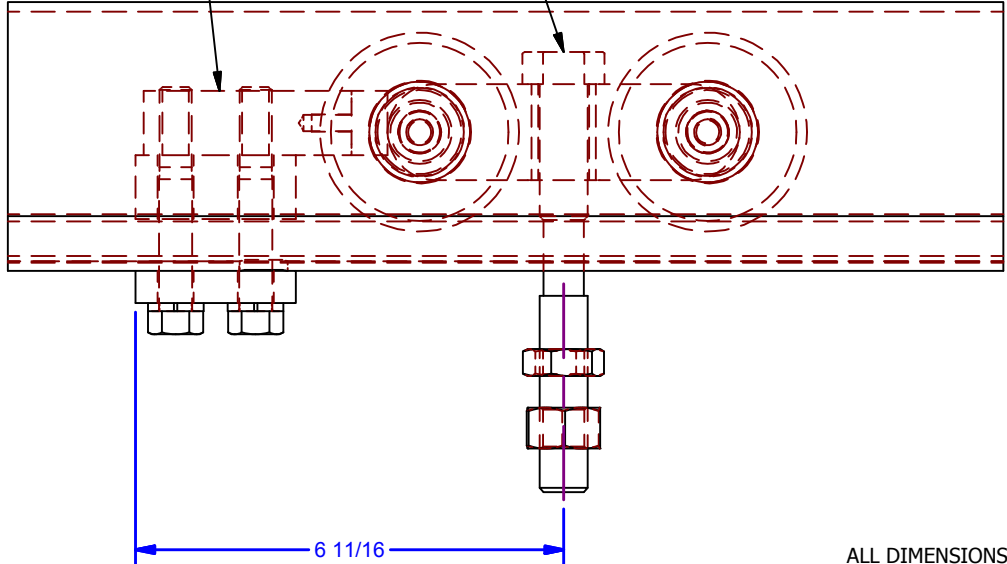
A



#25 BLE Truck or Hanger Assembly

#25.00CSTR Concealed Track Stop

#25.00CSTR Concealed Track Stop



6 11/16

ALL DIMENSIONS IN INCHES

THE INFORMATION CONTAINED IN THIS DRAWING IS THE SOLE PROPERTY OF CROWN INDUSTRIAL. ANY REPRODUCTION IN PART OR AS A WHOLE WITHOUT THE WRITTEN PERMISSION OF CROWN INDUSTRIAL IS PROHIBITED.	ID #:	0001903-1	STOCK PART #:	25.00CSTR
	MATERIAL:			
DESCRIPTION: Concealed Track Stop Layout for 25 BLE				
FINISH:		# PCS:	1	REV:



CROWN INDUSTRIAL

So. San Francisco, Ca
(650) 952-5150

www.crown-industrial.com

DWG #: 0001828
DRAWN:BCM 2/20/2015
SHEET #6
File: 0001828.idw

4

3

2

1

A

4

3

2

1

D

D

C

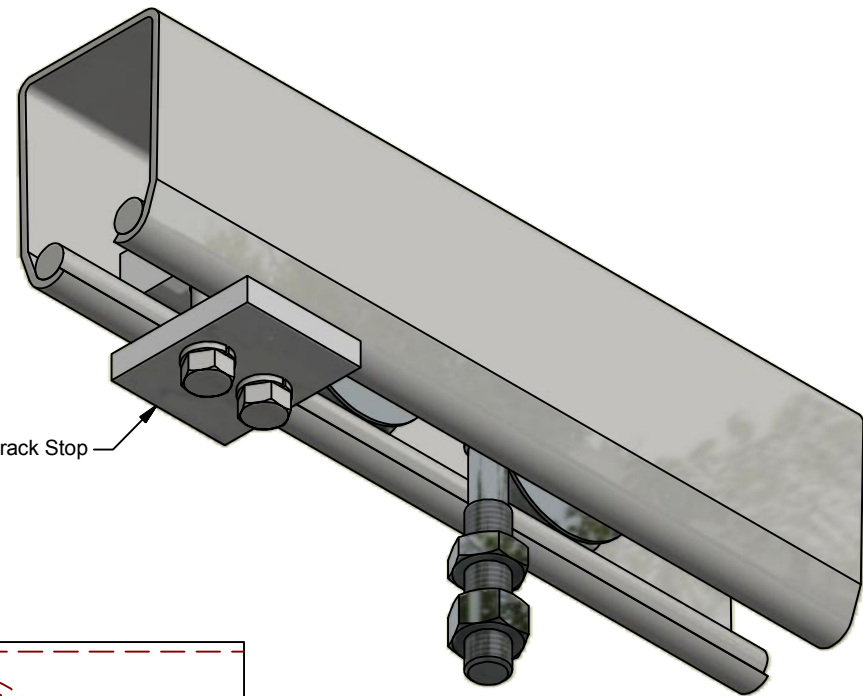
C

B

B

A

A

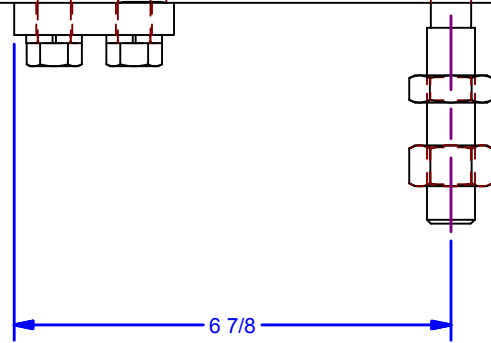
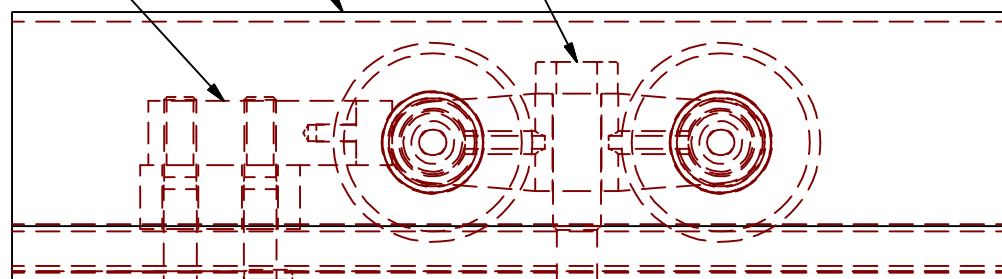


#25.00CSTR Concealed Track Stop

#25 BLE Truck or Hanger Assembly

#25 Track

#25.00CSTR Concealed Track Stop



DWG #: 0001828
 DRAWN: BCM 2/20/2015
 SHEET #7
 File: 0001828.idw

ALL DIMENSIONS IN INCHES

THE INFORMATION CONTAINED IN THIS DRAWING IS THE SOLE PROPERTY OF CROWN INDUSTRIAL. ANY REPRODUCTION IN PART OR AS A WHOLE WITHOUT THE WRITTEN PERMISSION OF CROWN INDUSTRIAL IS PROHIBITED.	ID #:	0001903	STOCK PART #:	25.00CSTR
	MATERIAL:			
DESCRIPTION: Concealed Track Stop Layout for 25 BLE				
FINISH:		# PCS:	1	REV:



CROWN INDUSTRIAL
 So. San Francisco, Ca
 (650) 952-5150
 www.crown-industrial.com

4

3

2

1

4

3

2

1

D

D

C

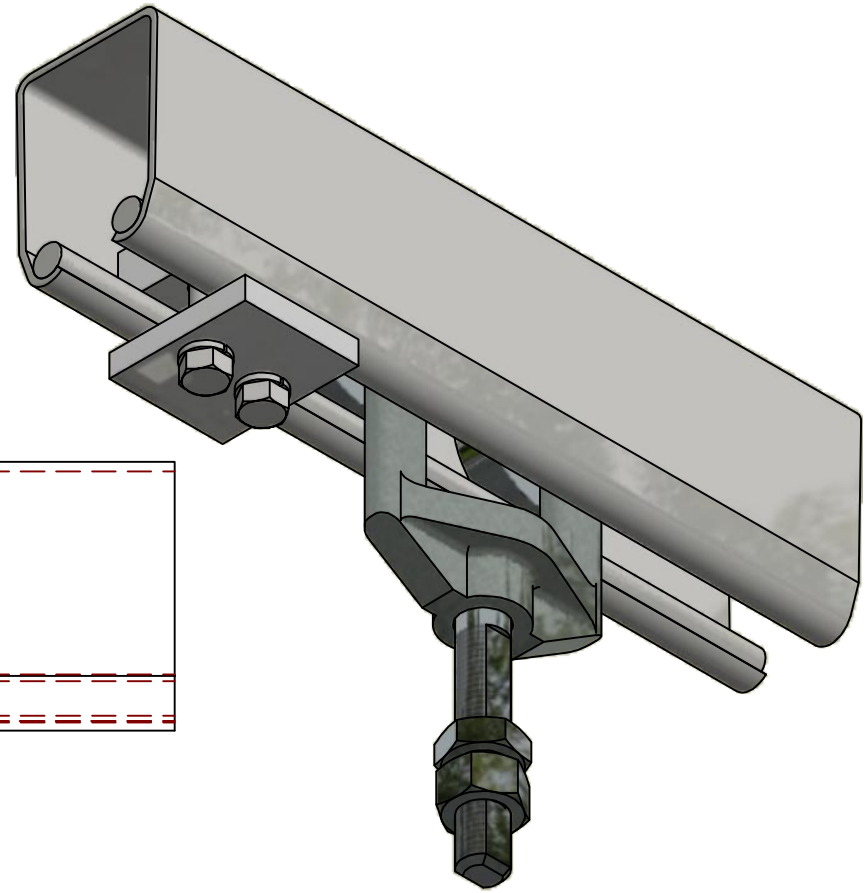
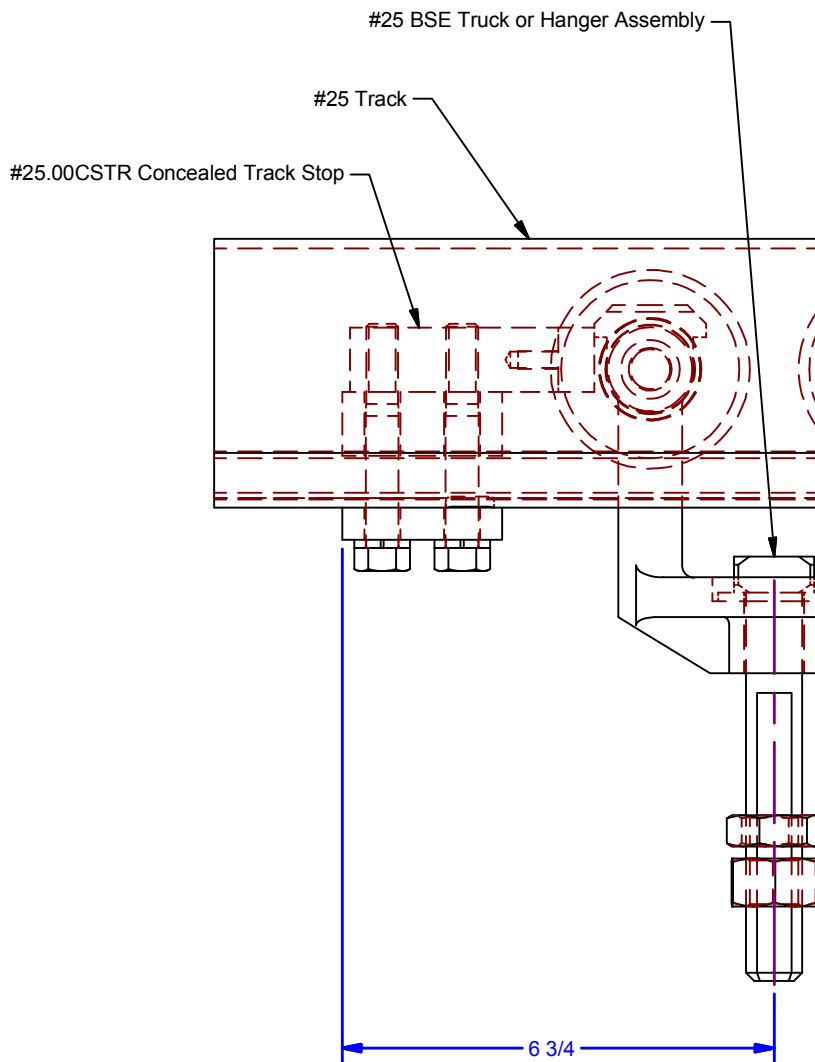
C

B

B

A

A



ALL DIMENSIONS IN INCHES

THE INFORMATION CONTAINED IN THIS DRAWING IS THE SOLE PROPERTY OF CROWN INDUSTRIAL. ANY REPRODUCTION IN PART OR AS A WHOLE WITHOUT THE WRITTEN PERMISSION OF CROWN INDUSTRIAL IS PROHIBITED.	ID #:	0001904	STOCK PART #:	25.00CSTR
	MATERIAL:			
DESCRIPTION: Concealed Track Stop Layout for 25 BSE				
FINISH:		# PCS:	1	REV:



CROWN INDUSTRIAL
 So. San Francisco, Ca
 (650) 952-5150
www.crown-industrial.com

DWG #: 0001828
 DRAWN:BCM 2/20/2015
 SHEET #8
 File: 0001828.idw

4

3

2

1

