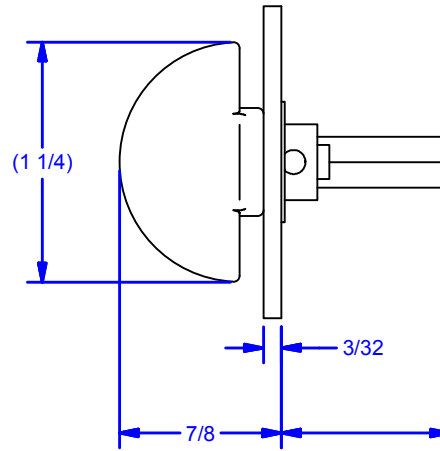
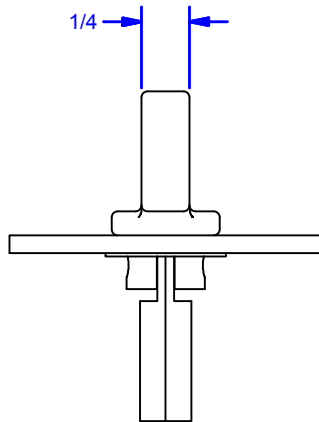
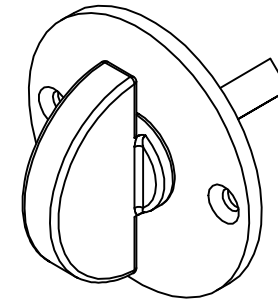


2X #4 Flat Head Machine Screw (82)  
(INCLUDED)



Tail Piece  
(INDICATE DOOR THICKNESS  
WHEN ORDERING)



DRAWING SHOULD NOT BE USED AS TEMPLATE.  
TO BE USED WITH 2000, 2001, & 2002 SERIES LOCKS

ALL DIMENSIONS IN INCHES

THE INFORMATION CONTAINED IN THIS DRAWING IS THE SOLE PROPERTY OF CROWN INDUSTRIAL. ANY REPRODUCTION IN PART OR AS A WHOLE WITHOUT THE WRITTEN PERMISSION OF CROWN INDUSTRIAL IS PROHIBITED.	ID #:	0000572	STOCK PART #:	GF1106	
	MATERIAL:				
DESCRIPTION:					
2001 Face Mounted Thumb Turn Assy					
FINISH:				# PCS:	REV:
Specify					



**CROWN  
INDUSTRIAL**

So. San Francisco, Ca  
(650) 952-5150

www.crown-industrial.com

DWG #: 2001  
DRAWN:BCM 10/24/2007  
SHEET #3

File: 0000417.idw