

4

3

2

1

D

D

C

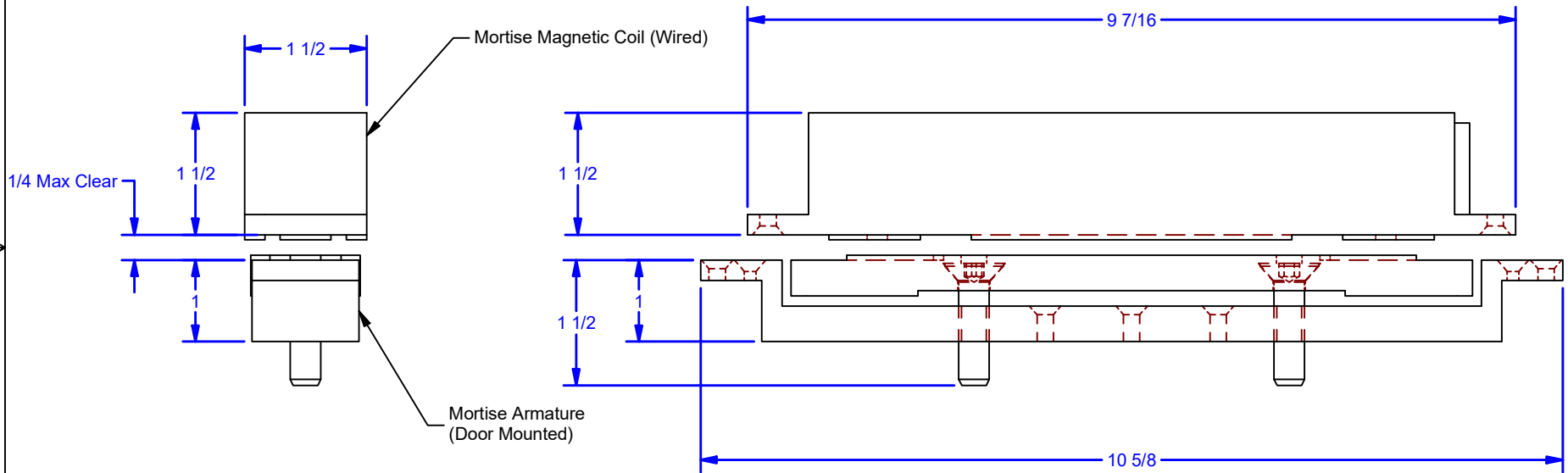
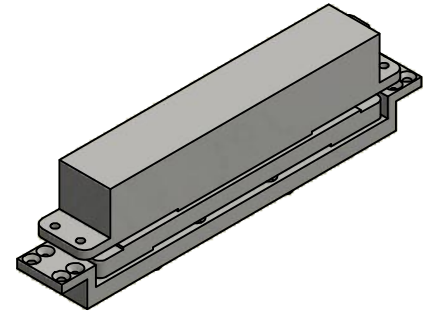
C

B

B

A

A



ALL DIMENSIONS IN INCHES

THE INFORMATION CONTAINED IN THIS DRAWING IS THE SOLE PROPERTY OF CROWN INDUSTRIAL. ANY REPRODUCTION IN PART OR AS A WHOLE WITHOUT THE WRITTEN PERMISSION OF CROWN INDUSTRIAL IS PROHIBITED.	ID #:	405P1032	STOCK PART #:	ML-M
	MATERIAL:			
DESCRIPTION: Mortise Magnetic Lock w. DSM/MBS (3,000 lb Shear Force)				
FINISH:		# PCS:	REV:	



CROWN INDUSTRIAL

So. San Francisco, Ca
(650) 952-5150

www.crown-industrial.com

DWG #: 405P844
DRAWN:BCM 9/16/2019
SHEET #2

File: 405P884.idw

4

3

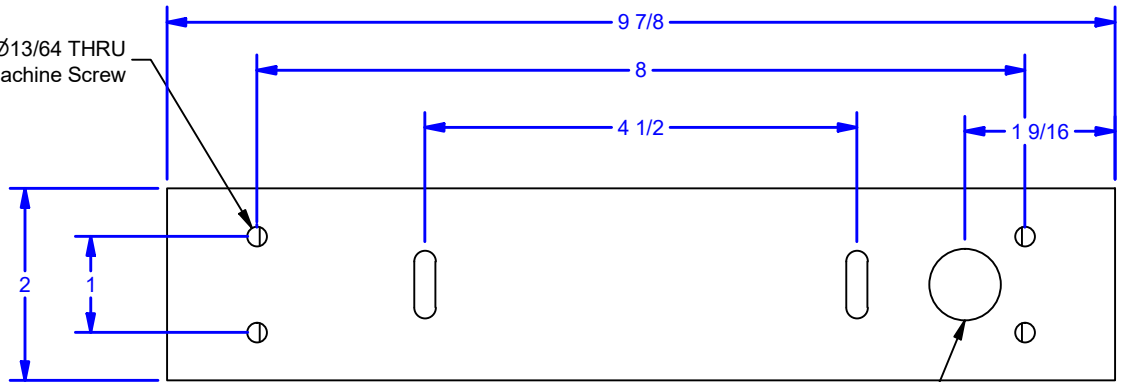
2

1



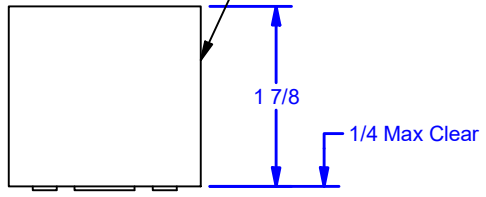


4X Ø13/64 THRU
For #10 Oval Head Machine Screw



Harness Access Hole

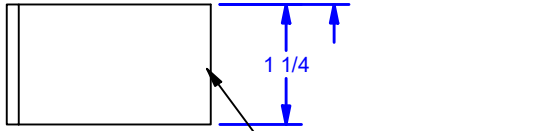
Surface Mounted
Magnetic Coil (Wire)



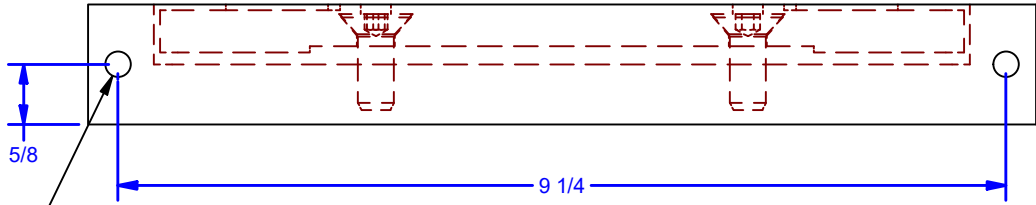
1/4 Max Clear



1/8 Armature Surface
Mounted Spacer Plate



Surface Mounted
Armature (Door Mounted)



2X Ø17/64 THRU
For 1/4 Oval Head Machine Screw

ALL DIMENSIONS IN INCHES

THE INFORMATION CONTAINED IN THIS DRAWING IS THE SOLE PROPERTY OF CROWN INDUSTRIAL. ANY REPRODUCTION IN PART OR AS A WHOLE WITHOUT THE WRITTEN PERMISSION OF CROWN INDUSTRIAL IS PROHIBITED.

ID #: 405P1037

STOCK PART #: ML-S

MATERIAL:

DESCRIPTION:
Surface Mounted Magnetic Lock w. DSM/MBS (3,000 lb Shear Force)

FINISH: # PCS: REV:



CROWN INDUSTRIAL
So. San Francisco, Ca
(650) 952-5150
www.crown-industrial.com

DWG #: 405P844
DRAWN:BCM 9/16/2019
SHEET #3
File: 405P884.idw