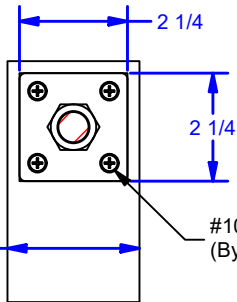
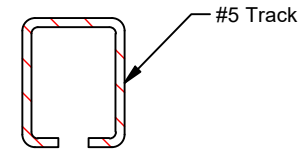


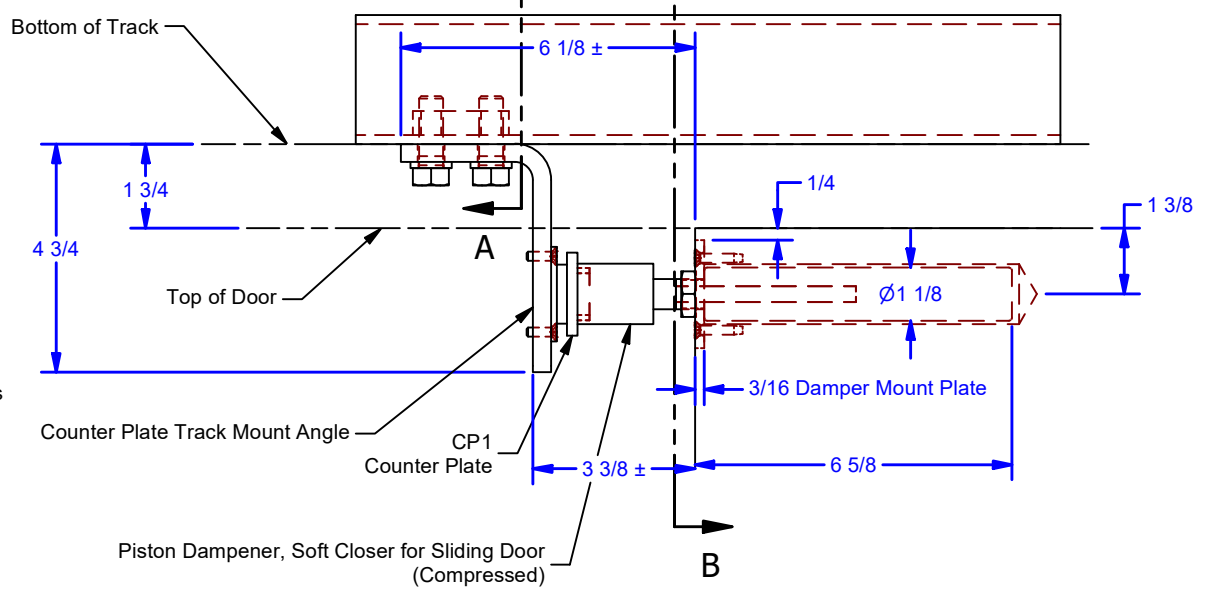
SECTION A-A
SCALE 1/4



2 3/4 Min.
Thick Door for Mortised
Damper Mount Plate

#10 Flat Head Fasteners
(By Others)

SECTION B-B
SCALE 1/4



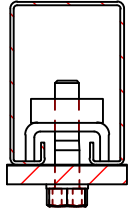
- Does not Include:
- #PD Piston Damper for Sliding Door Soft Closer
 - #CP Counter Plate
 - #10 Flat Head Fasteners to Attach Damper Mount Plate to Door

DWG #: 0002149
DRAWN:BCM 11/30/2021
SHEET #12
File: 0002149.idw

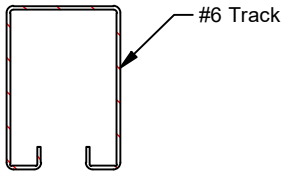
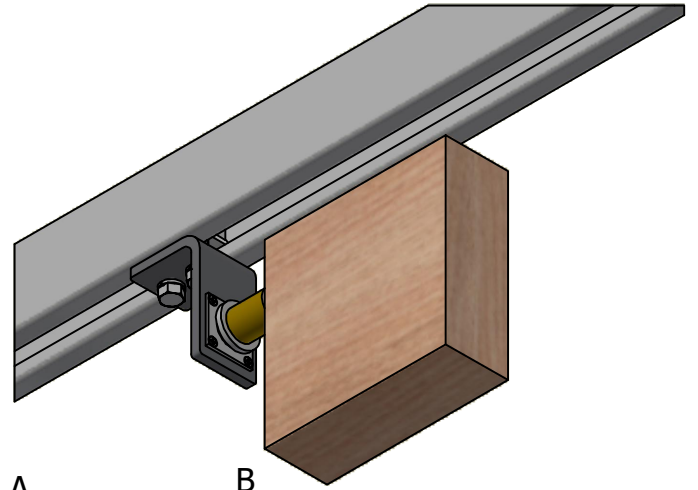
ALL DIMENSIONS IN INCHES		ID #:	STOCK PART #:
THE INFORMATION CONTAINED IN THIS DRAWING IS THE SOLE PROPERTY OF CROWN INDUSTRIAL. ANY REPRODUCTION IN PART OR AS A WHOLE WITHOUT THE WRITTEN PERMISSION OF CROWN INDUSTRIAL IS PROHIBITED.		0003138-01	PDM-5
DESCRIPTION:		MATERIAL:	
Piston Damper Mount for #5 Track			
FINISH:		# PCS:	REV:



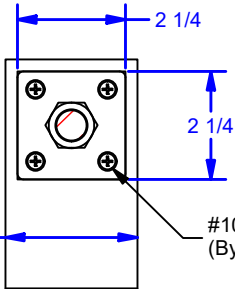
CROWN INDUSTRIAL
So. San Francisco, Ca
(650) 952-5150
www.crown-industrial.com



SECTION A-A
SCALE 1/4



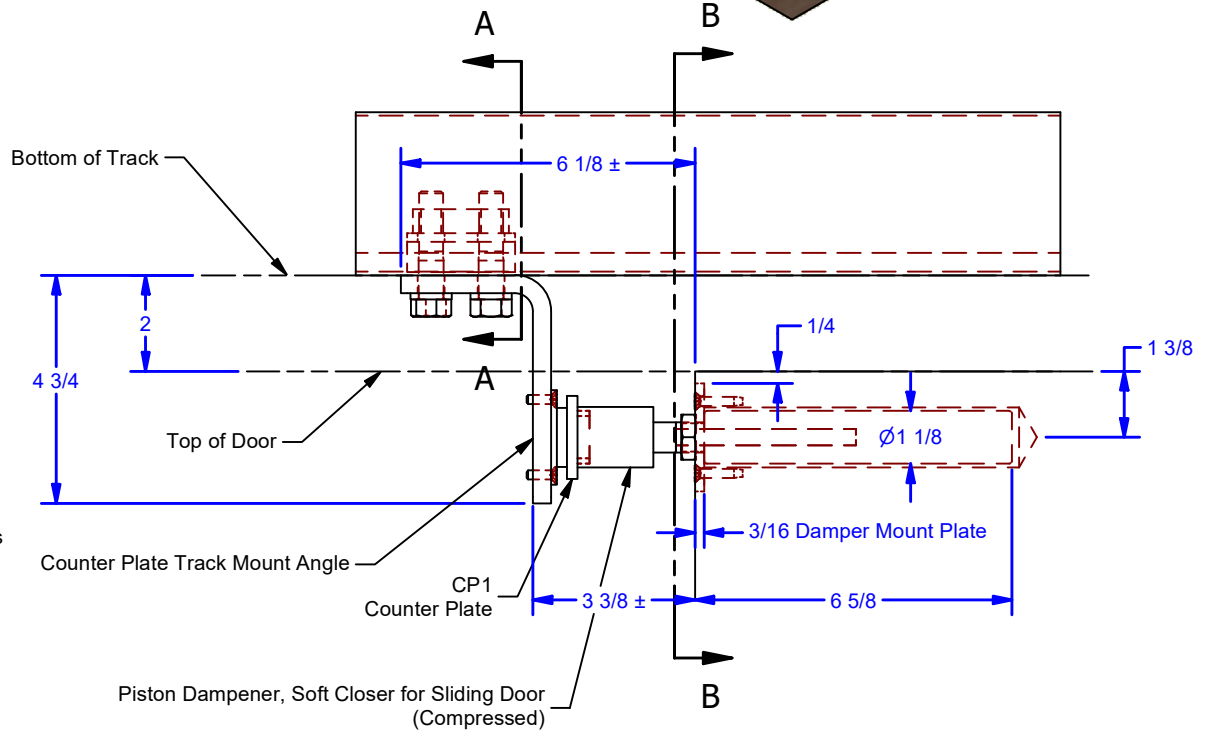
#6 Track



2 3/4 Min.
Thick Door for Mortised
Damper Mount Plate

#10 Flat Head Fasteners
(By Others)

SECTION B-B
SCALE 1/4



Does not Include:

- #PD Piston Damper for Sliding Door Soft Closer
- #CP Counter Plate
- #10 Flat Head Fasteners to Attach Damper Mount Plate to Door

DWG #: 0002149
DRAWN:BCM 11/30/2021
SHEET #13
File: 0002149.idw

ALL DIMENSIONS IN INCHES

THE INFORMATION CONTAINED IN THIS DRAWING IS THE SOLE PROPERTY OF CROWN INDUSTRIAL. ANY REPRODUCTION IN PART OR AS A WHOLE WITHOUT THE WRITTEN PERMISSION OF CROWN INDUSTRIAL IS PROHIBITED.

ID #:
0003138-08

STOCK PART #:
PDM

MATERIAL:

DESCRIPTION:

Piston Damper Mount for #6 Track

FINISH:

PCS: REV:

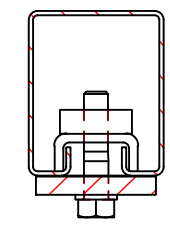


CROWN INDUSTRIAL

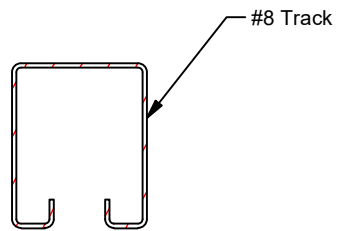
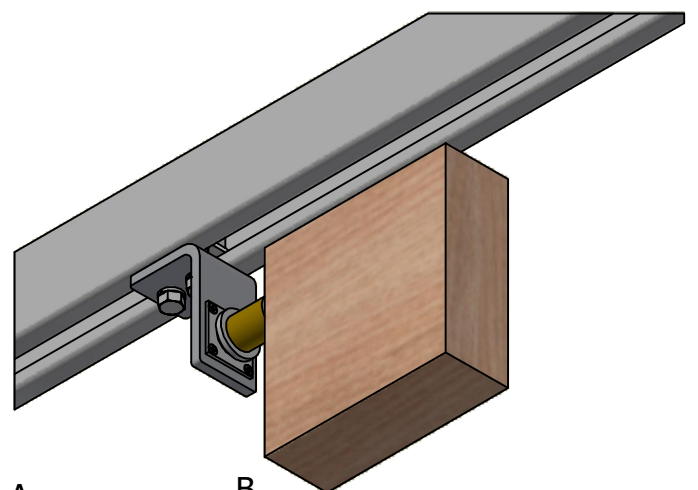
So. San Francisco, Ca
(650) 952-5150

www.crown-industrial.com

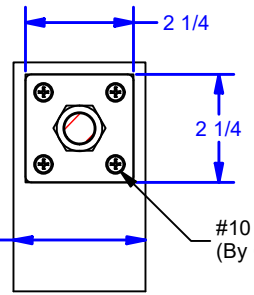
4 3 2 1



SECTION A-A
SCALE 1/4



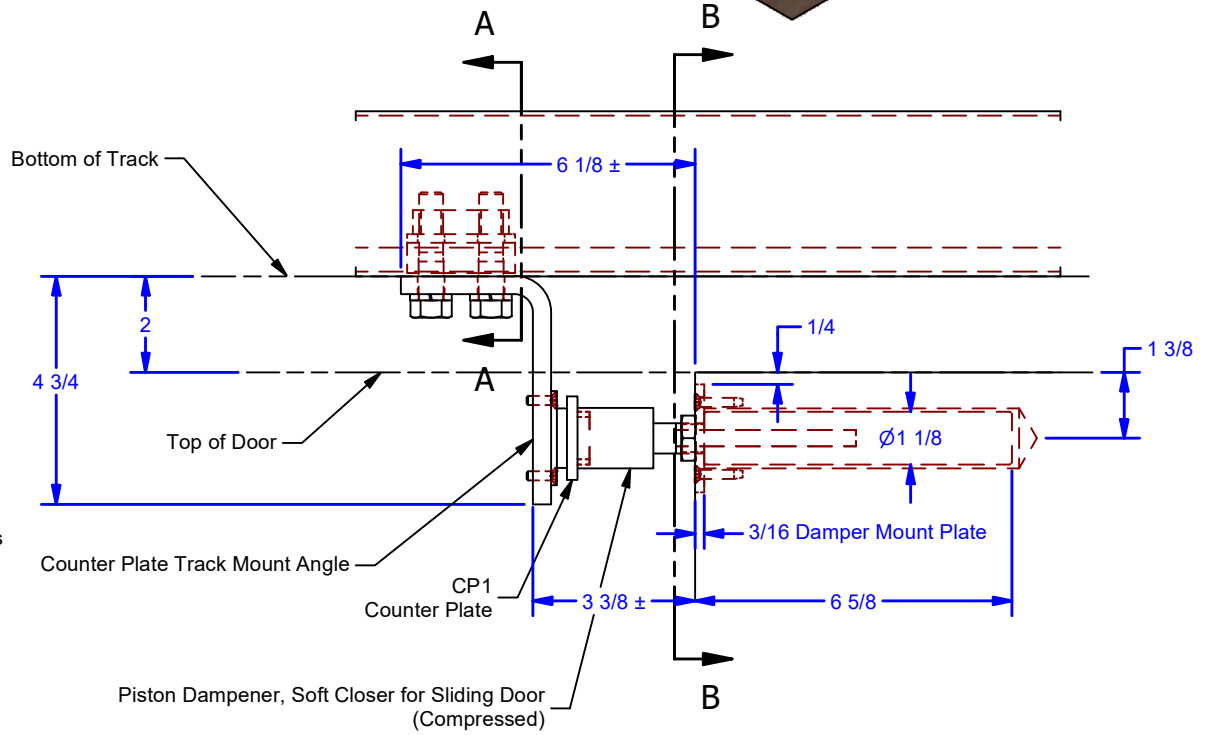
#8 Track



2 3/4 Min.
Thick Door for Mortised
Damper Mount Plate

#10 Flat Head Fasteners
(By Others)

SECTION B-B
SCALE 1/4



- Does not Include:
- #PD Piston Damper for Sliding Door Soft Closer
 - #CP Counter Plate
 - #10 Flat Head Fasteners to Attach Damper Mount Plate to Door

DWG #: 0002149
DRAWN:BCM 11/30/2021
SHEET #14
File: 0002149.idw

ALL DIMENSIONS IN INCHES

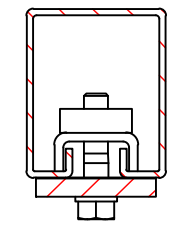
THE INFORMATION CONTAINED IN THIS DRAWING IS THE SOLE PROPERTY OF CROWN INDUSTRIAL. ANY REPRODUCTION IN PART OR AS A WHOLE WITHOUT THE WRITTEN PERMISSION OF CROWN INDUSTRIAL IS PROHIBITED.	ID #:	STOCK PART #:
	0003138-02	PDM
DESCRIPTION:		
Piston Damper Mount for #8 Track		
FINISH:	# PCS:	REV:



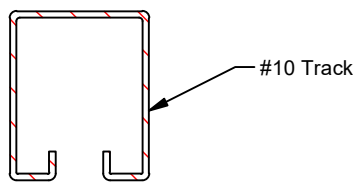
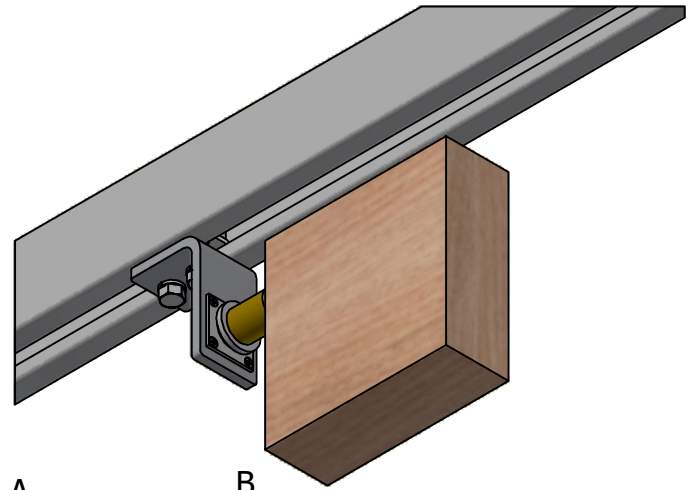
CROWN INDUSTRIAL
So. San Francisco, Ca
(650) 952-5150
www.crown-industrial.com

4 3 2 1

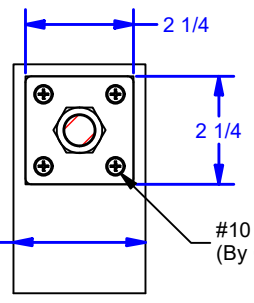
4 3 2 1



SECTION A-A
SCALE 1/4



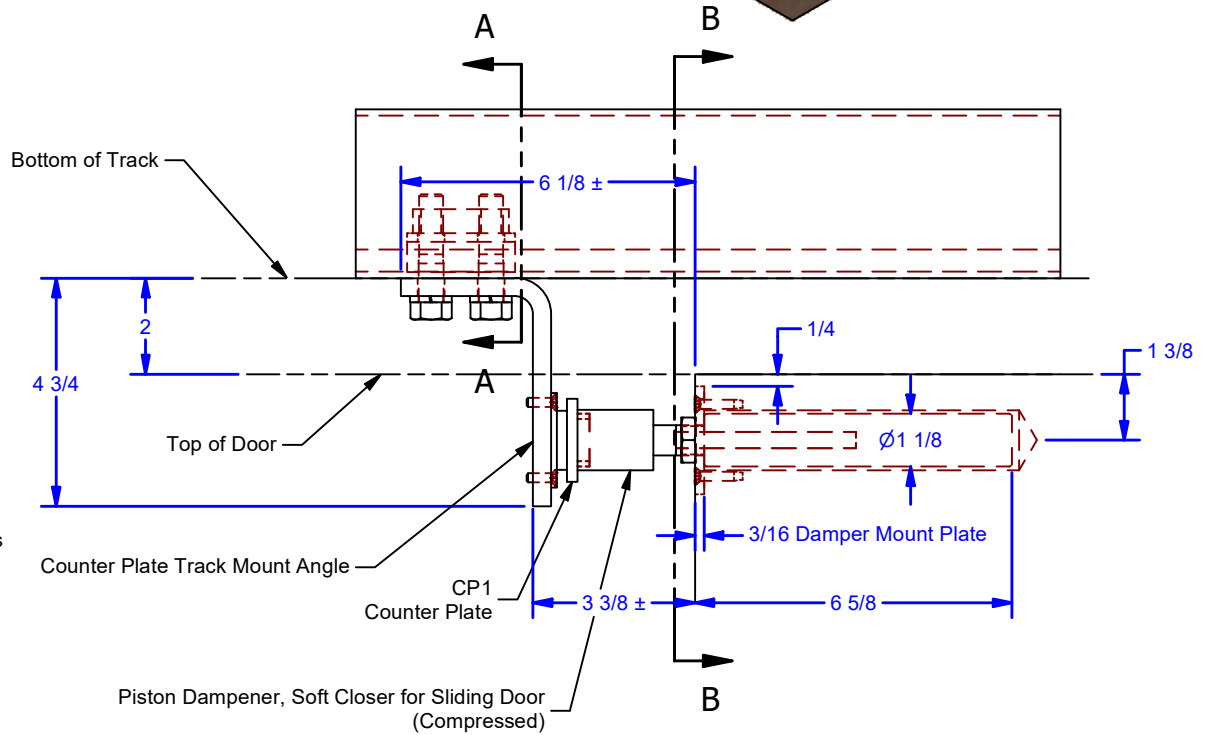
#10 Track



2 3/4 Min.
Thick Door for Mortised
Damper Mount Plate

#10 Flat Head Fasteners
(By Others)

SECTION B-B
SCALE 1/4



- Does not Include:
- #PD Piston Damper for Sliding Door Soft Closer
 - #CP Counter Plate
 - #10 Flat Head Fasteners to Attach Damper Mount Plate to Door

DWG #: 0002149
DRAWN:BCM 11/30/2021
SHEET #15
File: 0002149.idw

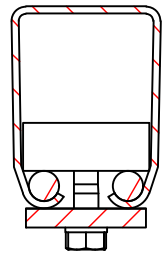
ALL DIMENSIONS IN INCHES

THE INFORMATION CONTAINED IN THIS DRAWING IS THE SOLE PROPERTY OF CROWN INDUSTRIAL. ANY REPRODUCTION IN PART OR AS A WHOLE WITHOUT THE WRITTEN PERMISSION OF CROWN INDUSTRIAL IS PROHIBITED.	ID #:	STOCK PART #:
	0003138-03	PDM
DESCRIPTION:	MATERIAL:	
Piston Dampener Mount for #10 Track		
FINISH:	# PCS:	REV:

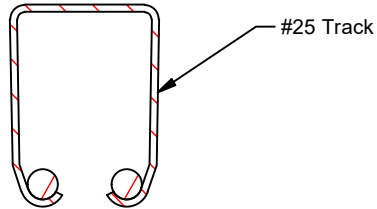
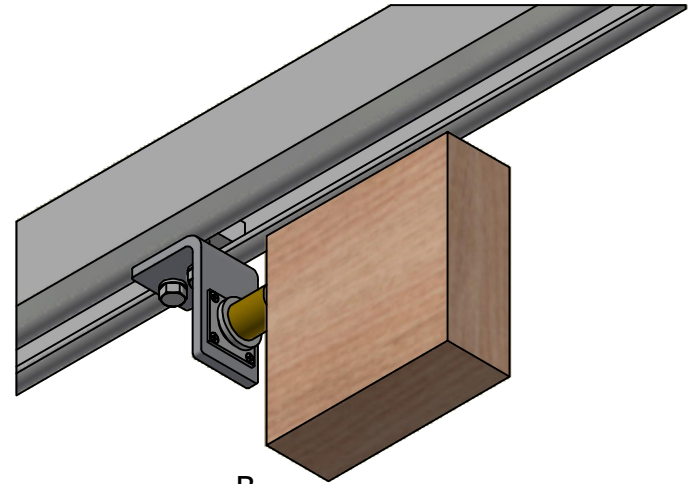


CROWN INDUSTRIAL
So. San Francisco, Ca
(650) 952-5150
www.crown-industrial.com

4 3 2 1

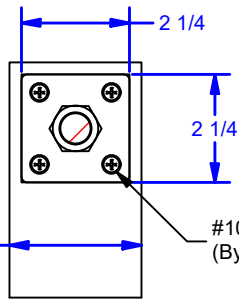


SECTION A-A
SCALE 1/4



#25 Track

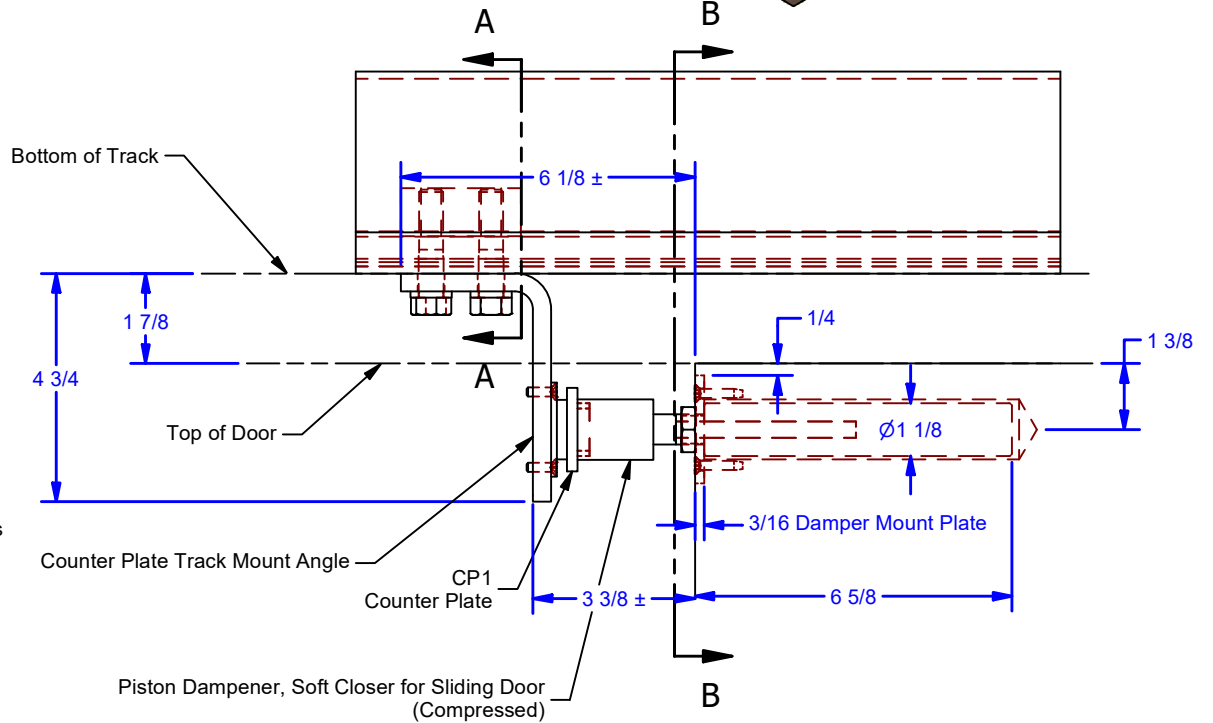
Bottom of Track



SECTION B-B
SCALE 1/4

2 3/4 Min.
Thick Door for Mortised
Damper Mount Plate

#10 Flat Head Fasteners
(By Others)



Does not Include:

- #PD Piston Damper for Sliding Door Soft Closer
- #CP Counter Plate
- #10 Flat Head Fasteners to Attach Damper Mount Plate to Door

DWG #: 0002149
DRAWN:BCM 11/30/2021
SHEET #16
File: 0002149.idw

ALL DIMENSIONS IN INCHES

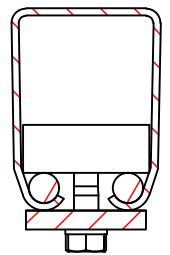
THE INFORMATION CONTAINED IN THIS DRAWING IS THE SOLE PROPERTY OF CROWN INDUSTRIAL. ANY REPRODUCTION IN PART OR AS A WHOLE WITHOUT THE WRITTEN PERMISSION OF CROWN INDUSTRIAL IS PROHIBITED.

ID #:	0003138-04	STOCK PART #:	PDM-25BLE
MATERIAL:			

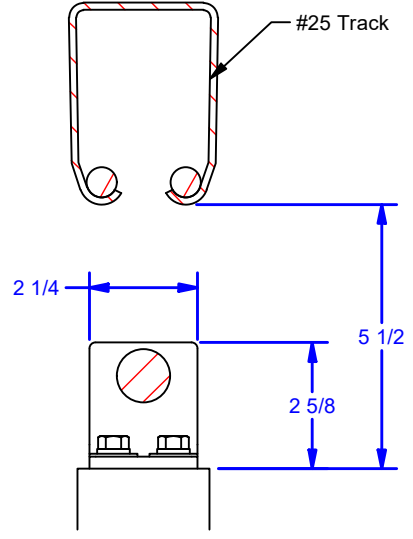
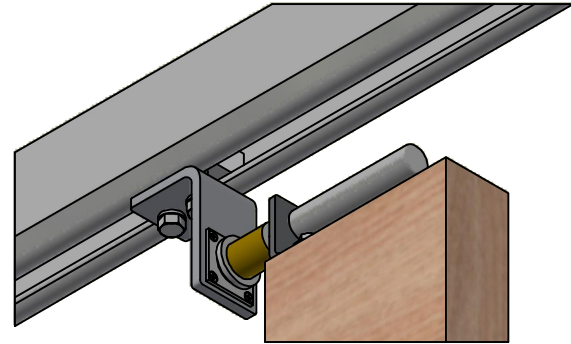
DESCRIPTION:		# PCS:	REV:
Piston Dampener Mount for #25 Track, Low Head			
FINISH:			



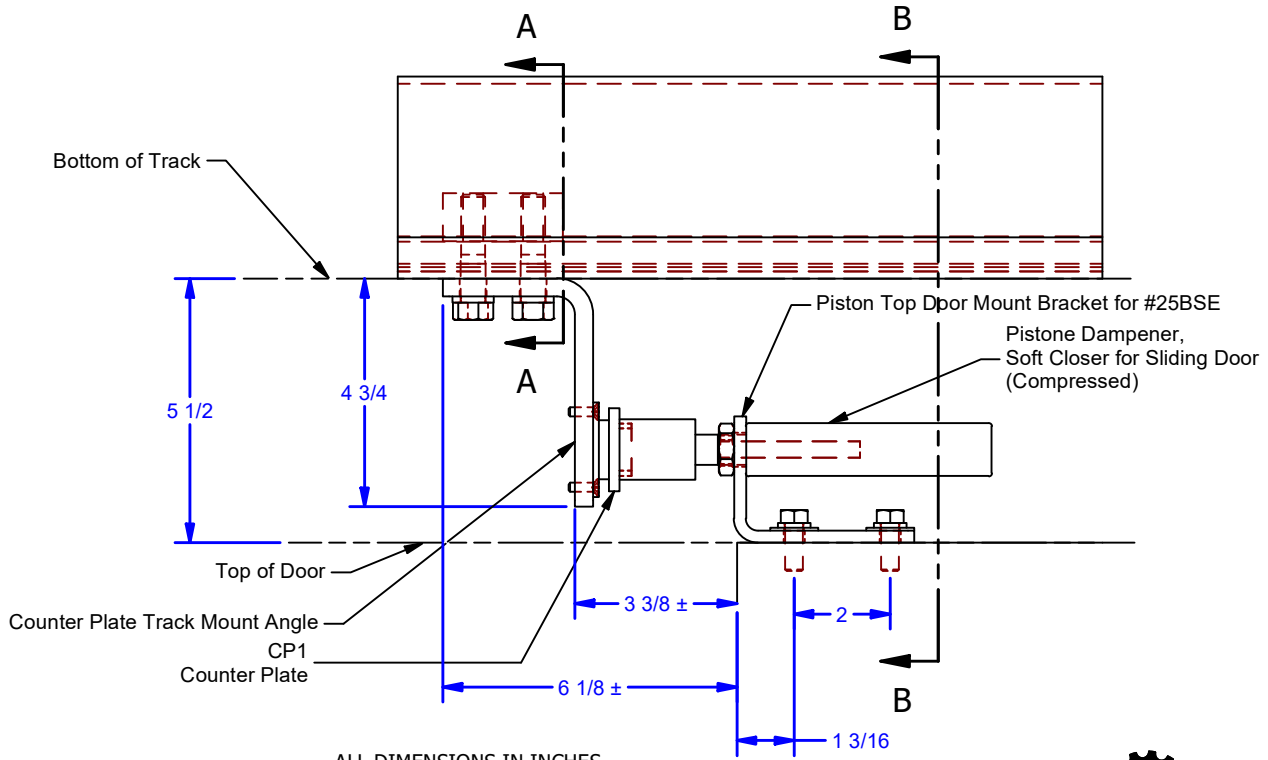
CROWN INDUSTRIAL
So. San Francisco, Ca
(650) 952-5150
www.crown-industrial.com



SECTION A-A
SCALE 1/4



SECTION B-B
SCALE 1/4



- Does not Include:
- #PD Piston Damper for Sliding Door Soft Closer
 - #CP Counter Plate
 - #10 Flat Head Fasteners to Attach Damper Mount Plate to Door

ALL DIMENSIONS IN INCHES

THE INFORMATION CONTAINED IN THIS DRAWING IS THE SOLE PROPERTY OF CROWN INDUSTRIAL. ANY REPRODUCTION IN PART OR AS A WHOLE WITHOUT THE WRITTEN PERMISSION OF CROWN INDUSTRIAL IS PROHIBITED.	ID #:	0003138-05	STOCK PART #:	PDM-25BSE
	MATERIAL:			
DESCRIPTION:				
Piston Dampener Mount for #25 Track, Standard Head				
FINISH:			# PCS:	REV:



CROWN INDUSTRIAL
So. San Francisco, Ca
(650) 952-5150
www.crown-industrial.com