

4

3

2

1

D

D

C

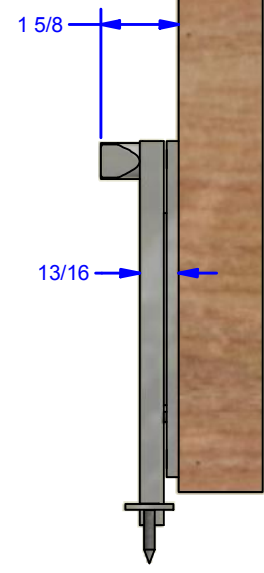
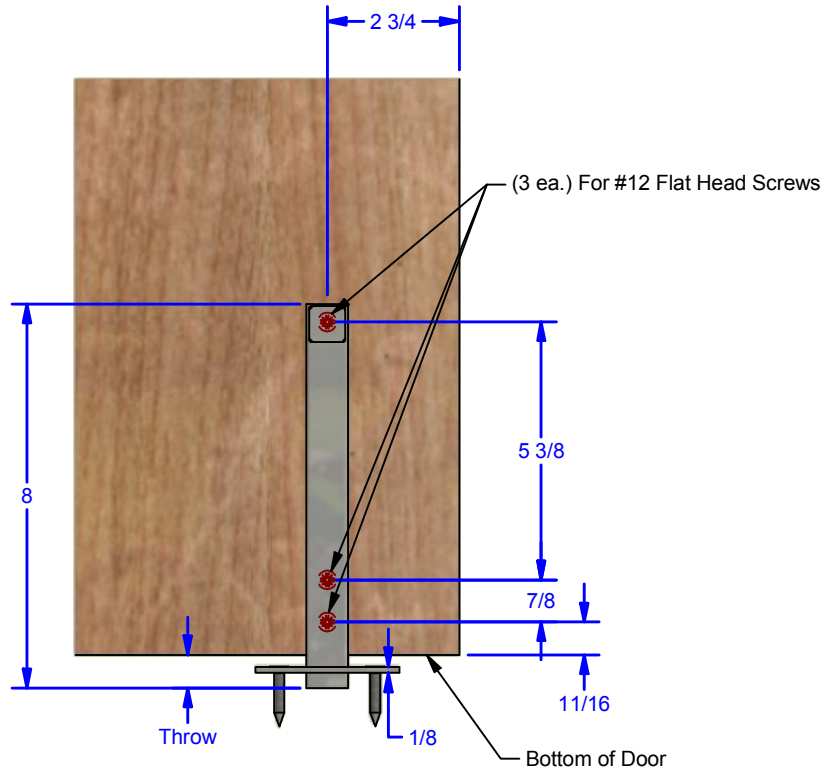
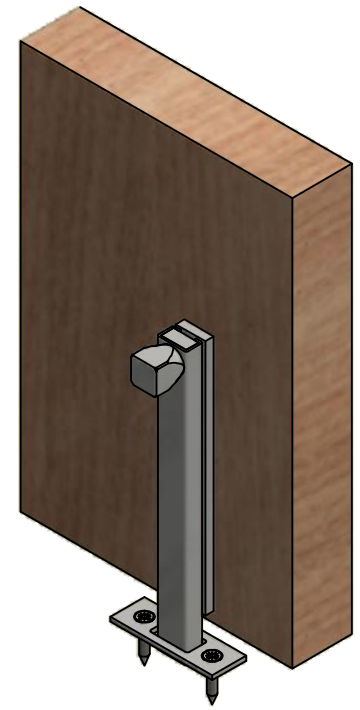
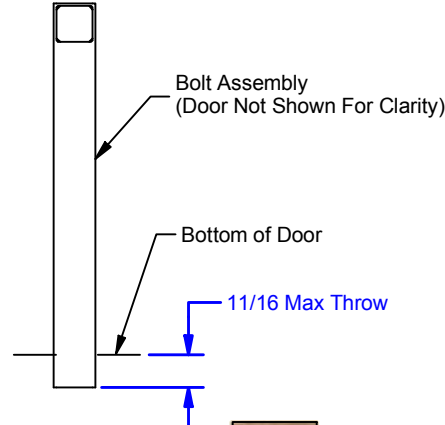
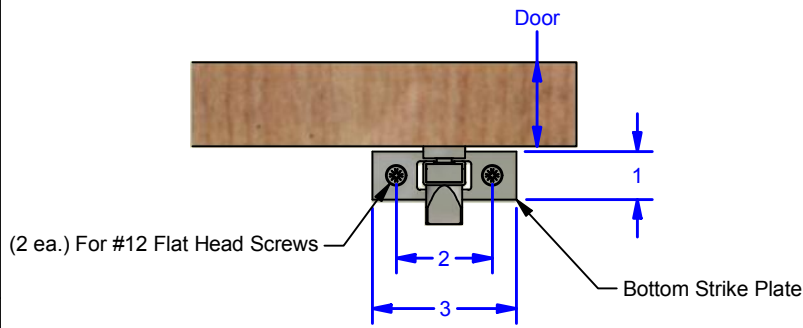
C

B

B

A

A



ALL DIMENSIONS IN INCHES

THE INFORMATION CONTAINED IN THIS DRAWING IS THE SOLE PROPERTY OF CROWN INDUSTRIAL. ANY REPRODUCTION IN PART OR AS A WHOLE WITHOUT THE WRITTEN PERMISSION OF CROWN INDUSTRIAL IS PROHIBITED.

DESCRIPTION:
Surface Bolt x 8"

FINISH:
689 Painted Aluminum or 695 Painted Dark Bronze

ID #:
0002813

MATERIAL:

STOCK PART #:
SB8

PCS: | REV:

DWG #: 0002360
DRAWN:BCM 10/14/2016
SHEET #2
File: 0002360.idw



CROWN INDUSTRIAL
So. San Francisco, Ca
(650) 952-5150
www.crown-industrial.com

4

3

2

1

