

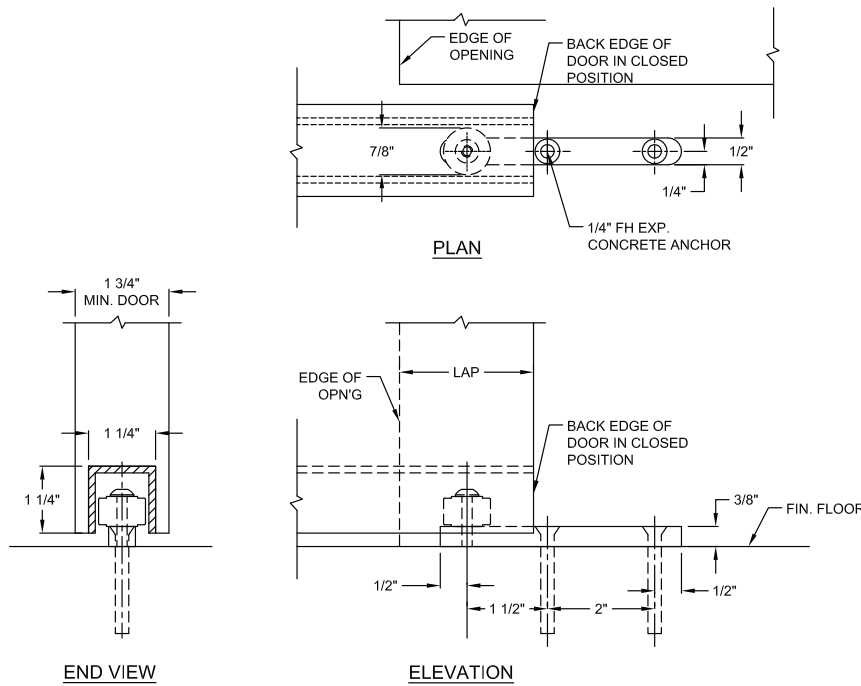
# Concealed Stay Roller & Channel

## NO. CRS-14 CONCEALED STAY ROLLER

### No. CRS-14 Concealed Stay Roller with No. CRSC-14 Concealed Stay Roller Channel

The CRS-14 stay roller is ideal for single sliding, bi-passing, and bi-parting doors where the roller must be concealed. Doors must be no less than 1-3/4" thick. Use the No. CTG-160 for doors that are less than 1-3/4" thick. For larger or thicker doors use the CRS-20. **\*Wall mounted option also available.**

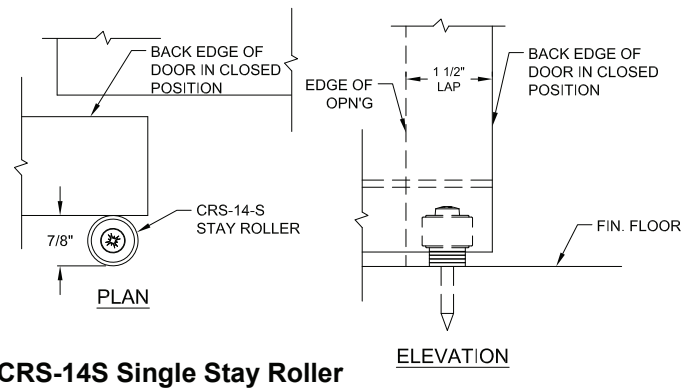
Note: The bottom of the door must be prepared with a 1-1/4"x1-1/4" continuous slot to accommodate the CRSC-14 aluminum channel.



**CRS-14 Concealed Stay Roller**

### No. CRS-14S Single Concealed Stay Roller

This stay roller is an alternative to the CRS-14. When used in conjunction with the CRSC-14 Concealed Stay Roller Channel, the CRS-14S is excellent for interior residential applications where no visible floor guide is acceptable. The CRS-14S can also be used as a surface mounted stay roller for thin lightweight doors. **\*Wall mounted option also available.**



**CRS-14S Single Stay Roller**

### No. CRS-20 Concealed Stay Roller with No. CRSC-20 Concealed Stay Roller Channel

The CRS-20 concealed stay roller is available for doors no less than 2-1/4" thick.

**\*Wall mounted option also available.**

Note: The bottom of the door must be prepared with a 1-1/2"x1-1/2" continuous slot to accommodate the CRSC-20 Aluminum channel.

\*Custom Concealed stay rollers are also available upon request.

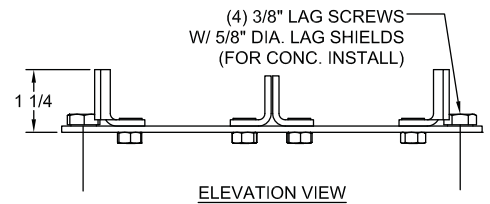
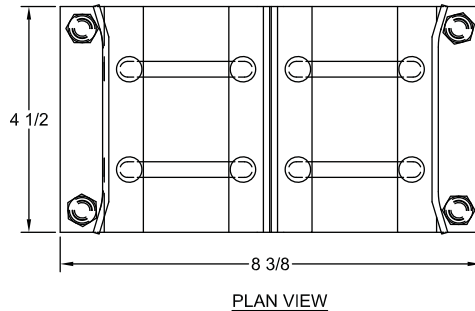
# Floor Guides & Concealed Stay Rollers

## NO. 173-4 PARALLEL DOUBLE DOOR GUIDE

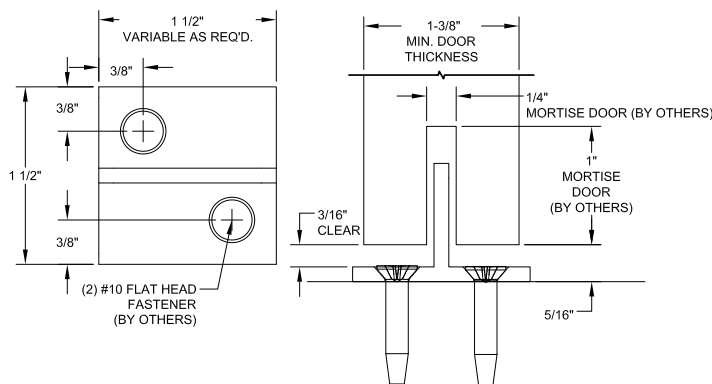
Used for bi-passing or parallel doors. Suitable with concrete or wood floors. Often used in garage door applications where one door moves behind another door.

Adjustable for doors from 1-1/2" to 3" thick.

Application: Bi-passing.  
Finish: Zinc plated.



## NO. CTG-160 CONCEALED "T" GUIDE



For light weight interior wood doors, the CTG-160 is a floor-mounted guide that is positioned under the door where the trailing edge of the door laps the jamb. The bottom of the door must be prepared with a 1/4"x1" continuous slot that runs the full width of the door. The CTG-160 guide is for doors less than 3'-6" in width and are no less than 1-3/8" thick.

Application: Bi-parting, Single Sliding, & Bi-passing doors.  
**\*Wall mounted option available.**

## NO. CTG-160HD HEAVY DUTY CONCEALED "T" GUIDE

For wood doors no less than 1" thick, the CTG-160HD with #CRSC-6 guide channel offers additional strength to the bottom of the door. This concealed guide is very similar in application as the #CTG-160.

Note: The bottom of the door must be prepared with a 3/4"x3/4" slot to accommodate the #CRSC-6 aluminum guide channel.

**\*Wall mounted option available.**

