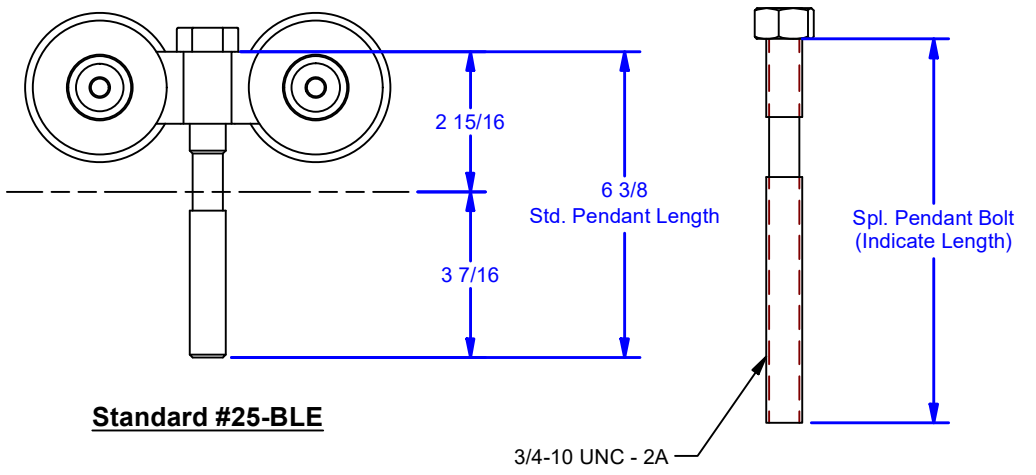
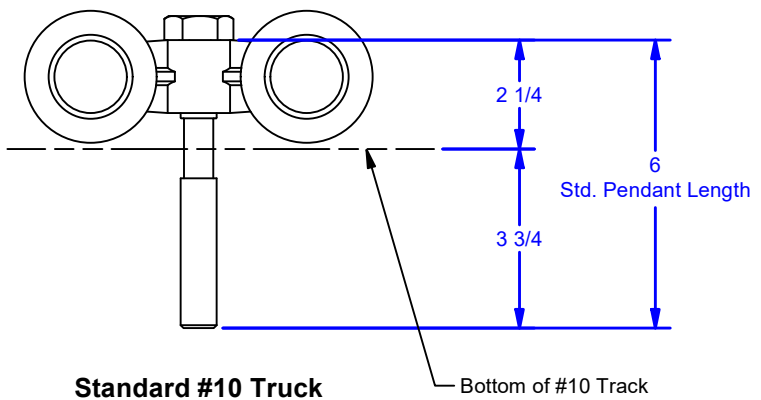
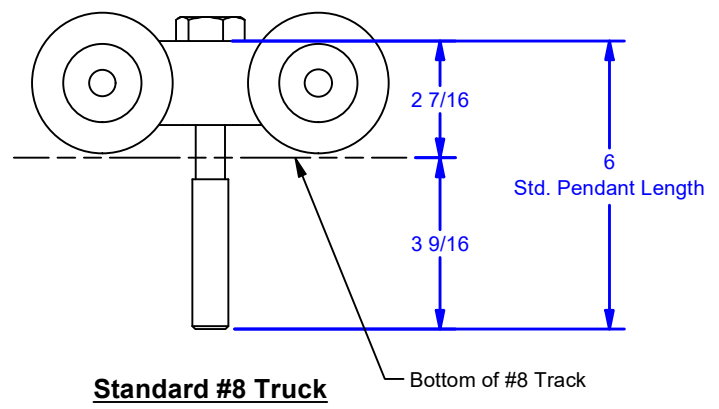
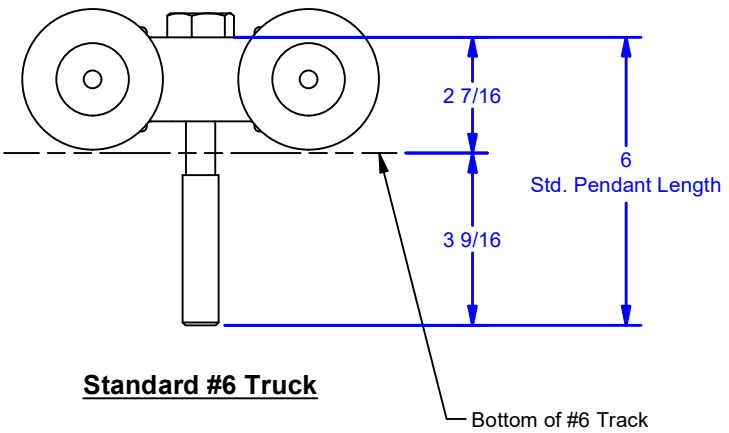


4 3 2 1



**ALL DIMENSIONS IN INCHES**

THE INFORMATION CONTAINED IN THIS DRAWING IS THE SOLE PROPERTY OF CROWN INDUSTRIAL. ANY REPRODUCTION IN PART OR AS A WHOLE WITHOUT THE WRITTEN PERMISSION OF CROWN INDUSTRIAL IS PROHIBITED.	ID #:	STOCK PART #:
	MATERIAL:	0002966
DESCRIPTION: Spl. Pendant Bolt, 3/4"-10 for #6, #8, #10, & #25BLE Track {Indicate Length}		
FINISH:	# PCS:	REV:



**CROWN INDUSTRIAL**  
So. San Francisco, Ca  
(650) 952-5150  
www.crown-industrial.com

DWG #: 0000854  
DRAWN:BCM 3/11/2016  
SHEET #1  
File: 0000854.idw

4 3 2 1

D  
C  
B  
A

D  
C  
B  
A