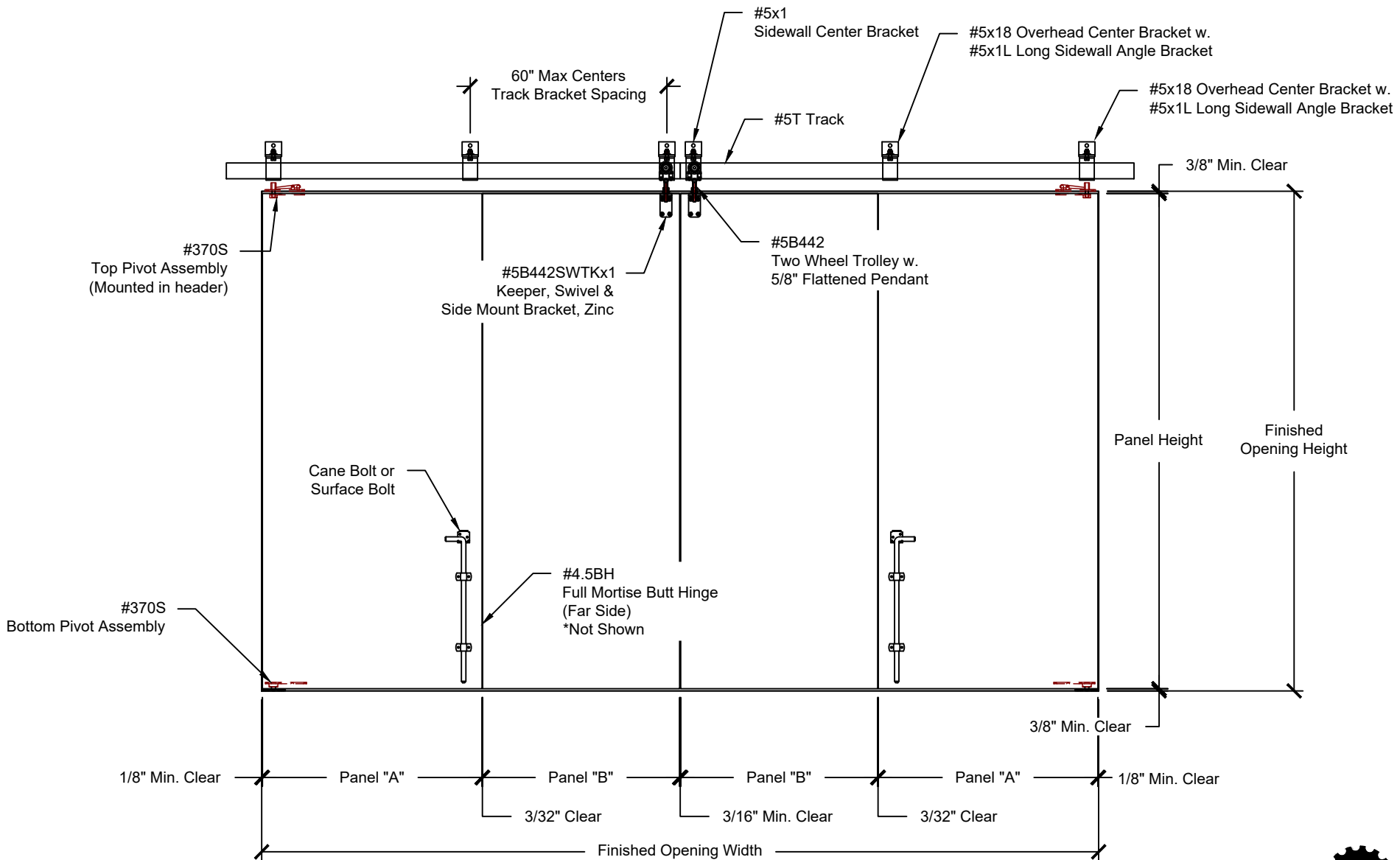


REVISIONS			
REV.	DESCRIPTION	DATE	APPROVED



-----  
 DWG #0003080  
 DESCIP: SIDEWALL MOUNT APPLICATION, 370S PIVOT ASSEMBLY  
 DRAWN:BCM 9-21-20 REV:-----  
 SCALE: 1/2" = 1'-0"  
 SHEET # 1  
 FILE:d:\vaultworkspace\designs\hardware\box track\#5\slidefold\0003080

1

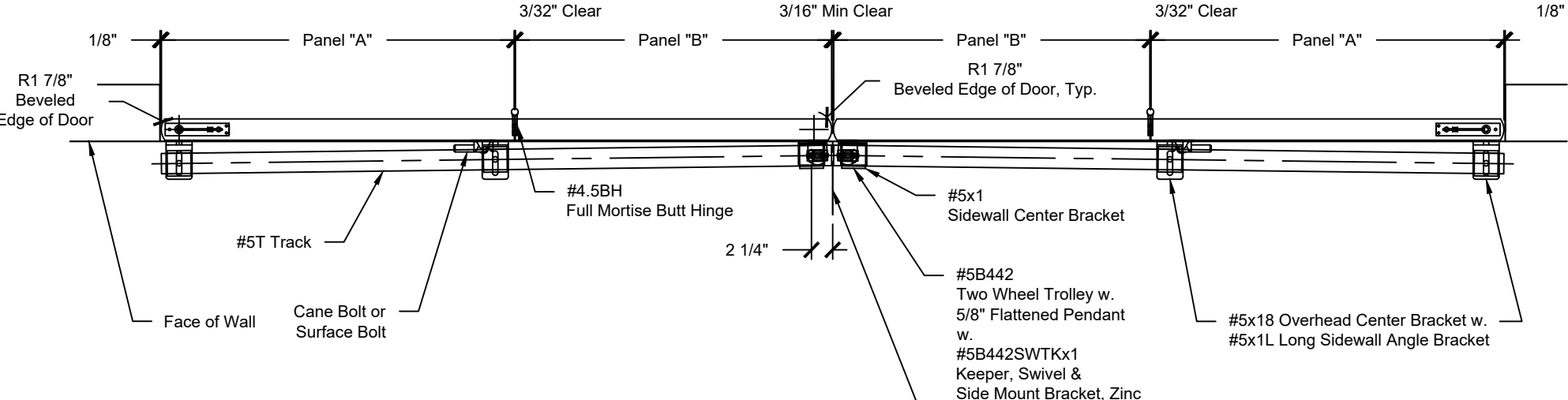
# Elevation View: Doors Fold Towards

THE INFORMATION CONTAINED IN THIS DRAWING IS THE SOLE PROPERTY OF CROWN INDUSTRIAL. ANY REPRODUCTION IN PART OR AS A WHOLE WITHOUT WRITTEN PERMISSION OF CROWN INDUSTRIAL IS PROHIBITED.

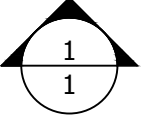
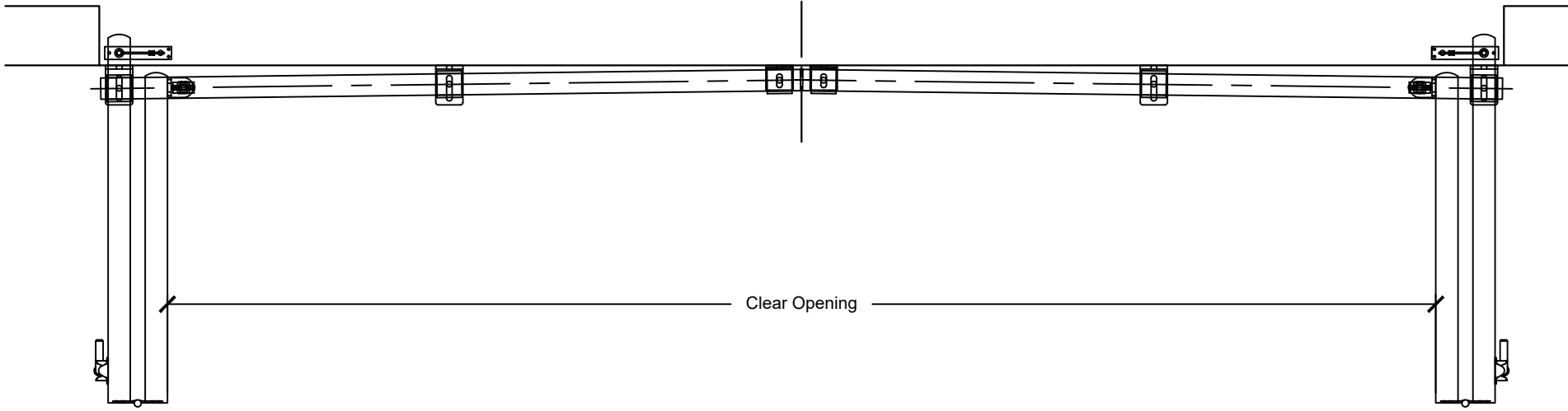


**CROWN INDUSTRIAL**  
 So. San Francisco, Ca  
 (650) 952-5150  
 www.crown-industrial.com

REVISIONS			
REV.	DESCRIPTION	DATE	APPROVED

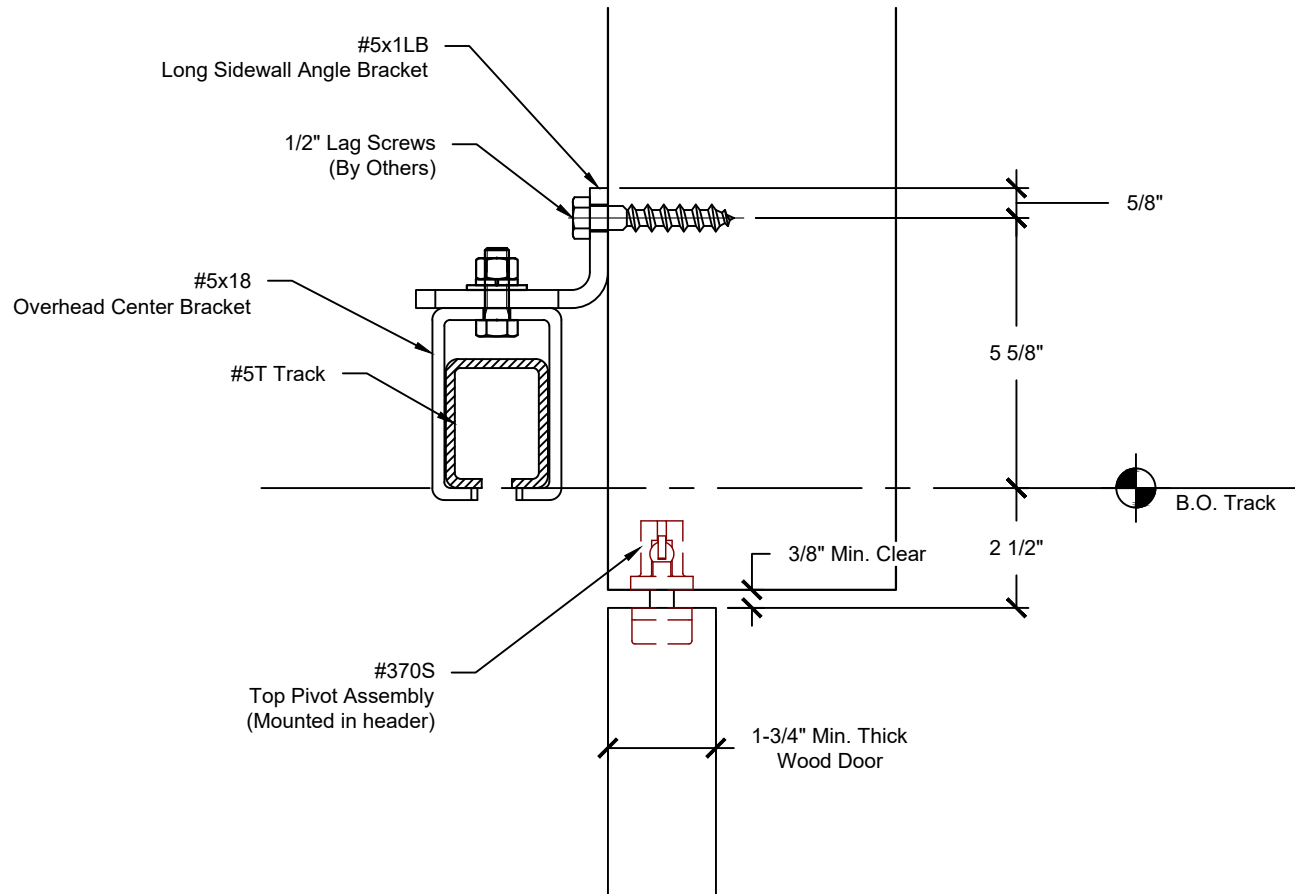


2 Plan View: Doors In Open



3 Plan View: Doors In Open

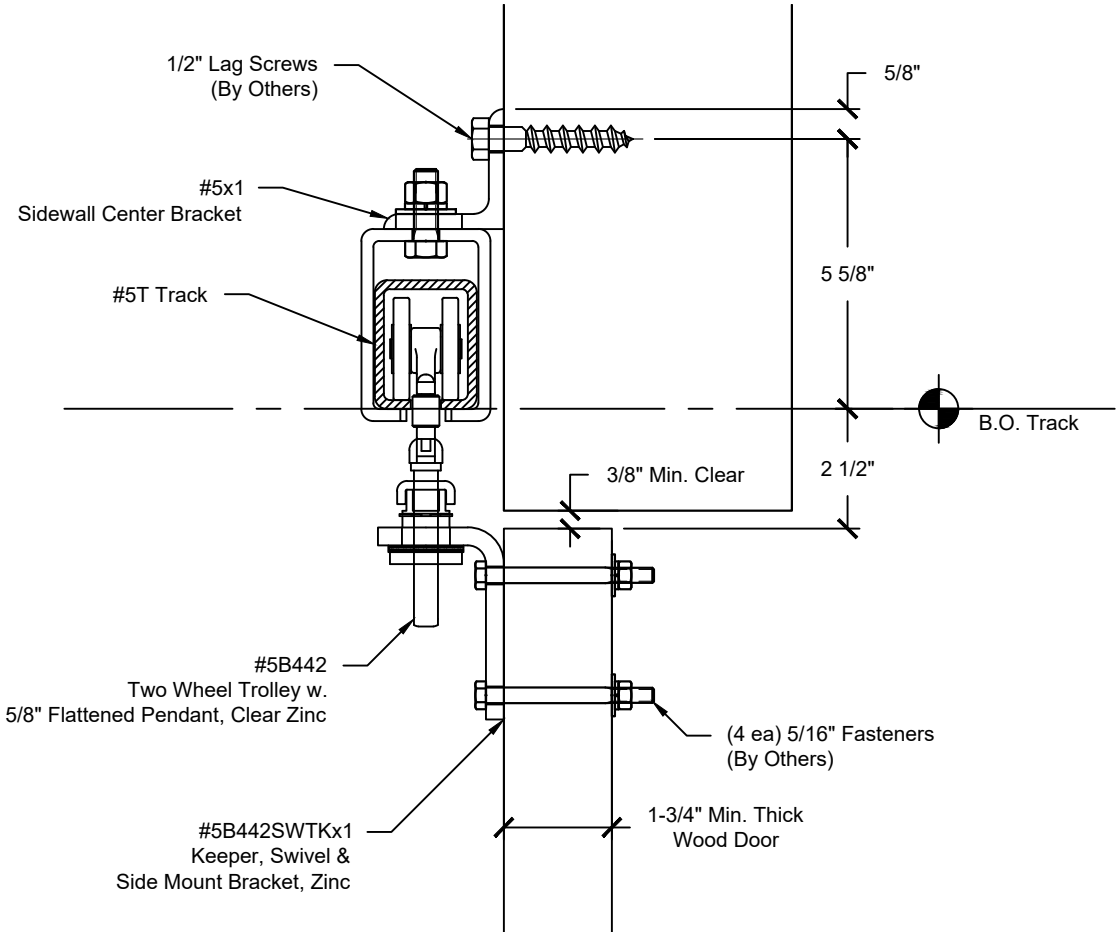
REVISIONS			
REV.	DESCRIPTION	DATE	APPROVED



**A** Head Section Detail @ Pivot

Scale: 3" = 1'-0"

REVISIONS			
REV.	DESCRIPTION	DATE	APPROVED



**B** Head Section Detail @ Trolley  
Scale: 3" = 1'-0"