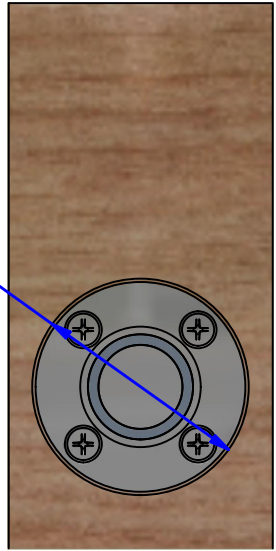
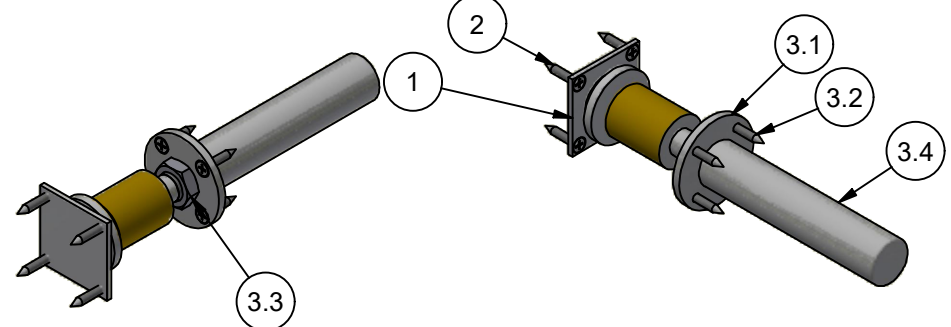
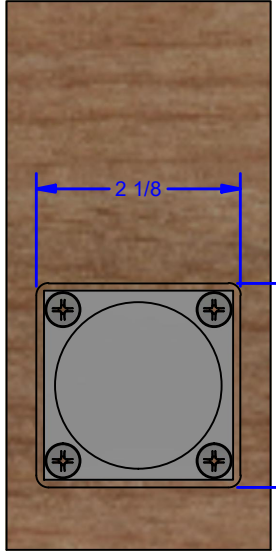
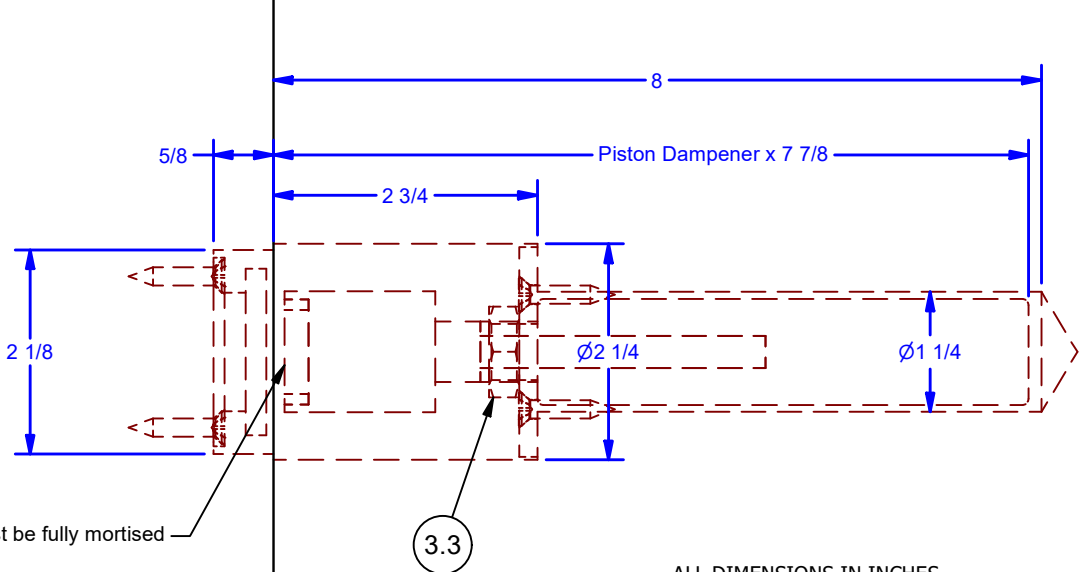


Parts List				
ITEM	QTY	ID #	DESCRIPTION	STOCK PART #
1	1	0002154-01	Counter Plate	CP1
2	4	FHPSMS No. 10-16 x 1 Zinc	Flat Head Phillips Sheet Metal Screw	
3	1	0003212	Recessed Door Piston Door Dampener	
3.1	1	0003211	Dampener Mount Plate Round	
3.2	4	FHPSMS No. 10-16 x 1 Zinc	Flat Head Phillips Sheet Metal Screw	
3.3	1	0002153	M16x1 Jamb Nut	
3.4	1	0002150-01	Piston Damper x 1.97" [50mm]	PD2.00



**Door Prep-Counterplate**

**Door Prep-Dampener**



<b>ALL DIMENSIONS IN INCHES</b>		ID #:	STOCK PART #:
THE INFORMATION CONTAINED IN THIS DRAWING IS THE SOLE PROPERTY OF CROWN INDUSTRIAL. ANY REPRODUCTION IN PART OR AS A WHOLE WITHOUT THE WRITTEN PERMISSION OF CROWN INDUSTRIAL IS PROHIBITED.		0003210	
DESCRIPTION:		MATERIAL:	
PDM Bi-Parting Wood Door			
FINISH:		# PCS:	REV:

**CROWN INDUSTRIAL**  
So. San Francisco, Ca  
(650) 952-5150  
www.crown-industrial.com