

4

3

2

1

D

C

B

A

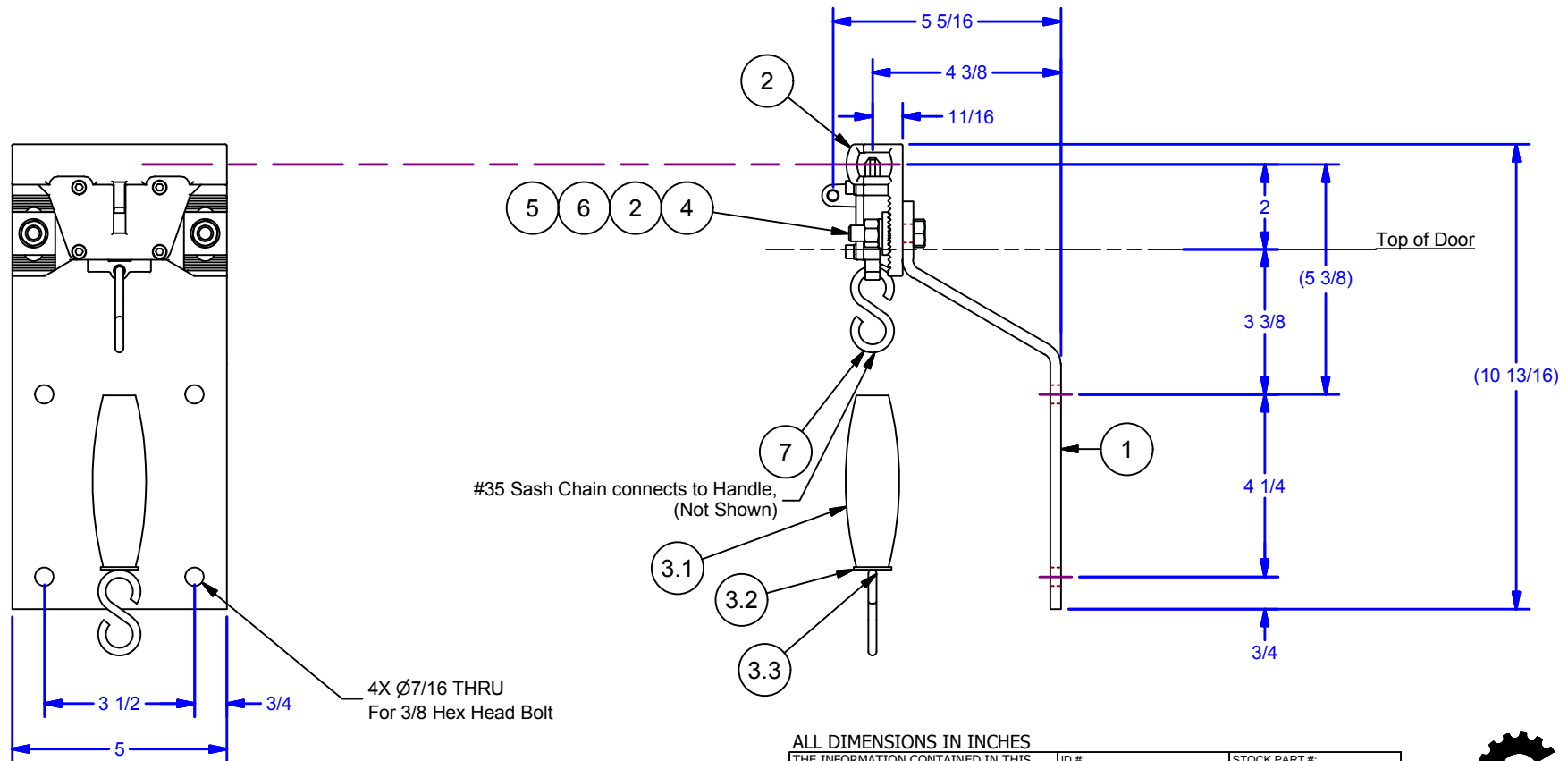
D

C

B

A

Parts List				
ITEM	QTY	PART #	DESCRIPTION	STOCK #
1	1	1265P154_1	Lower Door Bracket	067579
2	1	1250P269	Chain Latch Assembly	065860
3	1	1300P180	Wood Handle Assembly	
3.1	1	1300P180	Handle	69920
3.2	1	FW 5/16 - Regular - Type B zinc	Flat Washer-zinc	
3.3	1	90000025	3/16" S Hook	097910
4	2	HHMB 3/8-16 UNC - 1.5 Zinc -5	Hex Head Machine Bolt -Grade 5, Zinc	
5	2	HN 3/8 - 16 Zinc-5	Hex Nut - Grade 5, Zinc	
6	2	3/8 LW Zinc	Lock Washer, Zinc	
7	1	90000025	3/16" S Hook	097910
8	1	90000026	#35 Sash Chain 10'-0" Lng.	096720



## ALL DIMENSIONS IN INCHES

THE INFORMATION CONTAINED IN THIS DRAWING IS THE SOLE PROPERTY OF CROWN INDUSTRIAL. ANY REPRODUCTION IN PART OR AS A WHOLE WITHOUT THE WRITTEN PERMISSION OF CROWN INDUSTRIAL IS PROHIBITED.

DESCRIPTION:

Lower Door Bracket Assy

FINISH:

Ptd.

ID #:

1265P152

MATERIAL:

STOCK PART #:

067577

# PCS. REV:

DWG #: 1265P152  
DRAWN:BCM 9/15/2011  
SHEET #1

File: 1265P152.idw



**CROWN  
INDUSTRIAL**

So. San Francisco, Ca  
(650) 952-5150

www.crown-industrial.com