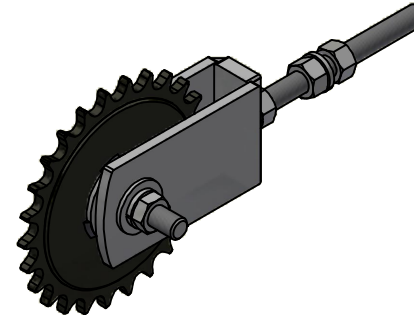
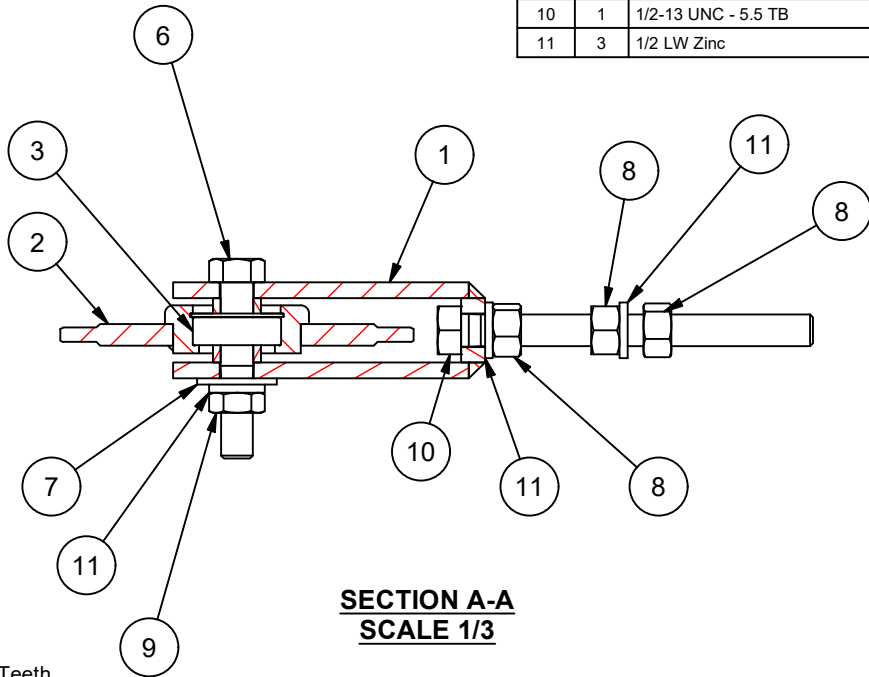
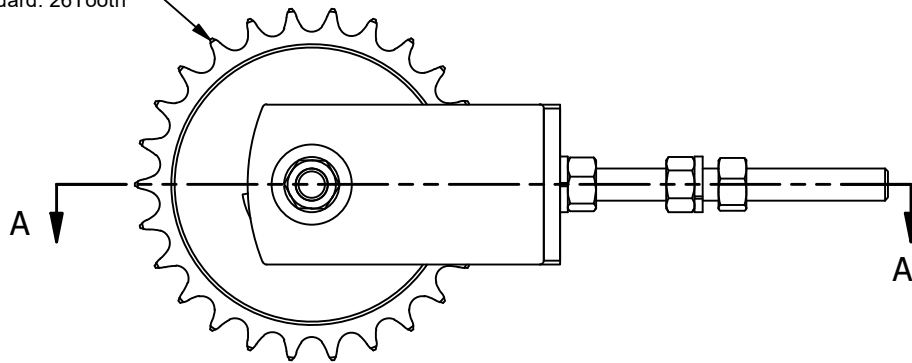


Parts List				
ITEM	QTY	PART #	DESCRIPTION	STOCK #
1	1	1265P59-1	Clevis Weldment	067190
2	1	1265P402	Idler Sprocket Weldment	067693
3	1	095570	Bearing	095570
4	1	099870	Snap Ring	099870
5	2	1265P60	Spacer	067200
6	1	HHMB 1/2-13 UNC - 2.75 -5 Zinc	Hex Head Machine Bolt -Grade 5, Zinc	
7	1	FW 1/2 - Regular - Type B zinc	Flat Washer-zinc	
8	3	HN 1/2 - 13 Zinc-5	Hex Nut - Grade 5, Zinc	
9	1	1/2 - 13 UNC JN	Jam Hex Nut - Grade 5, Zinc	
10	1	1/2-13 UNC - 5.5 TB	Hex Head Tap Bolt Grade 5 (HHMB)	
11	3	1/2 LW Zinc	Lock Washer, Zinc	



Confirm # of Teeth  
Standard: 26Tooth



**ALL DIMENSIONS IN INCHES**

THE INFORMATION CONTAINED IN THIS DRAWING IS THE SOLE PROPERTY OF CROWN INDUSTRIAL. ANY REPRODUCTION IN PART OR AS A WHOLE WITHOUT THE WRITTEN PERMISSION OF CROWN INDUSTRIAL IS PROHIBITED.

DESCRIPTION:

Idler Assembly

FINISH:

ID #:  
1265P403

MATERIAL:

STOCK PART #:  
067694

# PCS: | REV:  
| A

DWG #: 1265P404  
DRAWN: BCM 10/7/2010  
SHEET #5

File: 1265P404.idw



**CROWN INDUSTRIAL**

So. San Francisco, Ca  
(650) 952-5150

www.crown-industrial.com