

4

3

2

1

D

D

C

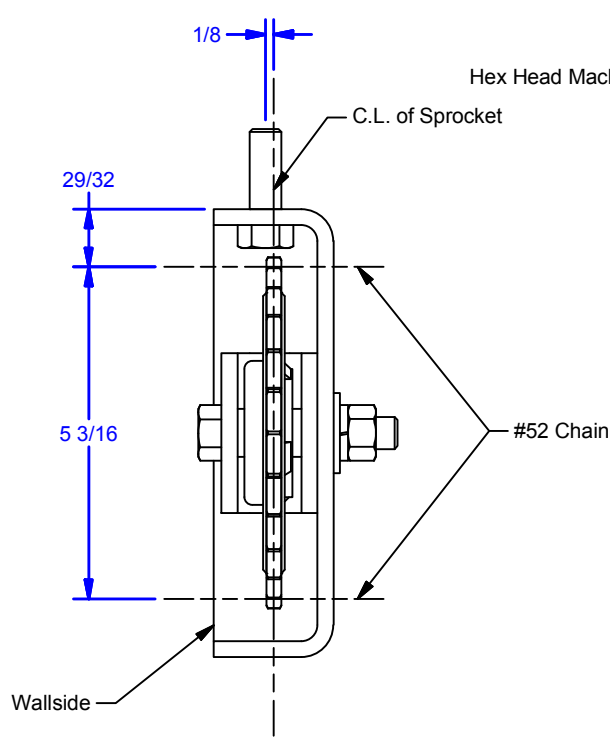
C

B

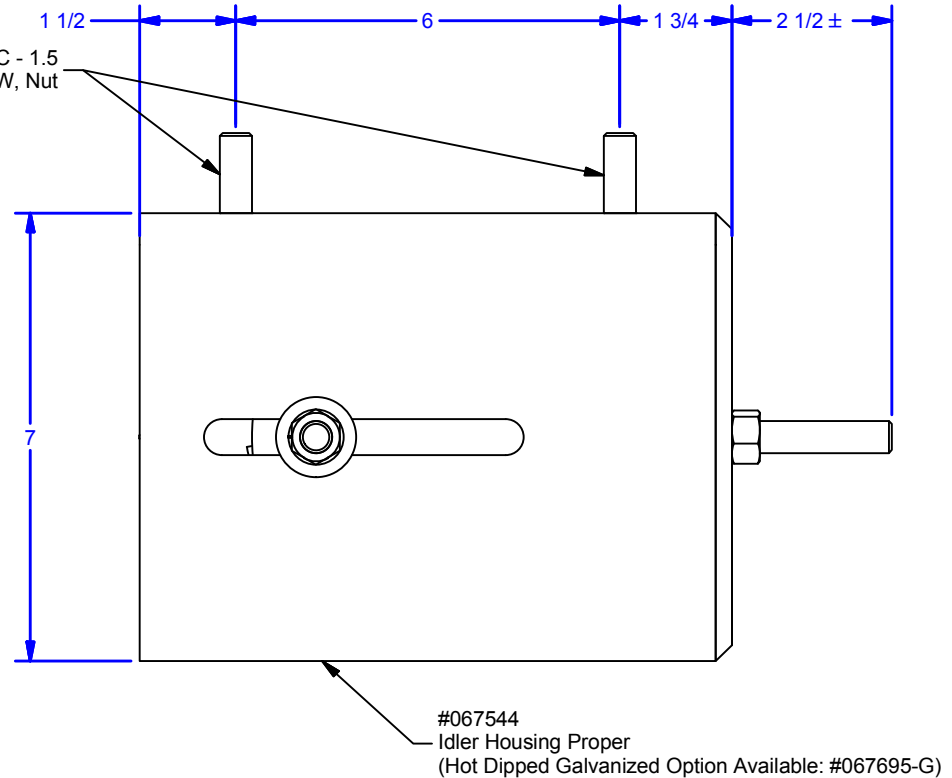
B

A

A



Left Hand, Opposite As Shown



ALL DIMENSIONS IN INCHES

THE INFORMATION CONTAINED IN THIS DRAWING IS THE SOLE PROPERTY OF CROWN INDUSTRIAL. ANY REPRODUCTION IN PART OR AS A WHOLE WITHOUT THE WRITTEN PERMISSION OF CROWN INDUSTRIAL IS PROHIBITED.	ID #:	1265P404-03	STOCK PART #:	067695-RH
	MATERIAL:			
DESCRIPTION: Idler Housing Assembly, Right Hand				
FINISH:			# PCS:	REV:
			1	



**CROWN INDUSTRIAL**

So. San Francisco, Ca  
(650) 952-5150

www.crown-industrial.com

DWG #: 1265P404  
DRAWN:BCM 10/7/2010  
SHEET #1

File: 1265P404.idw

4

3

2

1

A

A