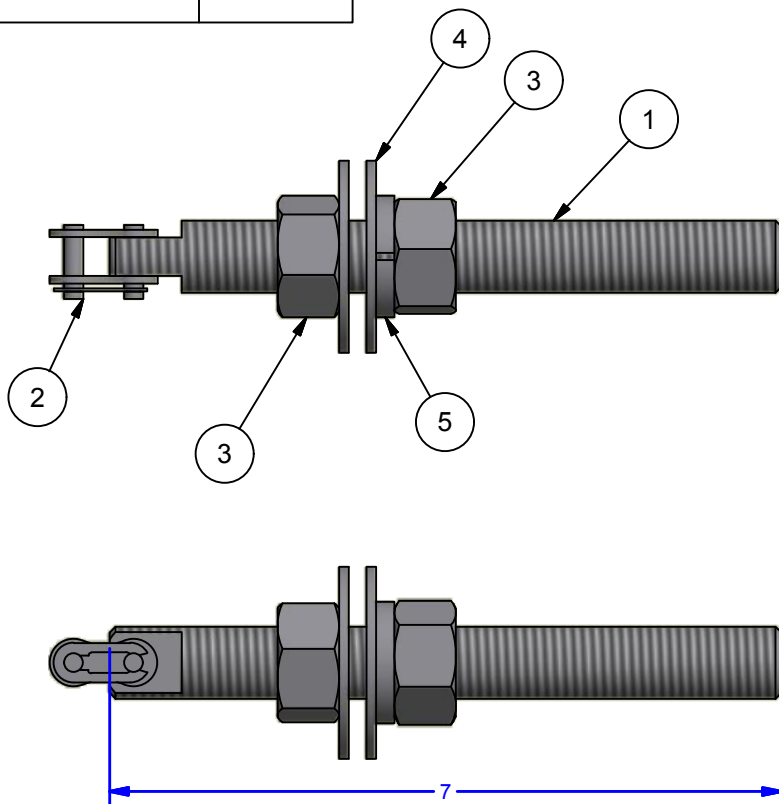


Parts List				
ITEM	QTY	PART #	DESCRIPTION	STOCK #
1	1	1295P19	#52 Chain Adjustment Screw	068240-Z
2	1	098312	Connecting Link, #52 Chain	098312
3	2	N 3/4 - 10	Hex Nut - Grade 5	
4	2	3/4 - Regular - Type B	Flat Washer (FW)	
5	1	3/4 LW Zinc	Lock Washer, Zinc	



ALL DIMENSIONS IN INCHES

THE INFORMATION CONTAINED IN THIS DRAWING IS THE SOLE PROPERTY OF CROWN INDUSTRIAL. ANY REPRODUCTION IN PART OR AS A WHOLE WITHOUT THE WRITTEN PERMISSION OF CROWN INDUSTRIAL IS PROHIBITED.

DESCRIPTION:

Chain Adjustment Screw Assembly

FINISH:

Clear Zinc

ID #:
1295P366

MATERIAL:

STOCK PART #:
068240

PCS | REV:

DWG #: 1295P371
DRAWN:BCM 9/30/2016
SHEET #12

File: 1295P371.idw



CROWN INDUSTRIAL

So. San Francisco, Ca
(650) 952-5150

www.crown-industrial.com