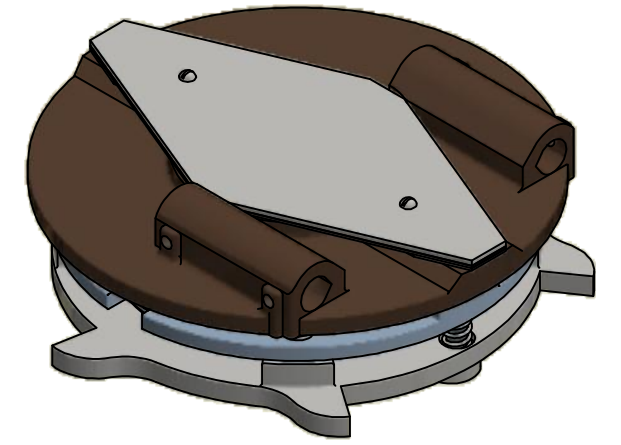
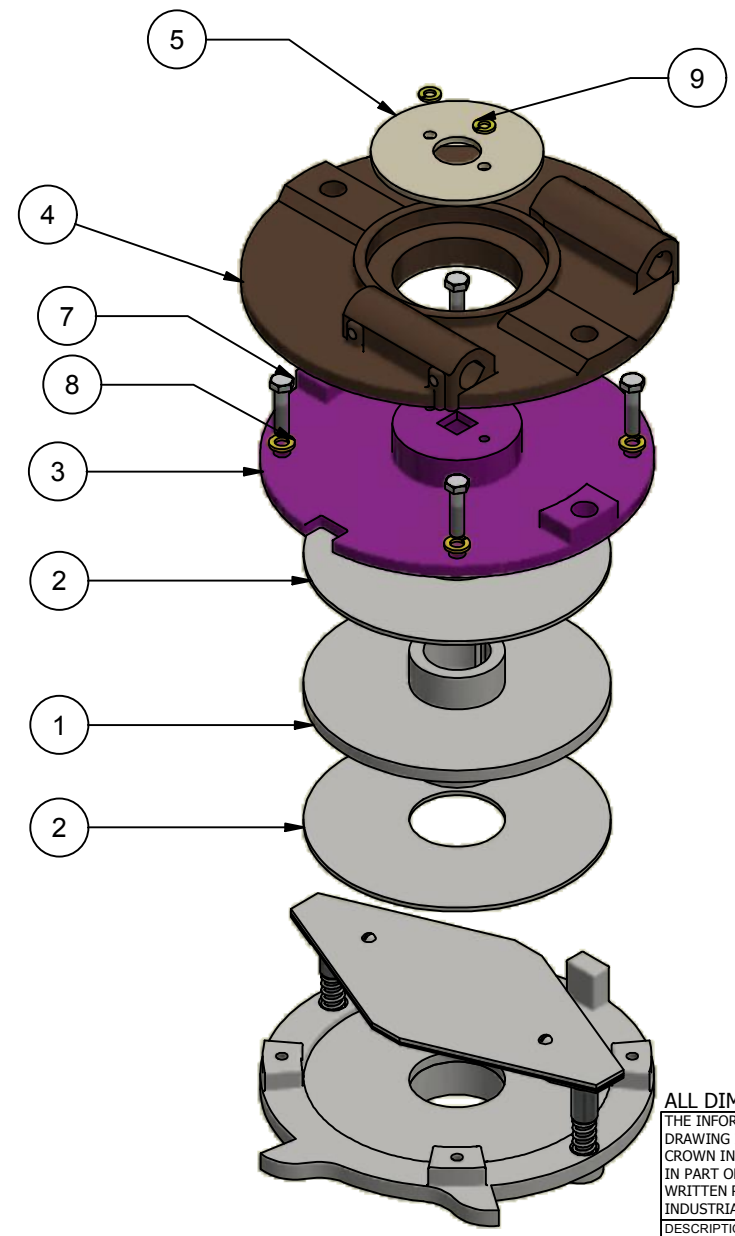
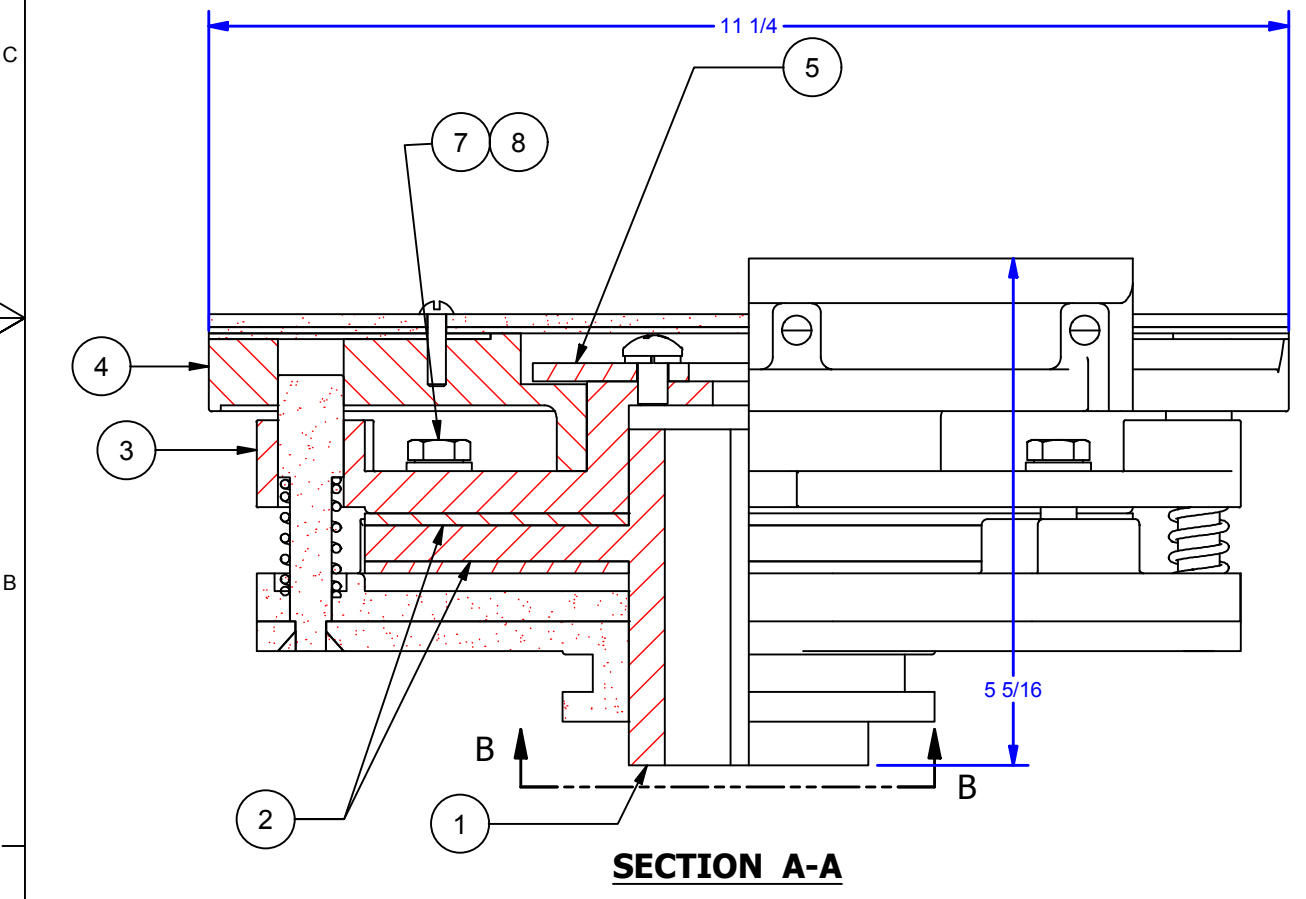


Parts List				
ITEM	QTY	ID #	DESCRIPTION	STOCK PART #
1	1	1500P213	Driver Disc 1500XHD	071211
2	2	1500P73	1500 Extra Heavy Duty Clutch Disc	072130
3	1	1500P65	1500-1 HP Top Clutch Plate	072040
4	1	1500P64	1500-1H Arm Plate	072030
5	1	1500P75	1500-1HP Retaining Disc	072150
7	4	HHCS 3/8-16 UNC - 1.5 Zinc-5	Hex Head Cap Screw - Grade 5, Zinc	
8	4	3/8 LW Zinc	Lock Washer, Zinc	
9	2	5/16 LW Zinc	Lock Washer, Zinc	



ALL DIMENSIONS IN INCHES

THE INFORMATION CONTAINED IN THIS DRAWING IS THE SOLE PROPERTY OF CROWN INDUSTRIAL. ANY REPRODUCTION IN PART OR AS A WHOLE WITHOUT THE WRITTEN PERMISSION OF CROWN INDUSTRIAL IS PROHIBITED.

ID #:	1500P215-01	STOCK PART #:	071213-NH
DESCRIPTION:			
1HP Clutch Assembly (Non Handed)			
FINISH:	VENDOR:	VENDOR PART#:	# PCS. REV:
PTD.			

DWG #: 1500 P215  
 DRAWN: BCM 12/24/2008  
 SHEET #10  
 File: 1500P215.idw

