

4

3

2

1

D

D

C

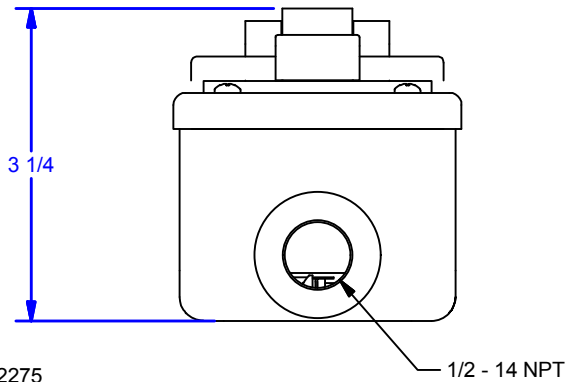
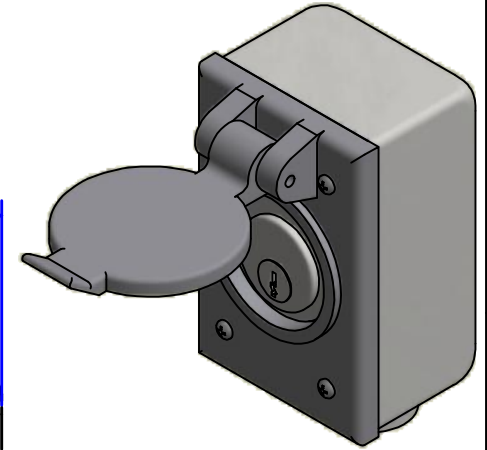
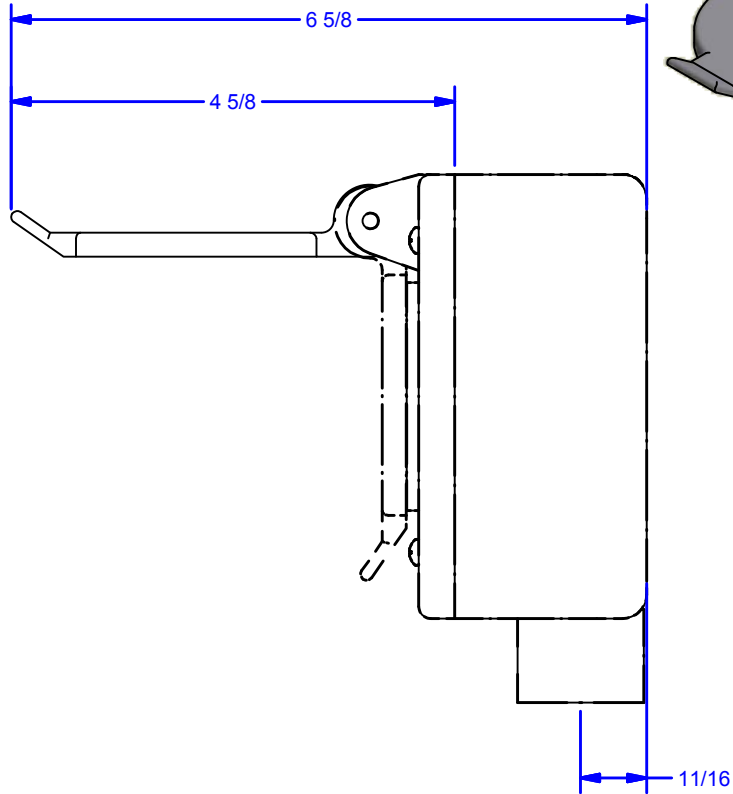
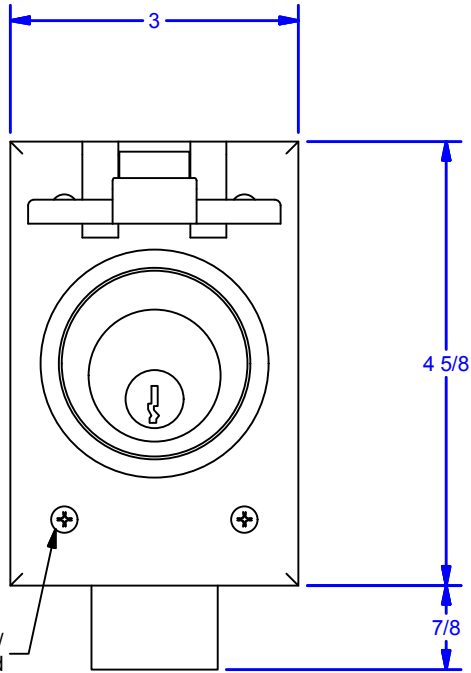
C

B

B

A

A



DWG #: 0002275
 DRAWN:BCM 11/1/2016
 SHEET #7
 File: 0002275.idw

ALL DIMENSIONS IN INCHES

THE INFORMATION CONTAINED IN THIS DRAWING IS THE SOLE PROPERTY OF CROWN INDUSTRIAL. ANY REPRODUCTION IN PART OR AS A WHOLE WITHOUT THE WRITTEN PERMISSION OF CROWN INDUSTRIAL IS PROHIBITED.	ID #:	1500P128	STOCK PART #:	071360
	MATERIAL:			
DESCRIPTION: 1500-K Keyswitch:DPDT				
FINISH:	# PCS:		REV:	
	1			



CROWN INDUSTRIAL
 So. San Francisco, Ca
 (650) 952-5150
 www.crown-industrial.com

4

3

2

1

