

4

3

2

1

D

D

C

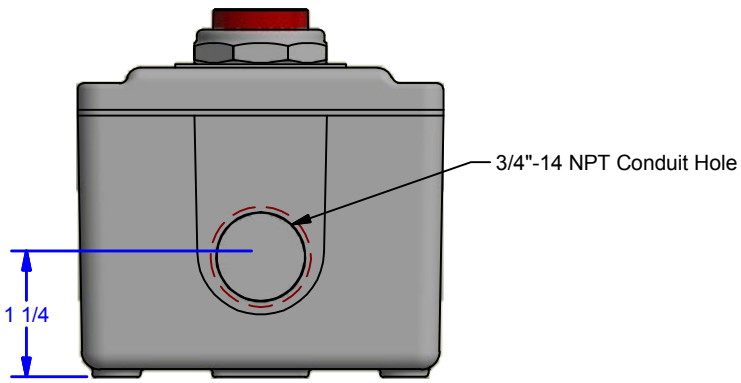
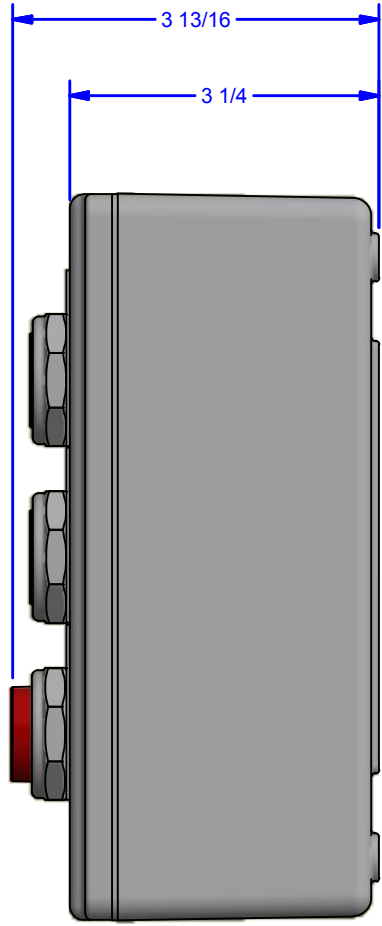
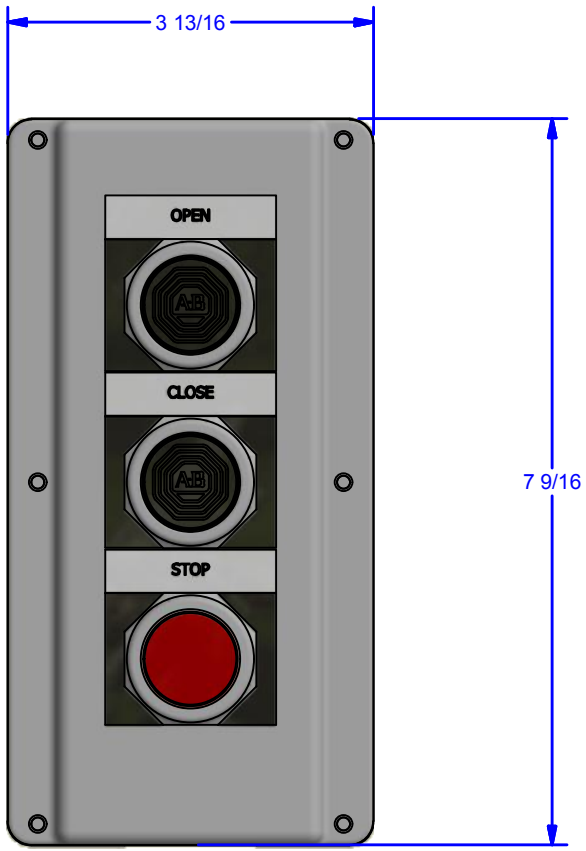
C

B

B

A

A



ALL DIMENSIONS IN INCHES

THE INFORMATION CONTAINED IN THIS DRAWING IS THE SOLE PROPERTY OF CROWN INDUSTRIAL. ANY REPRODUCTION IN PART OR AS A WHOLE WITHOUT THE WRITTEN PERMISSION OF CROWN INDUSTRIAL IS PROHIBITED.	ID #:	90000123	STOCK PART #:	071414
	MATERIAL:			
DESCRIPTION: Momentary Press Open/Close/Stop Push Button Station Nema 4 AB				
FINISH:	# PCS:	1	REV:	



CROWN INDUSTRIAL
 So. San Francisco, Ca
 (650) 952-5150
www.crown-industrial.com

DWG #: 0002283
 DRAWN:BCM 6/2/2017
 SHEET #8
 File: 0002283.idw

4

3

2

1