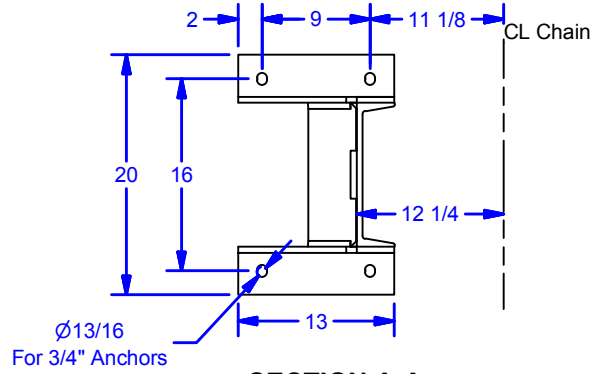
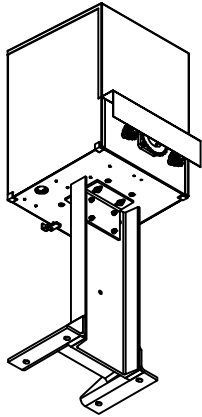


4

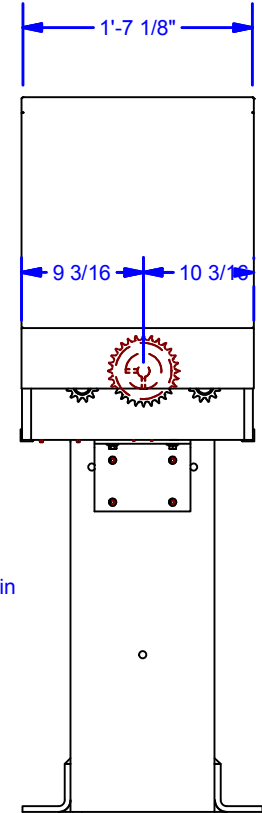
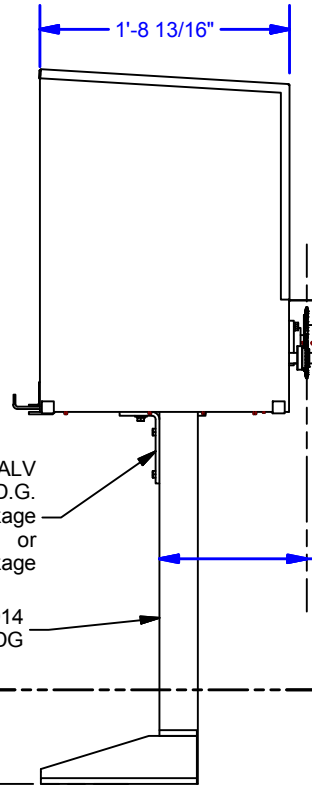
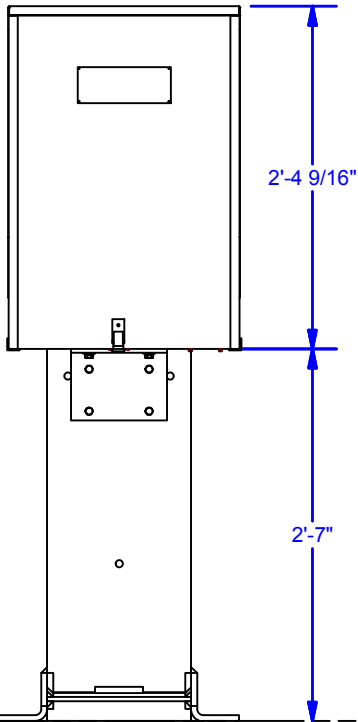
3

2

1



SECTION A-A



#068090-GALV
Support Angle, H.D.G.
Supplied in #1295-SEW: Safety Edge Package
or
#1295-GATEACC: Gate Accessory Package

#072914
Gate Operator Mounting Column, HDG

12 1/4 to CL of Chain

ALL DIMENSIONS IN INCHES

THE INFORMATION CONTAINED IN THIS DRAWING IS THE SOLE PROPERTY OF CROWN INDUSTRIAL. ANY REPRODUCTION IN PART OR AS A WHOLE WITHOUT THE WRITTEN PERMISSION OF CROWN INDUSTRIAL IS PROHIBITED.

PART #: 1295P381

STOCK #: 072914

MATERIAL:

DESCRIPTION:

1295 Operator w. Pad Mount Column

FINISH: H.D. Galv.

# PCS:	1
REV:	



CROWN INDUSTRIAL

So. San Francisco, Ca
(650) 952-5150

www.crown-industrial.com

DWG #: 1510P25
DRAWN:BCM 10/27/2017
SHEET #1

File: 1510P25.idw

4

3

2

1

A

A

A

A