

\*Includes (8 ea.) #12 x 1-1/2"  
Flat Slotted Head Wood Screws, zinc

\*See 1025.00026 Latch for Right Hand  
(Opposite as shown)

**Available Finishes:**  
 1025.00019: Left Hand, Powder Coat Pebble Tan  
 1025.00019SC: Left Hand, Powder Coat Black  
 1025.00026: Right Hand, Powder Coat Pebble Tan  
 1025.00026SC: Right Hand, Powder Coat Black

DWG #: 1025  
 DRAWN:BCM 2/17/2015  
 SHEET #1  
 File: 0001885.idw

**ALL DIMENSIONS IN INCHES**

THE INFORMATION CONTAINED IN THIS DRAWING IS THE SOLE PROPERTY OF CROWN INDUSTRIAL. ANY REPRODUCTION IN PART OR AS A WHOLE WITHOUT THE WRITTEN PERMISSION OF CROWN INDUSTRIAL IS PROHIBITED.	ID #:	STOCK PART #:
	0001882	1025.00019
DESCRIPTION:		
Door Latch, Left Hand		
FINISH:	# PCS:	REV:



**CROWN INDUSTRIAL**  
 So. San Francisco, Ca  
 (650) 952-5150  
 www.crown-industrial.com

4

3

2

1

D

D

C

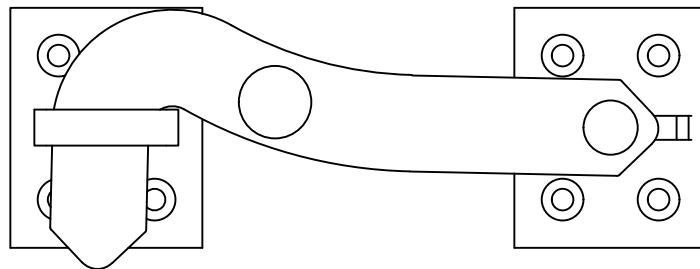
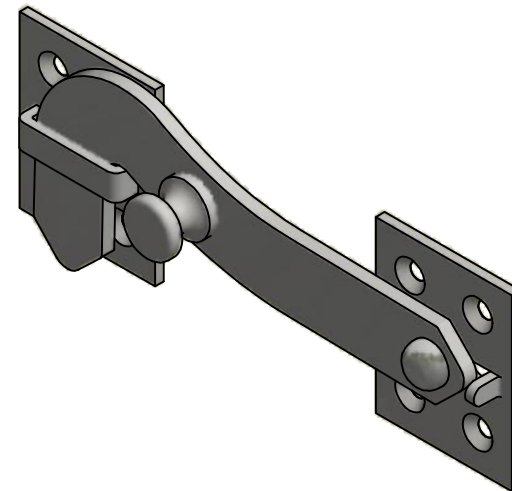
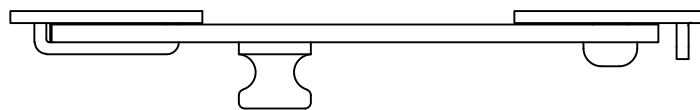
C

B

B

A

A



\*Includes (8 ea.) #12 x 1-1/2"  
Flat Slotted Head Wood Screws, zinc

**Available Finishes:**

- 1025.00019: Left Hand, Powder Coat Pebble Tan
- 1025.00019SC: Left Hand, Powder Coat Black
- 1025.00026: Right Hand, Powder Coat Pebble Tan
- 1025.00026SC: Right Hand, Powder Coat Black

**ALL DIMENSIONS IN INCHES**

THE INFORMATION CONTAINED IN THIS DRAWING IS THE SOLE PROPERTY OF CROWN INDUSTRIAL. ANY REPRODUCTION IN PART OR AS A WHOLE WITHOUT THE WRITTEN PERMISSION OF CROWN INDUSTRIAL IS PROHIBITED.	ID #:	STOCK PART #:
	0001883	1025.00026
MATERIAL:		
DESCRIPTION:		
Door Latch, Right Hand		
FINISH:	# PCS:	REV:



**CROWN INDUSTRIAL**

So. San Francisco, Ca  
(650) 952-5150

[www.crown-industrial.com](http://www.crown-industrial.com)

DWG #: 1025  
DRAWN:BCM 2/17/2015  
SHEET #2

File: 0001885.idw

4

3

2

1